



SHEYENNE / WESTGO

GOLD SERIES

8" AND 10"

**Owner / Operator Manual
& Parts Book**

701 Lenham Ave. - P.O. Box 647 – Cooperstown, ND 58425
(701) 797-2700 – Fax (701) 797-2584 – www.sheyennemfg.com

This manual includes the following sizes, models, lengths and drive options

8"

10"

GS15

GS20

GS15

GS20

Lengths

30'	PTO, ETM, LGD	PTO, ETM, LGD	PTO, ETM, LGD
40'	PTO, ETM, LGD, Belt	PTO, ETM, LGD, Belt	PTO, ETM
50'	PTO, ETM, LGD, Belt	PTO, ETM, LGD, Belt	Not Available
56'	PTO, ETM	PTO, ETM	Not Available
60'	PTO, ETM	PTO, ETM	PTO, ETM
70'	Not Available	Not Available	PTO, ETM

Descriptions:

8" and 10" - Nominal auger diameter in inches

GS15 - Gold Series auger, flighting without hanger bearing support

GS20 - Gold Series auger, flighting with hanger bearing support

Lengths - Nominal auger length in feet

PTO - Tractor power take off

ETM - Electric motor

LGD - Low gas drive

Belt - Belt drive, PTO powered

Note: Special length augers ordered by request

Note: Special option - Walking tandem wheels available, see page 96

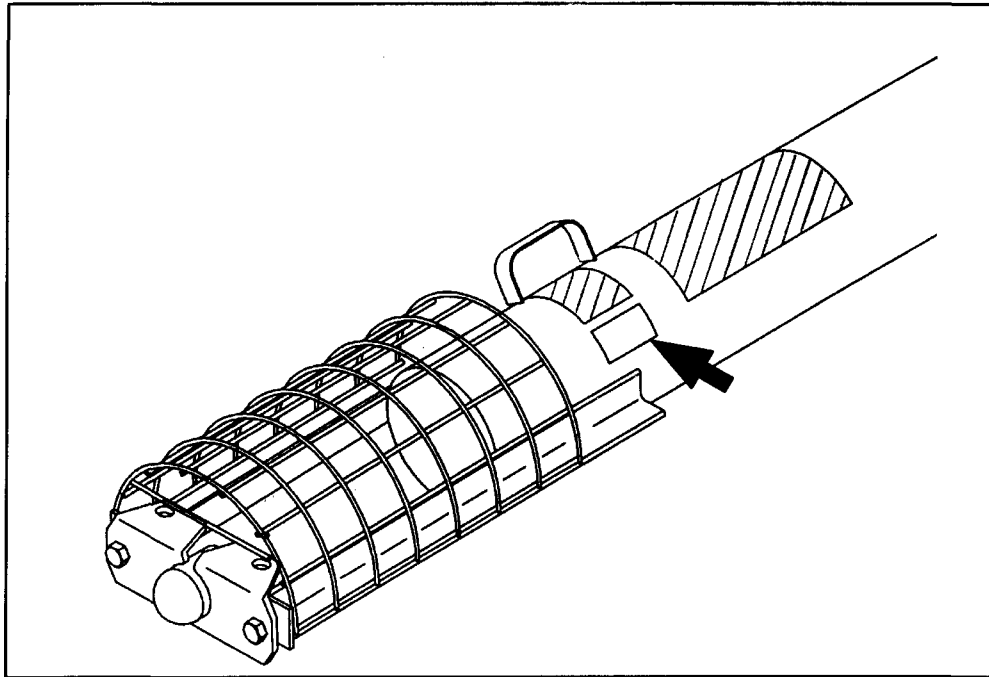
ATTENTION DEALER

Be sure the OWNERS MANUAL remains with the auger when sold. It contains important procedures for safe operation of the auger.

SERIAL NUMBER LOCATION

Always give your dealer the serial number of your Sheyenne/Westgo Portable Auger when ordering parts or requesting service or other information.

The serial number plate is located as indicated. For future reference, please write the serial number in the space provided below and complete the other information.



SERIAL NUMBER LOCATION

Model Number _____

Serial Number _____

Production Year _____

Please enter information below and **SAVE FOR FUTURE REFERENCE**

AUGER WARRANTY

SHEYENNE TOOLING & MANUFACTURING warrants each new product to be free from defects in material and workmanship. This warranty is applicable only for the normal service life expectancy of the machine or components, not to exceed **twelve consecutive months** from the date of delivery of the new SHEYENNE TOOLING & MANUFACTURING product to the original purchaser.

Genuine SHEYENNE TOOLING & MANUFACTURING replacement parts and components will be warranted for 90 days from date of purchase, or the remainder of the original equipment warranty period, whichever is longer.

Under no circumstances will it cover any merchandise or components thereof, which in the opinion of the company, has been subject to negligent handling, misuse, alteration, an accident, or if repairs have been made with parts other than those obtainable through SHEYENNE TOOLING & MANUFACTURING.

Our obligation under this warranty shall be limited to repairing or replacing, free of charge to the original purchaser, any part that in our judgment shall show evidence of such defect, provided further that such part shall be returned within thirty (30) days from date of failure to SHEYENNE TOOLING & MANUFACTURING.

This warranty shall not be interpreted to render us liable for injury or damages of any kind or nature to person or property.

Except as set forth above, **SHEYENNE TOOLING & MANUFACTURING shall have no obligation of liability of any kind on account of any of its equipment and shall not be liable for special or consequential damage. SHEYENNE TOOLING & MANUFACTURING makes no other warranty, express or implied, and, specifically, SHEYENNE TOOLING & MANUFACTURING disclaims any implied warranty of merchantability of fitness for a particular purpose. Some states or provinces do not permit limitations or exclusions of implied warranties of incidental or consequential damages, so the limitations or exclusions in this warranty may not apply.**

This warranty is subject to any existing conditions of supply, which may directly affect our ability to obtain materials or manufacture replacement parts.

SHEYENNE TOOLING & MANUFACTURING reserves the right to make improvements in design or changes in specifications at any time, without incurring any obligations to owners of units previously sold.

No one is authorized to alter, modify or enlarge neither this warranty nor the exclusions, limitations and reservations.

I have read and understand the above instructions and warranty. **Warranty is invalid until all three copies are completed and signed. Customer copy retained, dealer copy in dealer's possession and manufacturer's copy returned.**

Date Purchased _____

Dealership _____

Model Number _____

Serial Number _____

Customer Signature _____

Date _____

Dealer Signature _____

Date _____

Customer Copy

(Keep in this book)

Please enter information below and **SAVE FOR FUTURE REFERENCE**

AUGER WARRANTY

SHEYENNE TOOLING & MANUFACTURING warrants each new product to be free from defects in material and workmanship. This warranty is applicable only for the normal service life expectancy of the machine or components, not to exceed **twelve consecutive months** from the date of delivery of the new SHEYENNE TOOLING & MANUFACTURING product to the original purchaser.

Genuine SHEYENNE TOOLING & MANUFACTURING replacement parts and components will be warranted for 90 days from date of purchase, or the remainder of the original equipment warranty period, whichever is longer.

Under no circumstances will it cover any merchandise or components thereof, which in the opinion of the company, has been subject to negligent handling, misuse, alteration, an accident, or if repairs have been made with parts other than those obtainable through SHEYENNE TOOLING & MANUFACTURING.

Our obligation under this warranty shall be limited to repairing or replacing, free of charge to the original purchaser, any part that in our judgment shall show evidence of such defect, provided further that such part shall be returned within thirty (30) days from date of failure to SHEYENNE TOOLING & MANUFACTURING.

This warranty shall not be interpreted to render us liable for injury or damages of any kind or nature to person or property.

Except as set forth above, **SHEYENNE TOOLING & MANUFACTURING shall have no obligation of liability of any kind on account of any of its equipment and shall not be liable for special or consequential damage. SHEYENNE TOOLING & MANUFACTURING makes no other warranty, express or implied, and, specifically, SHEYENNE TOOLING & MANUFACTURING disclaims any implied warranty of merchantability of fitness for a particular purpose. Some states or provinces do not permit limitations or exclusions of implied warranties of incidental or consequential damages, so the limitations or exclusions in this warranty may not apply.**

This warranty is subject to any existing conditions of supply, which may directly affect our ability to obtain materials or manufacture replacement parts.

SHEYENNE TOOLING & MANUFACTURING reserves the right to make improvements in design or changes in specifications at any time, without incurring any obligations to owners of units previously sold.

No one is authorized to alter, modify or enlarge neither this warranty nor the exclusions, limitations and reservations.

I have read and understand the above instructions and warranty. **Warranty is invalid until all three copies are completed and signed. Customer copy retained, dealer copy in dealer's possession and manufacturer's copy returned.**

Date Purchased _____

Dealership _____

Model Number _____

Serial Number _____

Customer Signature _____

Date _____

Dealer Signature _____

Date _____

Dealer Copy



Manufacturer Copy

PLEASE ENTER INFORMATION BELOW AND RETURN TO SHEYENNE TOOLING AND MANUFACTURING

AUGER WARRANTY

SHEYENNE TOOLING & MANUFACTURING warrants each new product to be free from defects in material and workmanship. This warranty is applicable only for the normal service life expectancy of the machine or components, not to exceed twelve consecutive months from the date of delivery of the new SHEYENNE TOOLING & MANUFACTURING product to the original purchaser.

Genuine SHEYENNE TOOLING & MANUFACTURING replacement parts and components will be warranted for 90 days from date of purchase, or the remainder of the original equipment warranty period, whichever is longer. Warranty is not applicable for normal wear and usage.

Under no circumstances will it cover any merchandise or components thereof, which in the opinion of the company, has been subject to negligent handling, misuse, alteration, an accident, or if repairs have been made with parts other than those obtainable through SHEYENNE TOOLING & MANUFACTURING.

Our obligation under this warranty shall be limited to repairing or replacing, free of charge to the original purchaser, any part that in our judgement shall show evidence of such defect, provided further that such part shall be returned within thirty (30) days from date of failure to SHEYENNE TOOLING & MANUFACTURING.

This warranty shall not be interpreted to render us liable for injury or damages of any kind or nature to person or property.

Except as set forth above, SHEYENNE TOOLING & MANUFACTURING shall have no obligation of liability of any kind on account of any of its equipment and shall not be liable for special or consequential damage. SHEYENNE TOOLING & MANUFACTURING makes no other warranty, express or implied, and, specifically, SHEYENNE TOOLING & MANUFACTURING disclaims any implied warranty of merchantability of fitness for a particular purpose. Some states or provinces do not permit limitations or exclusions of implied warranties of incidental or consequential damages, so the limitations or exclusions in this warranty may not apply.

This warranty is subject to any existing conditions of supply, which may directly affect our ability to obtain materials or manufacture replacement parts.

SHEYENNE TOOLING & MANUFACTURING reserves the right to make improvements in design or changes in specifications at any time, without incurring any obligations to owners of units previously sold.

No one is authorized to alter, modify or enlarge neither this warranty nor the exclusions, limitations and reservations.

I have read and understand the above instructions and warranty. I have also read the owner's manual and understand all safety precautions. **Warranty is invalid until all three copies are completed and signed. Customer copy retained, dealer copy in the dealer's possession and the manufacturer's copy returned.**

Date Purchased _____ Dealership _____

Model Number _____ Serial Number _____

Customer Information: Name (Please Print) _____

Address _____

City _____, State _____, Zip Code _____

E-Mail (If Applicable) _____

Signature _____, Date _____

Dealer Signature _____ Date _____

Please return via; fax, regular mail or e-mail; to:
fax number - (701) 797-2584
address --
Sheyenne Tooling and Manufacturing
PO Box 647
Cooperstown, ND 58425
e-mail - warranty@sheyennemfg.com

TABLE OF CONTENTS

SECTION	DESCRIPTION	PAGE
	Augers in this Manual	i
	Dealer Information	ii
	Serial number location	1
	Warranty Pages	-
	Table of Contents	2
1	Introduction	3
	Safety Symbol	3a
2	Safety Reasons	4
2.1 – 2.11	General Safety	5 - 12
2.12	Safety Decals	13
2.13	Safety Sign-off Form	14
3	Safety Decal Locations	15 - 17
	Note Page (For Your Use)	18
4 – 4.1	Safety Review / Training	19
4.2	Machine Components	20
4.3	Break-in Procedures	21
4.4	Pre-Operation Checklist	21
4.5 – 4.6	Controls	22 - 23
4.7	Hook-up / Unhook	24 - 26
4.8	Machine Placement	27 - 28
4.9	Operating	29 - 33
4.10	Transporting	34 - 36
5	Storage	37 - 38
6 – 6.1.3	Servicing	39 - 44
6.1.4	Service Record	45
6.2 – 6.2.7	Maintenance	46 - 51
6.2.8	Hanger Bearing Replacement	51 - 52
6.2.8	Timing the Flighting	52 - 53
7	Trouble Shooting	54
8 – 8.1	Bolt Torque Specifications	55
9	Mechanical Specifications	56
	Parts - Table of Contents (Separate Section)	57

1 INTRODUCTION

Congratulations on your choice of a Sheyenne/Westgo Portable Auger to compliment your farming operation. This equipment has been designed and manufactured to meet the needs of the discerning farmer for the efficient moving of grain.

Safe, efficient and trouble free operation of your Portable Auger requires that you and anyone else who will be operating or maintaining the Auger, read and understand the Safety, Operation, Maintenance and Trouble Shooting information contained within the Operator's Manual.



This manual covers the Gold Series Augers made by Sheyenne/Westgo. Included are two different models, GS15 and GS20, two different sizes, 8" and 10", lengths from 30' to 70' and four drive systems.

Keep this manual handy for frequent reference and to pass on to new operators or owners. Call your Sheyenne/Westgo dealer if you need assistance, information or additional copies of this manual.

OPERATOR ORIENTATION - The directions left, right, front and rear, as mentioned throughout the manual, are seen from the tractor driver's seat and facing in the direction of travel when the unit is being transported. The front is the intake end of the auger.

**THE SYMBOL SHOWN BELOW IS USED TO
CALL YOUR ATTENTION TO INSTRUCTIONS
CONCERNING YOUR PERSONAL SAFETY**



BE ALERT!

Your Safety is involved

2 SAFETY

SAFETY ALERT SYMBOL



Why is SAFETY so important to you?

3 Big Reasons

Accidents Disable and Kill

Accidents Are Costly

Accidents Can Be Avoided

This safety alert symbol appears in this manual and on many of the decals on the auger. It is used to draw your attention to the possibility of personal injury or loss of life. We **urge** you to follow all safety instructions. Be alert to safety issues at **all** times!

In addition you will see the use of **signal words** with the safety messages. The appropriate signal word for each message has been selected using the following guide-lines:

DANGER – An immediate and specific hazard which **will** result is severe personal injury or death if the proper precautions are not taken.

WARNING – A specific hazard or unsafe practice which **could** result in severe personal injury or death if proper precautions are not taken.

CAUTION – Unsafe practices which **could** result in personal injury if proper practices are not taken, or as a reminder of good safety practices.

SAFETY

YOU are responsible for the safe operation and maintenance of your Sheyenne/Westgo Portable Auger. YOU must ensure that you and anyone else who is going to operate, maintain or work around the Auger be familiar with the operating and maintenance procedures and related Safety information contained in this manual. This manual will take you step -by- step through your working days and alerts you to all good safety practices that should be adhered to while operating the Auger.

Remember, YOU are the key to safety. Good safety practices not only protect you but also the people around you. Make these practices a working part of your safety program. Be certain that EVERYONE operating this equipment is familiar with the recommended operating and maintenance procedures and follows all the safety precautions. Most accidents can be prevented. Do not risk injury or death by ignoring good safety practices.

* Auger owners must give operating instructions to operators or employees before allowing them to operate the Auger, and at least annually thereafter per OSHA (Occupational Safety and Health Administration) regulation 1928.57.

* The most important safety device on this equipment is a safe operator. It is the operators responsibility to read and understand All Safety and Operating instructions in the manual and to follow them. All accidents can be avoided.

* A person who has not read and understood all operating and safety instructions is not qualified to operate the machine. An untrained operator exposes himself and bystanders to possible serious injury or death.

* Do not modify the equipment in any way. Unauthorized modification may impair the function and/or safety and could affect the life of the equipment.

2.1 GENERAL SAFETY

1. Read and understand the Operator's Manual before operating, maintaining or adjusting the Auger.



2. Only trained competent persons shall operate the Auger. An untrained operator is not qualified to operate this machine.

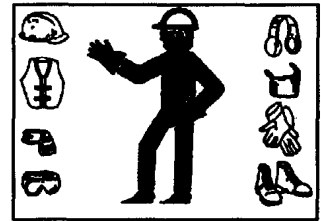
3. Have a first-aid kit available for use should the need arise and know how to use it.



4. Do not allow children, spectators or bystanders within hazard area of machine.

5. Wear appropriate protective gear. This list includes but is not limited to:

- A hard hat,
- Protective shoes with slip resistant soles
- Protective goggles
- Heavy gloves
- Hearing protection
- Respirator or filter mask



6. Stop the engine, place all controls in neutral, set park brake, remove ignition key and wait for all moving parts to stop before servicing, adjusting, repairing, or unplugging.

7. Review safety related items annually with all personnel who will be operating or maintaining the Auger.

8. Have another person nearby who can shut down the auger in case of an accident. It is good practice to always work with a second person around augers.

Think SAFETY!

Work SAFELY!

2.2 OPERATING SAFETY

1. Read and understand the Operator's Manual and all safety signs before using.
2. PTO drives: Stop the engine, place all controls in neutral, set park brake, remove ignition key and wait for all moving parts to stop before servicing, adjusting, repairing or unplugging.
3. Electric motor drives: Disconnect and disable electrical supply completely and wait for all moving parts to stop before servicing, adjusting, repairing or unplugging.
4. Clear the area of all bystanders, especially children, before starting.
5. Be familiar with machine hazard area. If anyone enters hazard area, shut down machine immediately. Clear the area before restarting.
6. Keep hands, feet, hair and clothing away from all moving and/or rotating parts.
7. Do not allow riders on the Auger or tractor when transporting.
8. Stay away from overhead obstructions and power lines during operation and transporting. Electrocutation can occur without direct contact.
9. Do not operate machine when any guards are removed.
10. Set park brake on tractor before starting.
11. Lower Auger to its lowest position when transporting or when not in use.
12. Have another person nearby who can shut down the auger in case of an accident. It is good practice to always work with a second person around augers.
13. Inspect lift cable before using auger. Replace if frayed or damaged.
14. Make certain the lift cable is properly seated in cable pulleys.
15. Ensure that auger is empty before raising or lowering.

2.3 PLACEMENT SAFETY

1. Move only with a tractor. Never move by hand.

2. Stay away from overhead power lines when moving Auger. Electrocutation can occur without direct contact.
3. Keep Auger as low as possible.
4. Chock Auger and tractor wheels front and rear before operating.
5. Locate Auger to provide ample space for grain vehicles to unload.
6. Keep Auger as low as possible when moving. Raise only when it is next to storage facility.
7. Be familiar with the machine hazard area. If anyone enters hazard area, shut down machine immediately. Clear the area before restarting.
8. Operate the auger on level ground free of debris. If ground is uneven, anchor the auger to prevent tipping or upending.

IMPORTANT

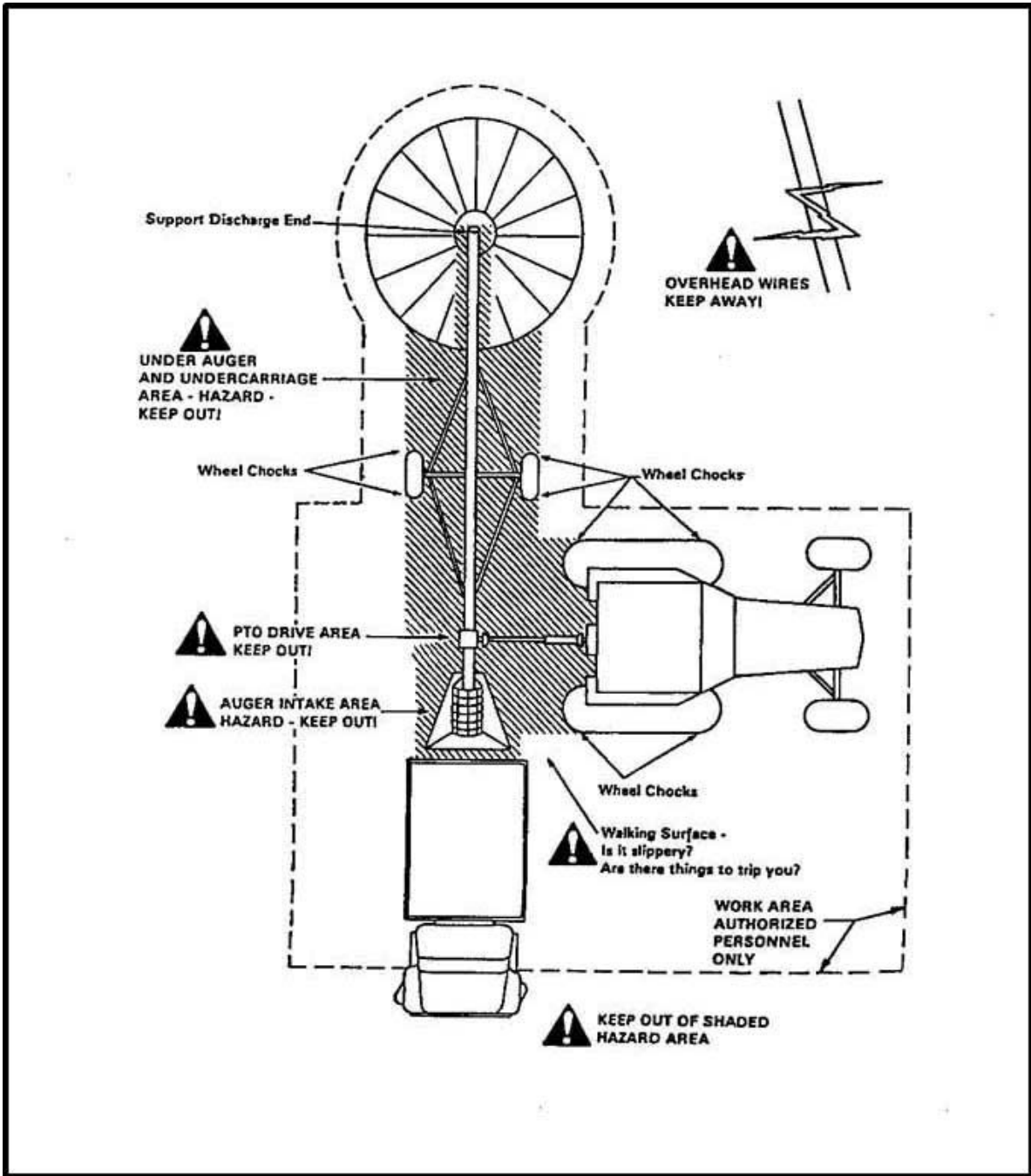
BEFORE RAISING OR PLACEMENT OF ENSURE THAT GROUND IS REASONABLY LEVEL. AUGER COULD TOPPLE IF GROUND IS TOO UNEVEN, DAMAGING EQUIPMENT AND/OR CAUSING PERSONAL INJURY.

NOTE: If auger wheels are partially or fully buried in snow or grain, do not attempt to move auger until snow or grain has been cleared away from auger wheels. Failure to heed may cause damage to auger and/or serious injury.

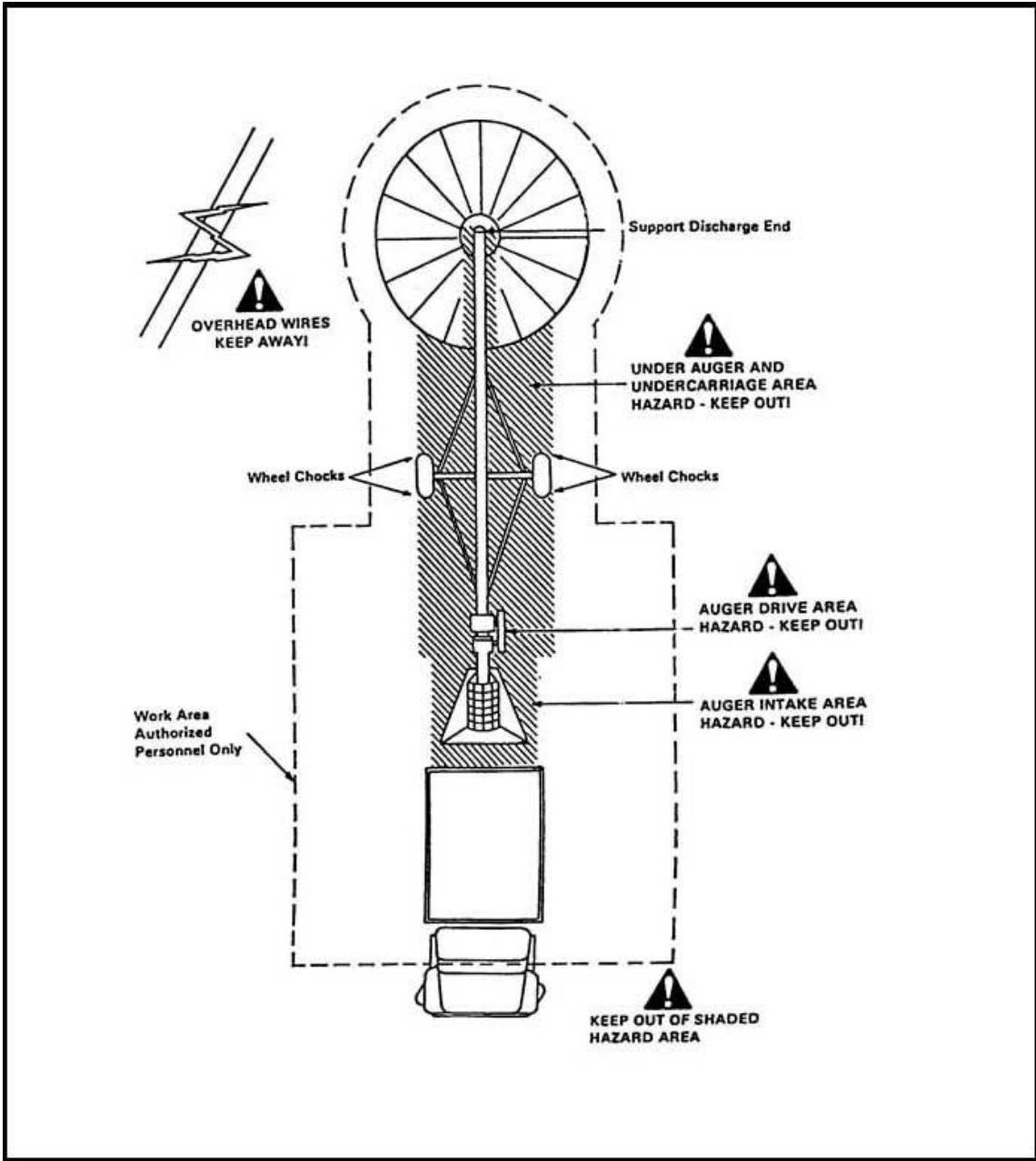
IMPORTANT

WHEN RELEASING AUGER FROM THE TOWING VEHICLE, TEST THE INTAKE END FOR DOWNWARD WEIGHT. DO NOT RAISE THE INTAKE END ABOVE DRAW BAR HEIGHT. WHEN THE INTAKE END IS ELEVATED TOO HIGH WITH AUGER IN RAISED POSITION, THE BALANCE OF WEIGHT QUICKLY TRANSFERS TO THE DISCHARGE END, CAUSING THE AUGER TO UPEND.

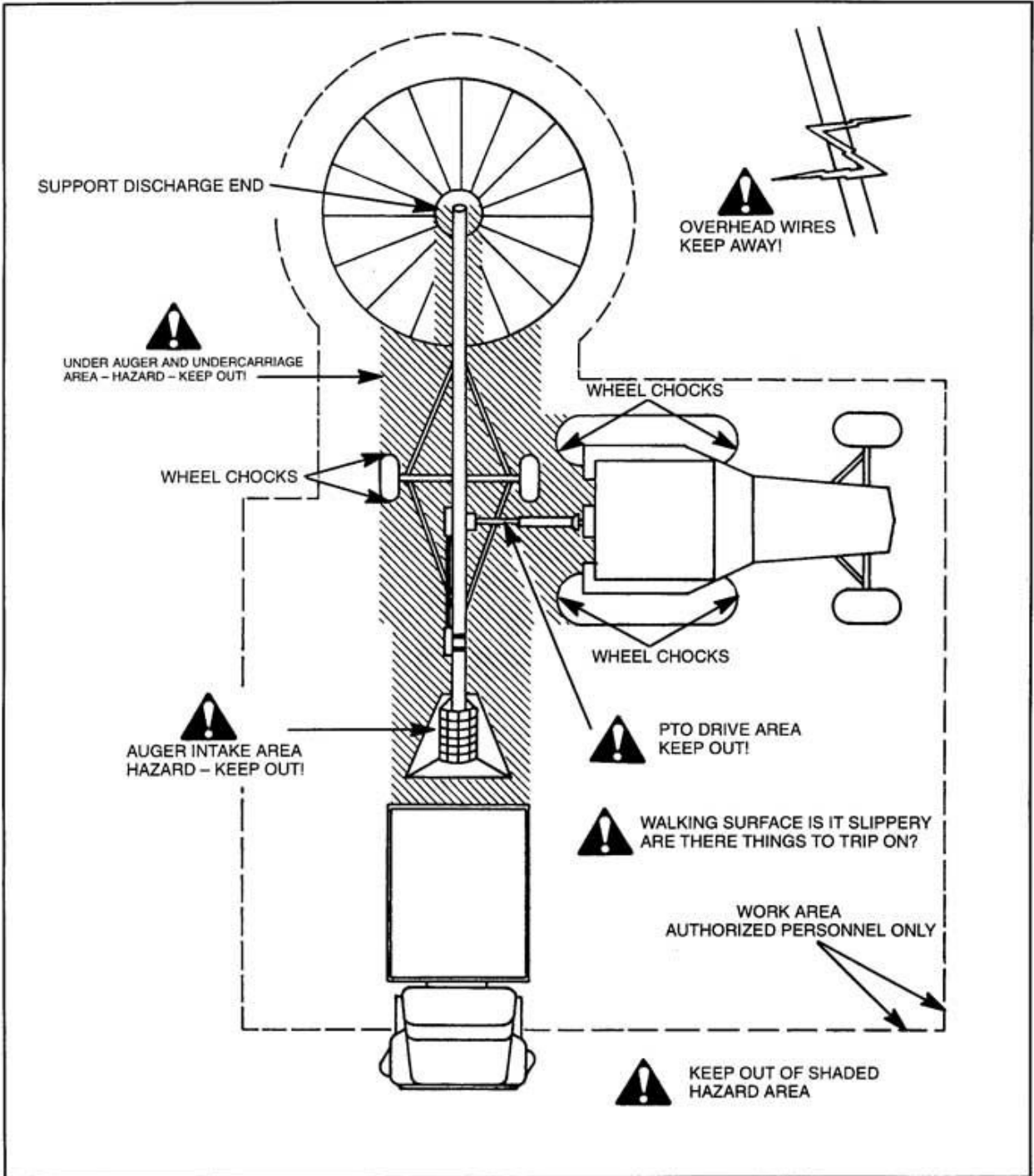
NOTE: Winch must have clicking sound when raising auger. If clicking sound stops, retain grip on handle, lower the auger fully and repair ratchet.



WORKPLACE HAZARD AREA (PTO DRIVE)



WORKPLACE HAZARD AREA (ELECTRIC DRIVE & GAS DRIVE)



WORKPLACE HAZARD AREA (BELT DRIVE PTO)

2.4 MAINTENANCE SAFETY

1. Review the Operator's Manual and all safety items before working with, maintaining or operating the Auger.

2. Stop the engine, place all controls in neutral set park brake, remove ignition key and wait for all moving parts to stop before servicing, adjusting, repairing or unplugging.

3. Follow good shop practices:

-Keep service area clean and dry.

-Be sure electrical outlets and tools are properly grounded.

-Use adequate light for the job at hand.



4. Before applying pressure to a hydraulic system, make sure all components are tight and that hoses and couplings are in good condition.

5. Relieve pressure from hydraulic circuit before servicing or disconnecting from tractor.

6. Keep hands, feet, hair and clothing away from all moving and/or rotating parts.

7. Clear the area of bystanders, especially children, when carrying out any maintenance and repairs or making adjustments,

8. Place stands or blocks under the frame before working beneath the machine.

9. Before resuming work, install and secure all guards when maintenance work is completed.

10. Support auger tube before attempting maintenance on the under carriage assembly. Where possible auger should be in the full down position.

11. Keep decals clean. Replace any decal that is damaged or not clearly visible.

2.5 HYDRAULIC SAFETY

1. Always place all tractor hydraulic controls in neutral before disconnecting from tractor or working on hydraulic system.

2. Make sure that all components in the hydraulic system are kept in good condition and are clean.

3. Replace any worn, cut, abraded, flattened or crimped hoses.

4. Do not attempt any makeshift repairs to the hydraulic fittings or hoses by using tape, clamps or cements. The hydraulic system operates under extremely high-pressure. Such repairs will fail suddenly and create a hazardous and unsafe condition.

5. Wear proper hand and eye protection when searching for high-pressure hydraulic leak. Use a piece of wood or cardboard as a backstop instead of hands to isolate and identify a leak.



6. If injured by a concentrated high-pressure stream of hydraulic, seek medical attention **immediately**. Serious infection or toxic reaction can develop from hydraulic fluid piercing the skin surface.

2.6 REFUELING

1. Handle fuel with care. It is highly flammable.

2. Allow engine to cool for 5 minutes before refueling. Clean up spilled fuel before restarting engine.

3. Do not refuel the machine while smoking or when near open flame or sparks.

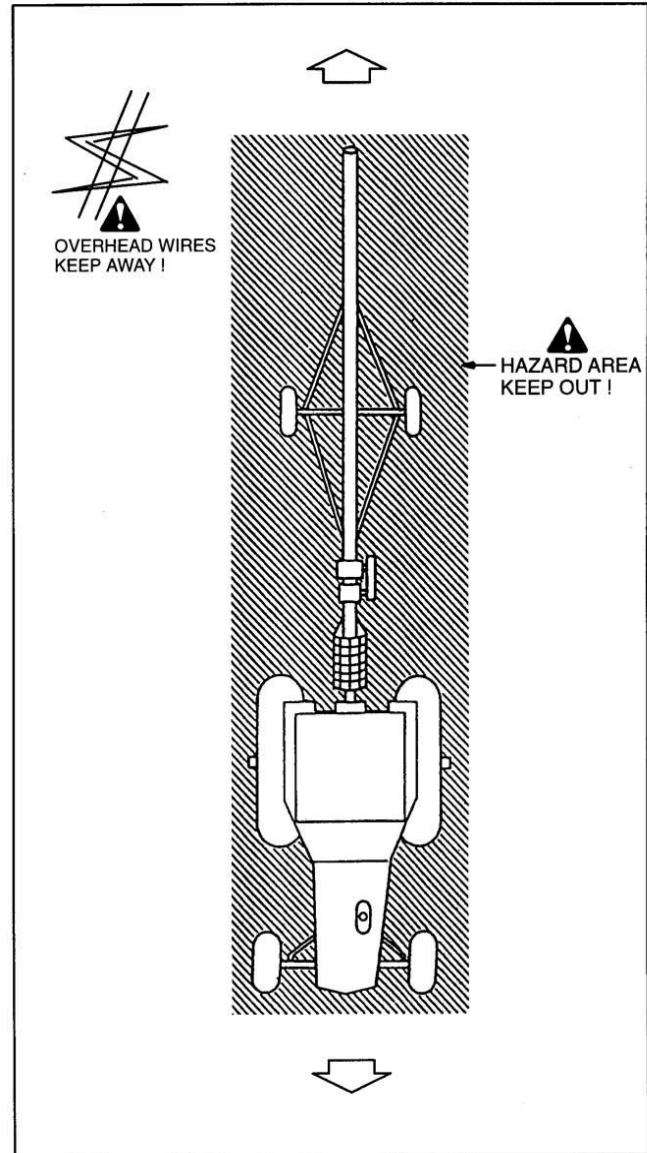


4. Fill fuel tank outdoors.

5. Prevent fires by keeping machine clean of accumulated trash, grease and debris.

2.7 TRANSPORT SAFETY

1. Read and understand ALL the information in the Operator's Manual regarding procedures and SAFETY when moving or transporting the Auger.
2. Check with local authorities regarding Auger transport on public roads. Obey all applicable laws and regulations.
3. Always travel at a safe speed. Use caution when making corners or meeting traffic.
4. Make sure the SMV (Slow Moving Vehicle) emblem and all the lights and reflectors that are required by the local highway and transport authorities are in place, are clean and can be seen clearly by all overtaking and oncoming traffic.
5. Do not allow riders on the Auger or the tractor when transporting.
6. Attach Auger to towing vehicle with a bolt, washer and double nut. Always attach the safety chain.
7. Lower Auger to its lowest position for transporting.
8. Keep to the right and yield the right-of-way to allow faster traffic to pass. Drive on the road shoulder, if permitted by law.
9. Do not exceed 20 mph (32 km/h). Reduce speed on rough roads and surfaces.
10. Stay away from overhead obstructions and power lines when transporting. Electrocution can occur without direct contact.
11. Always use hazard warning flashers on tractor when transporting unless prohibited by law.



TRANSPORTING HAZARD AREA

NOTE: *If auger wheels are partially or fully buried in snow or grain, do not attempt to move auger until snow or grain has been cleared away from auger wheels. Failure to heed may cause damage to auger and/or serious injury.*

2.8 STORAGE SAFETY

1. Store the unit in an area away from human activity.
2. Do not permit children to play on or around the stored machine.
3. Lower Auger to its lowest position for storage unless placed in its operating position.

2.9 TIRE SAFETY

1. Failure to follow proper procedures when mounting a tire on a wheel or rim can produce an explosion, which may result in serious injury or death.
2. Do not attempt to mount a tire unless you have the proper equipment and experience to do the job.
3. Have a qualified tire dealer or repair service perform required tire maintenance.
4. When replacing worn tires, make sure they meet the original tire specifications. Never under-size.

2.10 BATTERY SAFETY

1. Keep all sparks and flames away from batteries as gas given off by electrolyte is explosive.
2. Avoid contact with battery electrolyte: wash off any spilled electrolyte immediately.
3. Wear safety glasses when working near batteries.
4. Do not tip batteries more than 45 degrees to avoid electrolyte loss.
5. To avoid injury from spark or short circuit, disconnect battery ground cable before servicing any part off electrical system.

2.11 GAS MOTOR SAFETY

BEFORE STARTING ENGINE, READ AND UNDERSTAND THE "OPERATING AND MAINTENANCE INSTRUCTIONS" THAT CAME WITH YOUR ENGINE.

WARNING: DO NOT

- 1 .DO NOT run engine in an enclosed area. Exhaust gases contain carbon monoxide, an odorless and deadly poison.
- 2.DO NOT place hands or feet near moving or rotating parts.
- 3.DO NOT store, spill, or use gasoline near an open flame, or devices such as a stove, furnace, or water heater which use a pilot light or devices which can create a spark.
- 4.DO NOT refuel indoors where area is not well ventilated. Outdoor refueling is preferred.
- 5.DO NOT fill fuel tank while engine is running, Allow engine to cool for 2 minutes before refueling. Store fuel in approved safety containers.
- 6.DO NOT remove fuel tank cap while engine is running.
- 7.DO NOT operate engine if gasoline is spilled. Move machine away from the spill and avoid creating any ignition until the gasoline has evaporated.
- 8.DO NOT smoke when filling fuel tank.
- 9.DO NOT choke carburetor to stop engine. Whenever possible, gradually reduce engine speed before stopping.
- 10.DO NOT run engine at excessive speeds. This may result in injury.
- 11.DO NOT tamper with governor springs, governor links or other parts, which may increase the governed engine speed.
- 12.DO NOT tamper with the engine speed selected by the original equipment manufacturer.
- 13.DO NOT check for spark with spark plug or spark plug wire removed. Use an approved tester.

14.DO NOT crank engine with spark plug removed. If engine is flooded, place throttle in "FAST" position and crank until engine starts.

15.DO NOT strike flywheel with a hard object or metal tool as this may cause flywheel to shatter in operation. Use proper tools to service engine.

16.DO NOT operate engine without a muffler. Inspect periodically and replace, if necessary. If engine is equipped with muffler deflector, inspect periodically and replace, if necessary, with correct deflector.

17.DO NOT operate engine with an accumulation of grass, leaves, dirt or other combustible materials in the muffler area.

18.DO NOT use this engine on any forest covered, brush covered, or grass covered unimproved land unless a spark arrester is installed on the muffler, The arrester must be maintained in effective working order by the operator. In the State of California the above is required by law (Section 4442 of the California Public Resources Code). Other states may have similar laws. Federal laws apply on federal lands.

19.DO NOT touch hot muffler, cylinder, or fins because contact may cause burns.

20.DO NOT run engine with air cleaner or air cleaner cover (or cover directly over carburetor air intake, if Sno/Guard engine) removed.

WARNING: DO

1.ALWAYS DO remove the wire from the spark plug when servicing the engine or equipment TO PREVENT ACCIDENTAL STARTING. Disconnect the negative wire from the battery terminal if equipped with a 12 volt starting system.

2.DO keep cylinder fins and governor parts free of grass and other debris which can affect engine speed.

3.DO examine muffler periodically to be sure it is functioning effectively. A worn or leaking muffler should be repaired or replaced as necessary.

4.DO use fresh gasoline. Stale fuel can gum carburetor and cause leakage.

5.DO check fuel lines and fittings frequently for cracks or leaks. Replace if necessary.

2.12 SAFETY DECALS

1. Keep safety decals and sign clean and legible a alt times.

2. Replace safety decals that displayed a safety sign that are missing or have become illegible.

3. Replaced parts that displayed a safety sign should also display the current sign.

4. Safety decals or signs are available from your Dealers Parts Department or the factory.

How to Install Safety Decals:

* Be sure that the installation area is clean and dry.

* Decide on the exact position before you remove the backing paper.

* Remove the smallest portion of the split backing paper.

*Align the decal over the specified area and carefully press the small portion with the exposed sticky backing in place.

* Slowly peel back the remaining paper and carefully smooth the remaining portion of the decal in place.

*Small air pockets can be pierced with a pin and smoothed out using the piece of decal backing paper.

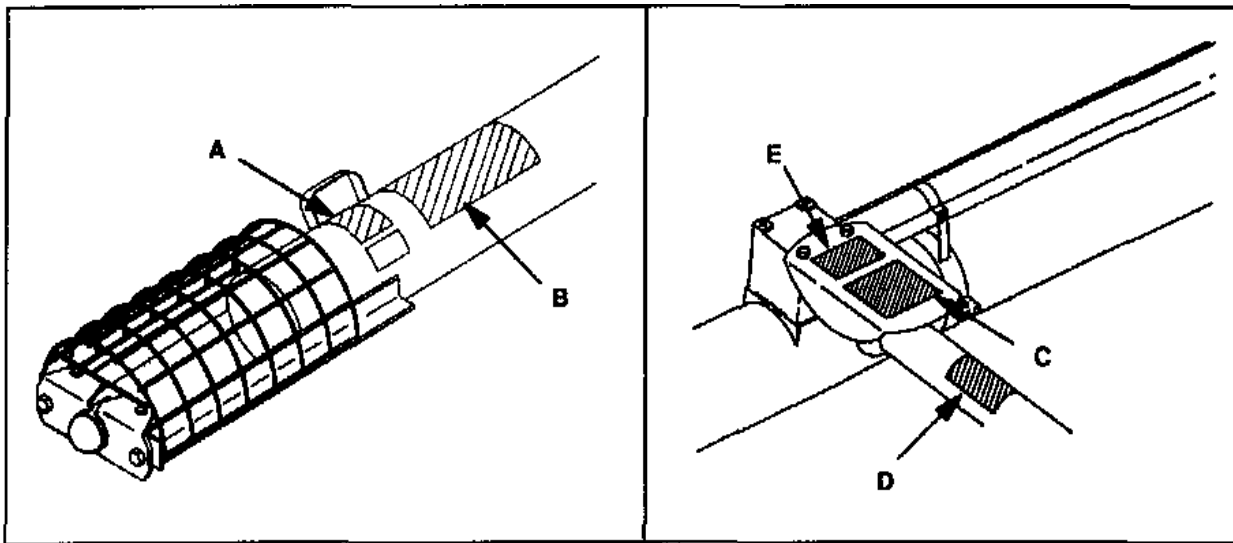
3 SAFETY DECAL LOCATIONS

The types of decals and locations on the equipment are shown in the illustration below. Good safety requires that you familiarize yourself with the various Safety Decals, the type of warning and the area, or particular function related to that area, that requires your SAFETY AWARENESS.

* Think SAFETY! Work SAFELY!

TUBES

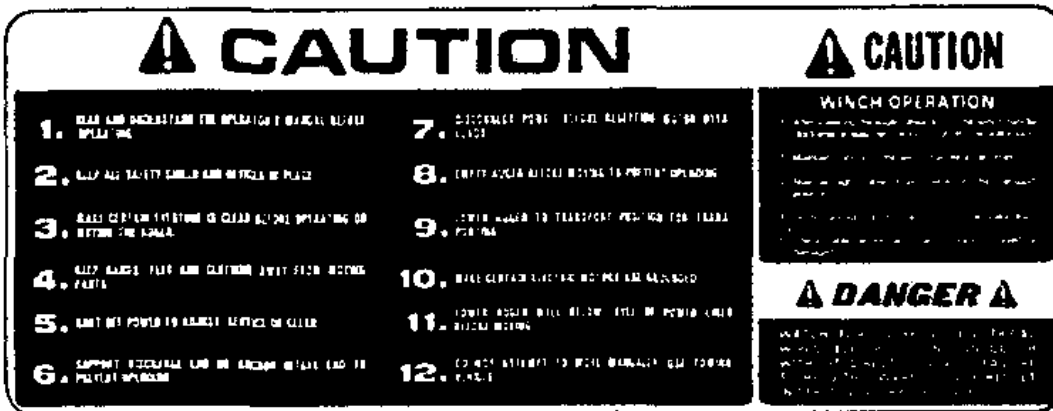
STANDARD PTO DRIVE



A



B

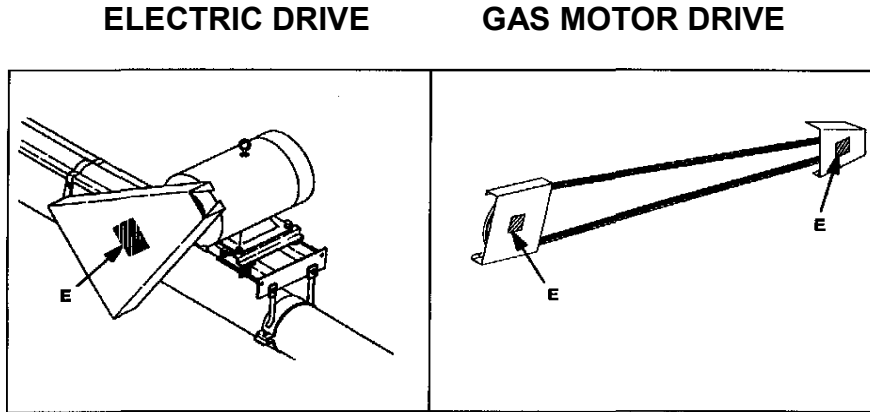


REMEMBER- If Safety Decals have been damaged, removed, become illegible or parts replaced without decals, new decals must be applied. New decals are available from your authorized dealer.

3 SAFETY DECAL LOCATIONS

The types of decals and locations on the equipment are shown in the illustration below. Good safety requires that you familiarize yourself with the various Safety Decals, the type of warning and the area, or particular function related to that area, that requires your SAFETY AWARENESS.

- Think SAFETY! Work SAFELY!

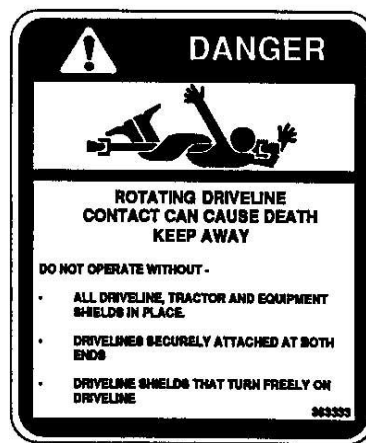
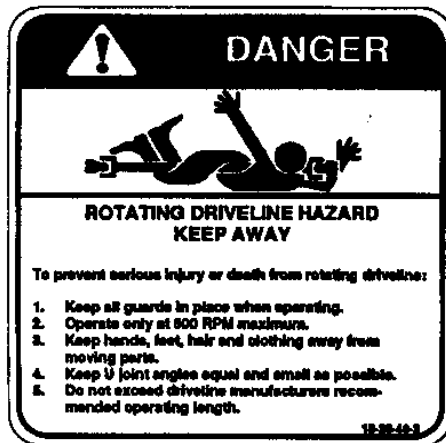


E



C

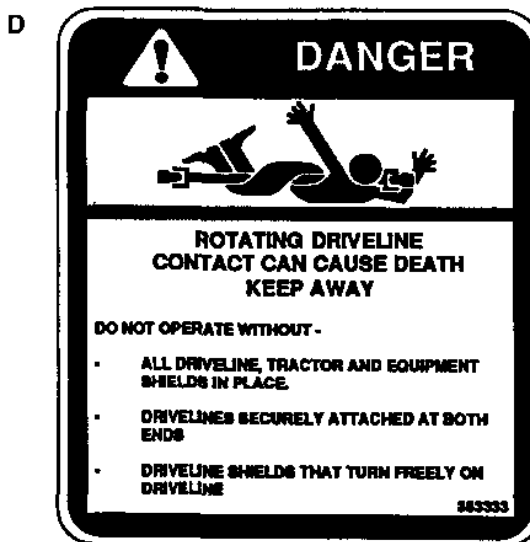
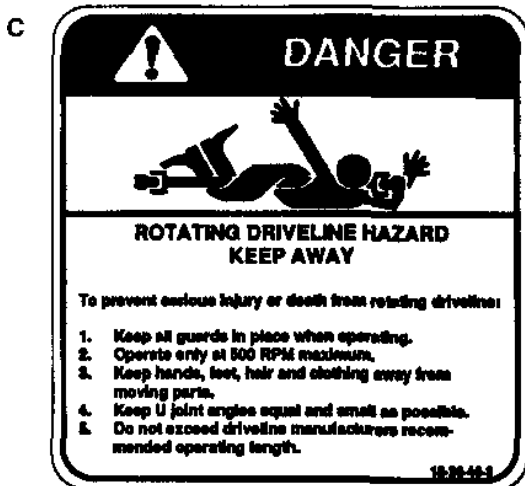
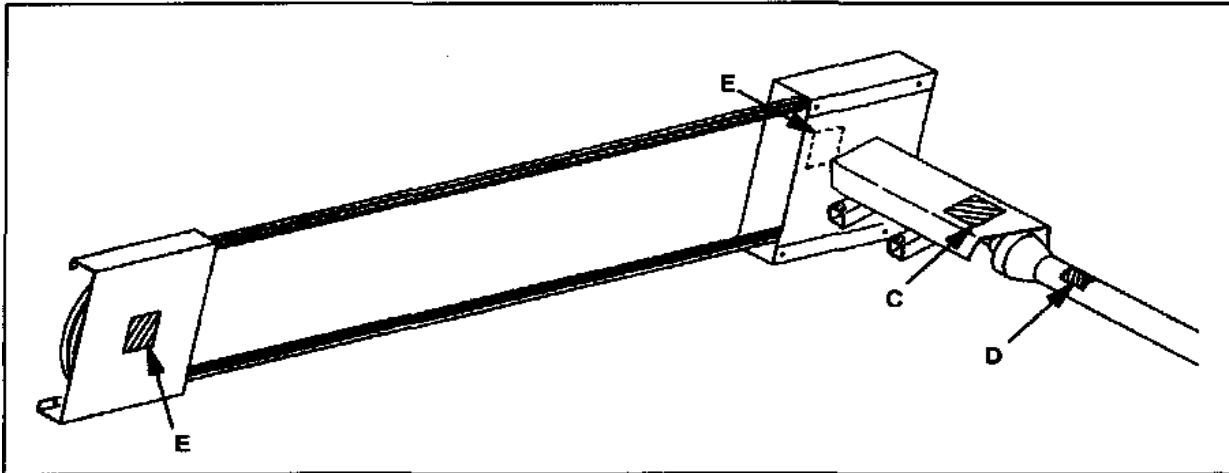
D



REMEMBER - If safety decals have been damaged, removed, become illegible or parts replaced without decals, new decals must be applied. New decals are available from your authorized dealer.

The types of decals and locations on the equipment are shown in the illustration below. Good safety requires that you familiarize yourself with the various Safety Decals, the type of warning and the area, or particular function related to that area, that requires your SAFETY AWARENESS.

- Think SAFETY! Work SAFELY!



REMEMBER - If safety decals have been damaged, removed, become illegible or parts replaced without decals, new decals must be applied. New decals are available from your authorized dealer.

NOTES

4 OPERATION



OPERATING SAFETY

1. Read and understand the Operator's Manual and all safety signs before using.
2. PTO drive: Stop the engine, place all controls in neutral, set park brake, remove ignition key and wait for all moving parts to stop before servicing, adjusting, repairing or unplugging.
3. Electric motor drives: Disconnect and disable electrical supply completely and wait for all moving parts to stop before servicing, adjusting, repairing or unplugging.
4. Clear the area of all bystanders, especially children, before starting.
5. Be familiar with machine hazard area. If anyone enters hazard area, shut down machine immediately. Clear the area before restarting.
6. Keep hands, feet, hair and clothing away from all moving and/or rotating parts.
7. Do not allow riders on the Auger or tractor when transporting.
8. Stay away from overhead obstructions and power lines during operation and transporting. Electrocutation can occur without direct contact.
9. Do not operate machine when any guards are removed.
10. Set park brake on tractor before starting.
11. Lower Auger to its lowest position when transporting or when not in use.
12. Have another person nearby who can shut down the auger in case of an accident. It is good practice to always work with a second person around augers.
13. Inspect lift cable before using auger. Replace if frayed or damaged.
14. Make certain lift cable is properly seated in cable pulleys.
15. Ensure that auger is empty before raising or lowering.

4.1 TO THE NEW OPERATOR OR OWNER

The Sheyenne/Westgo Portable Auger is designed to efficiently move grain from a truck, trailer, or wagon into a storage facility. Power is provided by a tractor PTO. Be familiar with the machine before starting.

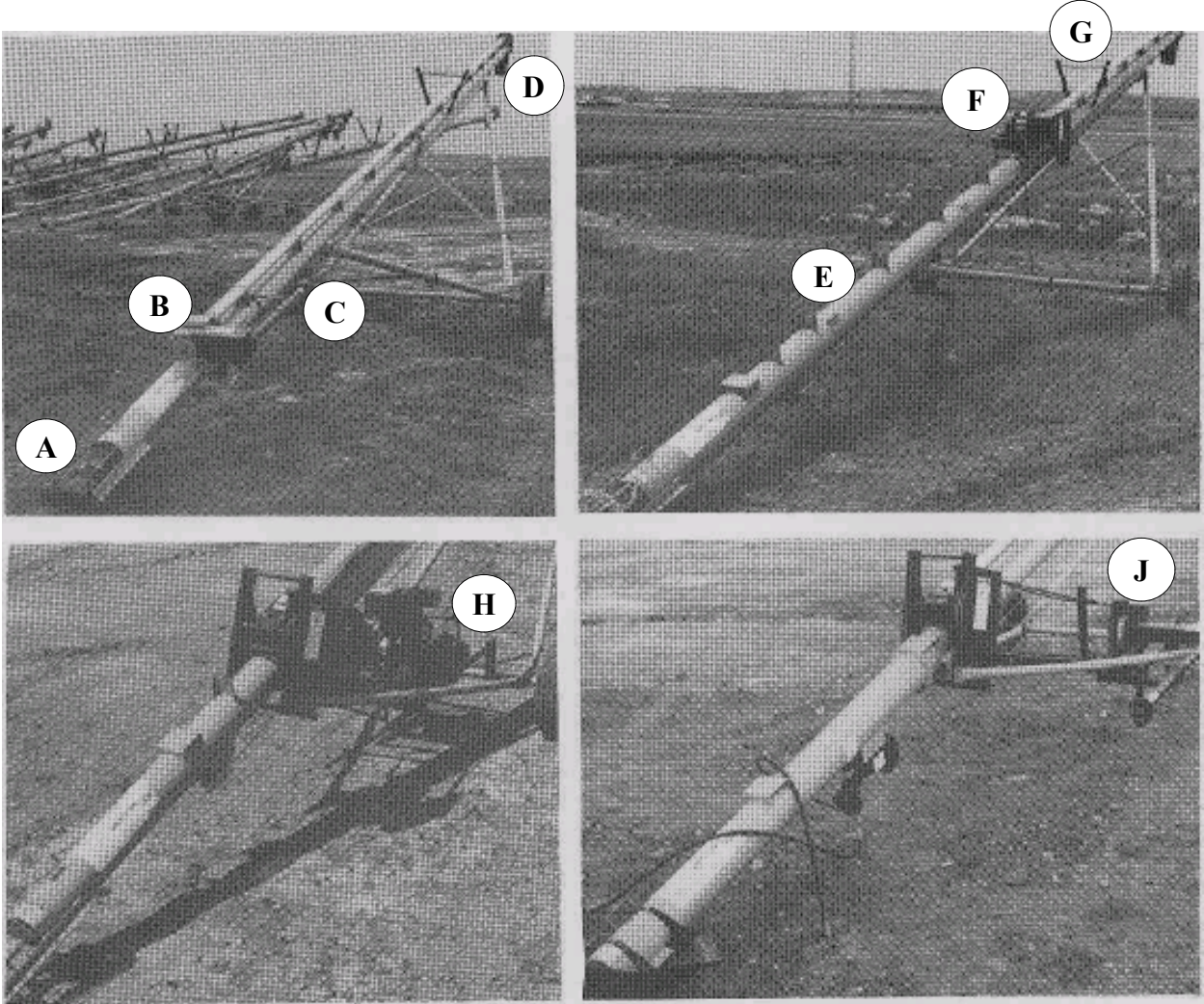
It is the responsibility of the owner or operator to read this manual and to train all other operators before they start working with machine. Follow all safety instructions exactly. Safety is every-ones business. By following recommended procedures, a safe working environment is provided for the operator, bystanders and the area around the work-site. Untrained operators are not qualified to operate the machine.

Many features incorporated into this machine are the result of suggestions made by customers like you. Read this manual carefully to learn how to operate the machine safely and how to set it to provide maximum efficiency. By following the operating instructions in conjunction with a good maintenance program, your Auger will provide many years of trouble-free service.

4.2 MACHINE COMPONENTS

The Grain Auger is a length of rotating flighting enclosed within a tube for moving grain. Grain enters the system through the intake at the lower end. A winch raises and lowers the machine.

Power is provided from a tractor PTO drive, electric motor, gas engine or belt with PTO.



- A Intake**
- B Gearbox**
- C PTO Drive**
- D Outlet**
- E Main Tube**
- F Electric Motor**
- G Trusses**
- H Gas Engine**
- J Belt Drive, PTO**

4.3 MACHINE BREAK-IN

Although there are no operational restrictions on the Auger when used for the first time, it is recommended that the following mechanical items be checked:

A. Before starting:

1. Apply oil or spray lubricant to wood lineshaft bearings

2. Check oil level in gearbox.

B. After operating or transporting for 1/2 hour:

1. Retorque all the wheel bolts.

2. Retorque fasteners and hardware.

3. Check that all safety decals are installed and legible. Apply new decals if required.

4. Check that all guards are installed and working as intended.

5. Lubricate all grease fittings.

6. Apply oil or spray lubricant to wood lineshaft bearings.

C. After operating for 5 hours and 10 hours:

1. Retorque all wheel bolts, fasteners and hardware.

2. Check that all guards are installed and working properly.

3. Check safety decals. Install new ones if required.

4. Check gearbox oil level. Add as required.

5. Then go to the normal servicing and maintenance schedule as defined in the Maintenance Section.

D. Do not run auger at full capacity until several hundred bushels have been augered to polish the flighting and tube.

IMPORTANT

ANCHORING AND/OR SUPPORT OF AUGER DURING OPERATION IS NECESSARY. WHEN LOWER HALF OF AUGER EMPTIES OF GRAIN, THE WEIGHT BALANCE TRANSFERS TO THE UPPER END OF AUGER, WHICH CAN CAUSE UPENDING!

4.4 PRE-OPERATION CHECKLIST

Efficient and safe operation of the Sheyenne Portable Auger requires that each operator reads and understands the operating procedures and all related safety precautions outlined in this section. A pre-operation checklist is provided for the operator. It is important for both the personal safety and maintaining the good mechanical condition of the Auger that this checklist is followed.

Before operating the Auger and each time thereafter, the following area should be checked off:

1. Lubricate the machine per the schedule outlined in Section 5 Service and Maintenance.

2. Use only a tractor of adequate power to operate the Auger.

3. Ensure that the machine is properly attached to the tractor. Always use a retainer or hitch pin.

4. Check that all guards are installed, secured and functioning as intended. Do not operate with missing or damaged shields.

5. Check work-site. Clean up working area to prevent slipping or tripping.

6. Check winch and cable for security and operation. There should be at least 3 complete wraps of cable around winch drum in full down position. Cable anchor on winch drum must be tight.

7. Cable clamps are secure,

8. Drive belts are not frayed or damaged.

9. Drive belts are properly adjusted and aligned.

10. Auger wheels are chocked.

11. Discharge spout and intake area are free of obstructions.

4.5 CONTROLS

All controls are conveniently positioned next to the Operator's station to allow easy operation. Review this section to familiarize yourself with the location and function of each control. Each is shown and explained.

1. Winch (Raising and Lowering)

A winch is located on the front lower end of the machine and is used to raise and lower the auger. Turn the handle clockwise to raise and counterclockwise to lower.

IMPORTANT

Do not lower the auger so far that the cable becomes slack. If the cable goes slack, it can be taken up in the wrong direction on the spool.

2. Engine (Gas Engine Model)

Note: Sheyenne/Westgo no longer sells gasoline engines. The following instructions are general in nature. Operating instructions provided by the engine manufacture supersede.

a. Engine ON/OFF: The engine is turned ON and OFF with a rotary switch. Turn counter-clockwise to stop engine. Turn clockwise to turn the electrical system ON so the engine can run.

b. Choke: Move upward to close choke. Move downward as engine warms to open choke.

c. Throttle: Turn the throttle clockwise to increase engine RPM. Turn the throttle counterclockwise to decrease RPM.

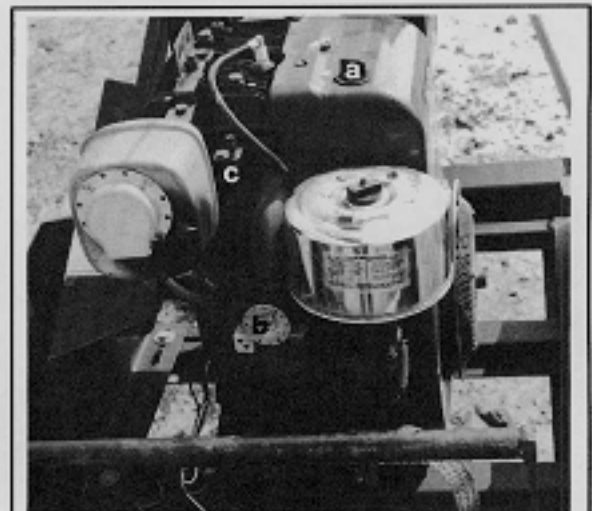
d. Rope Pull for Starting: Located on right side of engine flywheel. Wrap the rope around the flywheel assembly and pull sharply when starting engine.

e. Battery Switch: This toggle switch turns the battery power on to the starter button. Move the switch up to turn the battery power ON and down to turn OFF. It must be up to start the engine.

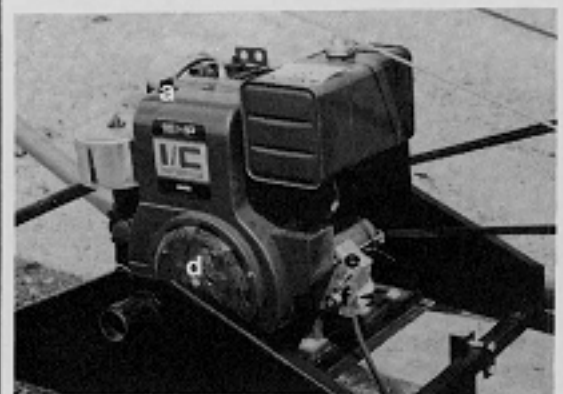
f. Starter: Depress the button to crank the engine. Release the button as soon as the engine starts.



Fig. 1 WINCH



Rear



Electric Start

Fig. 2 CONTROLS

4.6 HYDRAULIC WINCH (OPTIONAL)

An optional hydraulic winch is available for raising or lowering the auger. It replaces the standard manual winch and fits on the existing mounting brackets.

1. To install optional hydraulic winch:

a. Clear the area of bystanders, especially small children.

b. Remove, disconnect and disable power to machine.

c. Lower machine to its lowest position with a slack cable.

d. Disconnect cable from winch spool. e.

Remove winch from mounting brackets.

f. Install hydraulic winch and tighten mounting bolts to their specified torque.

g. Connect and secure cable to the spool.

2. Set hydraulic valves to match tractor. There are three valves on the valve body to set:

a. Lifting rate.

b. System operating pressure.

c. Relief pressure.

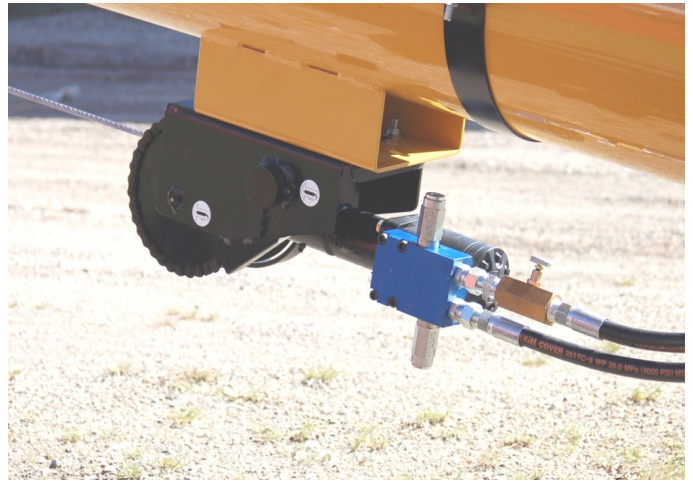


Fig. 3 HYDRAULIC WINCH

4.7 ATTACHING / UNHOOKING

It is recommended that the Auger be attached to a tractor whenever it is moved. Follow this procedure when attaching to or unhooking from a tractor:

1. Make sure that bystanders, especially small children, are clear of the working area.
2. Be sure that there is sufficient room and clearance to back up to the machine.
3. Align the draw-bar of the tractor with the hitch of the auger while backing up.
4. Set the park brake before dismounting.
5. The hitch is normally removed from the intake end for operation. As a result, it must be installed on the intake and prior to attaching to the tractor.
6. If attached to a hopper, disconnect the mounting straps and remove the hopper.

IMPORTANT

The machine is closely balanced. Do not remove the hopper unless there is downward weight on the intake end. Without downward weight on the intake end, the auger may upend!

Raise only high enough to remove the hopper and install the hitch.

7. To install the hitch, raise the intake a few inches above the ground.
8. Slide the hitch assembly over the front of the intake. Install the anchor pins and their retainers.
9. If the auger is in its working position next to a bin and resting on the bin, it will have to be raised slightly to allow the intake end to come up.

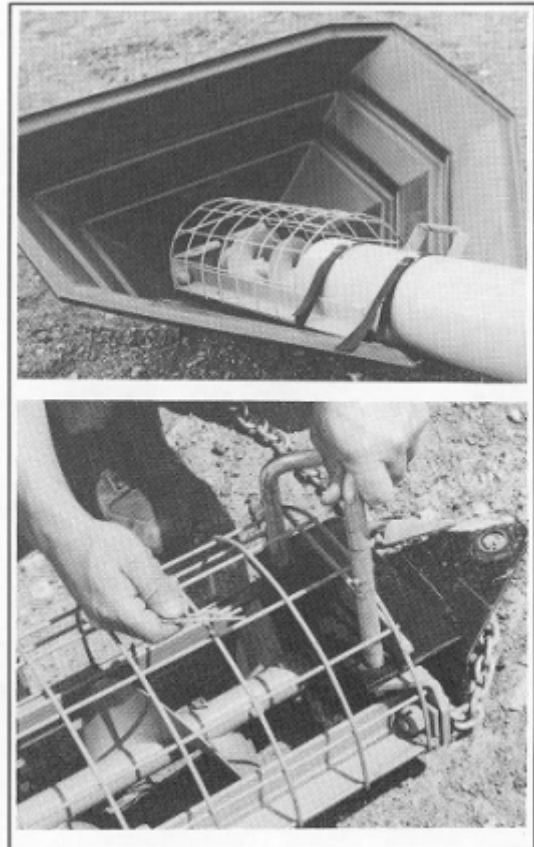


Fig. 4 HITCH ASSEMBLY

10. Raise the intake end to the drawbar height and install the pin with its retainer.

11. Secure the safety chain around the drawbar cage to prevent unexpected separation.

12. If equipped with the optional hydraulic winch, attach the hydraulic lines:

a. Use a clean rag or paper towel to clean the dirt from around the coupler on the hose end and on the tractor.

b. Connect the hose to the tractor coupler. Be sure the coupler is securely seated.

c. Route the hose to prevent pinching, rubbing, or binding and allow enough slack for raising and lowering. Keep the hose away from moving parts.

13. Use the hydraulic lever on the tractor to raise or lower the auger.

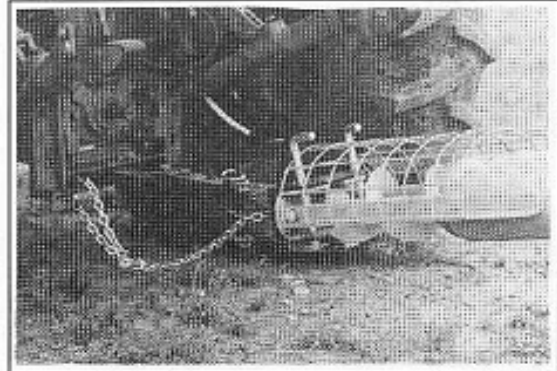


Fig. 5 ATTACHED

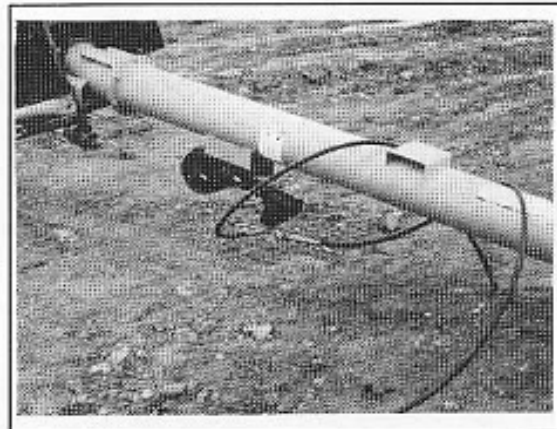
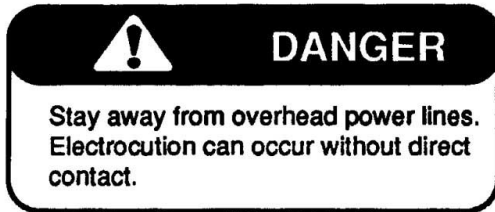


Fig. 6 HYDRAULIC WINCH

14. Remove chock from auger wheels.

15. If auger is next to a storage facility, move forward until the outlet end clears the facility. Then lower auger to its lowest position before moving.



16. Move to new location.

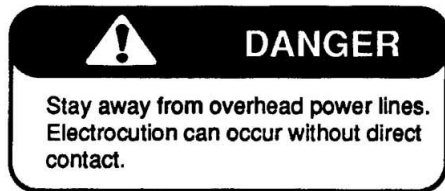
17. Refer to Section 4.11 Transporting before moving the machine

18. Reverse the above procedure when unhooking.

4.8 MACHINE PLACEMENT

Follow this procedure when placing the auger into its working position:

1. Clear the area of bystanders, especially small children, before starting.
2. Be sure there is enough clearance from overhead obstructions and power lines or other equipment to move the auger into its working position.
3. Attach the auger to the tractor (See Section 4.5).
4. Back the auger up to the storage facility while it is in its lowered configuration.
5. Set the park brake on the tractor before dismounting.
6. Use the winch to raise the auger so it clears the storage facility. Stay away from power lines.



7. If equipped with the optional hydraulic winch, use the tractor hydraulics to slowly raise the auger into position. Stay away from power lines.
8. Slowly back the auger until the outlet is over the opening in the storage facility.
9. Use the winch or hydraulics to slowly lower the outlet end of the auger until it is resting on the storage facility.
10. Place chocks in the front and rear of each wheel.



FIG. 7 MACHINE



FIG. 8 RAISING

11. Unhook the auger from the tractor or towing vehicle and lower to the ground.
12. Remove the hitch from the auger.
13. Install a hopper under the intake and secure with the straps.
14. Lower the auger again so the outlet end is resting on the storage facility.
15. If the auger is not being used with a storage facility, it will be necessary to stake or weight the intake end to prevent upending when the auger is emptying.
16. Review the Workplace Safety Diagram for your model prior to starting work. Follow all set-up instructions and do not allow any unauthorized people into the working area.

17. For the PTO Drive Models:

- a. Back tractor into position.
- b. Chock tractor wheels.
- c. Attach PTO shaft.

18. For the Electric Motor Models:

- a. Have a certified electrician provide power to the machine.
- b. Provide convenient shut-down switches and comply with local electrical codes.
- c. Use a totally enclosed electric motor when augering in extremely dusty conditions. Be sure electric motor is properly grounded.

19. For the Gas Engine Model:

- a. Place belt in its loosest position.
- b. Start engine and allow it to warm.
- c. Engage belt.

20. Reverse the above procedure when removing the auger from its working position.

4.9 OPERATING

When using the Auger, follow this procedure:

1. Clear the area of bystanders especially small children, before starting.
2. Review the Pre-Operation Checklist.
3. Review the Workplace Hazards drawing and use extra care when inside the hazard area. Keep all spectators and bystanders out of this area. Should anyone enter this area, stop the machine immediately.
4. Check that the machine is placed per section 4.6
5. On the electric drive models, be sure a certified electrician is used to provide power and shutdown switches are conveniently positioned for the operator.
6. On the gas engine model, be sure the engine assembly is in its loosest belt position.
7. On the PTO models:
 - a. Back a tractor up to the input shaft (see Section 4.5). Align the tractor axis with the input shaft so the universal joints are equal and as small as possible.
 - b. Place chocks next to tractor tires and set the park brake.
 - c. Attach the PTO shaft:
 - i. Clean the splines on the shaft and in the yoke if required.
 - ii. Check that the guard rotates freely and the drive-line telescopes easily. If not clean, lubricate or repair as required before installing.
 - iii. Retract collar on the yoke and slide yoke over the tractor shaft. Stop when the lock pin clicks into position in the groove.
 - iv. Pull on the yoke to make sure it is locked to the shaft.
 - d. Check that the yokes on each drive-line are secured to their respective shafts.
8. Check that all guards are in place and working as intended.
9. Check belt tension and alignment. There may be rapid decrease in belt tension during the first days of operation until the belts have run in. The correct operating tension is the lowest tension at which the belts will not slip under peak load conditions.
10. Drive or back the truck into position for unloading.



Fig. 10 PTO SHAFTS

11. Starting

A. PTO Models:

- a. Place all controls in neutral.
- b. Start tractor and run at low idle.
- c. Slowly engage the PTO clutch.
- d. Start the flow of grain and unload.
- e. Increase engine speed to have a PTO speed of 500 RPM.

B. Electric Motor Models:

- a. Turn the electric motor ON.
- b. Start the flow of grain and unload.

C. Gas Engine Models:

As stated earlier, Sheyenne/Westgo no longer sells gasoline engines. The following instructions are general in nature. Operating instructions provided by the engine manufacture supersede.

- a. Move engine assembly into its loosest belt position.
- b. Turn master switch to is ON position.
- c. Do not stand under auger when operating engine or engaging belt unless outlet end is supported on storage facility or the intake end is staked.
- d. Move throttle to its $\frac{1}{4}$ position for starting.
- e. Close choke if engine is cold.
- f. Turn battery power toggle switch ON.
- g. Depress Start button until engine starts. Then release it.
- h. Run for a couple of minutes until the engine warms and the choke is opened.
- i. Slow engine speed to low idle.
- j. Move engine assembly to engage belt and start the auger.

k. Increase engine speed to maximum RPM.

- l. Start the flow of grain and unload.

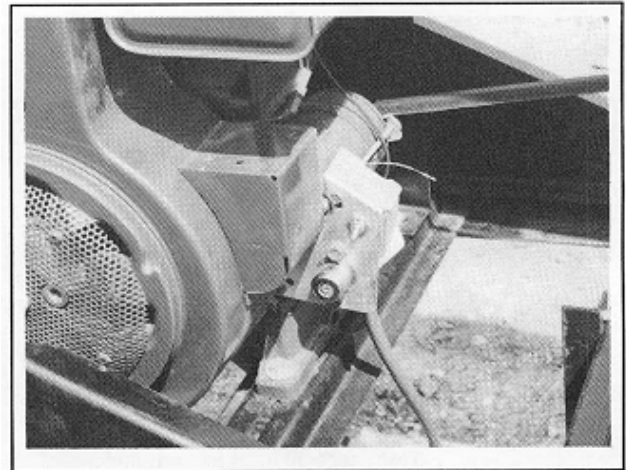


Fig. 11 GAS ENGINE

12 Stopping

A. PTO Models:

- a. Run until the tube is empty.
- b. To reduce the noise when using the GS-15 Series, reduce the engine RPM when emptying.
- c. Reduce engine speed to low idle.
- d. Disengage PTO clutch.
- e. Shut off engine.

B. Electric Motor Models:

- a. Run until the tube is empty.
- b. Turn off motor and lock out power source.

C. Gas Engine Models:

- a. Run until the tube is empty.
- b. To reduce the noise when using the GS-15 Series, reduce engine RPM when emptying.
- c. Reduce engine speed to low idle.
- d. Move engine assembly to disengage belt drive.
- e. Shut off engine.

13. Emergency Stopping:

Although it is recommended that the tube be emptied before stopping, in an emergency situation stop or shut-down the power source immediately. Correct the emergency before resuming work.

14. Restarting (full tube):

When the auger is shut down inadvertently or for an emergency, the tube will still be filled with grain. The start-up torque loads are much higher than normal when the tube is full. Restart at low idle engine speed for the PTO models. For electric motor models it may be necessary to tighten the drive belts slightly to handle the heavier than normal loads.

15. Piling

When piling grain in the open, keep the spout as low as possible to minimize wind effects. Also, the grain can build up over the transport wheels. It is recommended that the operator attach a log chain to each axle plate when the auger is positioned. Before pulling the auger out of the pile, pull the chains tight and attach to the draw-bar. This will prevent axle or frame from bending. Be sure the intake end is staked to prevent upending when emptying the auger.

16. Operating Hints:

a. Run the unit up to 500 RPM to obtain the most consistent results.

b. Always listen for any unusual sounds or noises. If any are heard, stop the machine and determine the source. Correct the problem before resuming work.

Pay particular attention to the wood lineshaft bearings on top of the tube or the flighting hanger bearings on the GS15 Series. Lubricate or replace lineshaft bearings or replace flighting hanger bearings to eliminate the noise.

c. Never allow anyone into the workplace hazard area. If anyone enters, stop immediately. Make them go before resuming work.

d. Do not run the machine for long periods of time with no grain in the tube. It is noisy and increases the wear. Try to run only when moving grain.

e. Do not move the machine by hand. Always use a tractor.

f. Set the intake end of the auger in a hopper. This reduces wasted grain and is safer because it prevents feet from getting too close to the intake end.

g. Keep intake end of auger completely covered with grain for maximum capacity.

h. On the PTO drive models, align the tractor axis with the auger input shaft to minimize the angles of the universal joints on the PTO driveline.

i. When the auger is used to put grain in a pile, the grain can build up and cover the wheels. Again, it is recommended that the operator attach a log chain to each axle when the auger is positioned. Before pulling the auger out of the pile, pull the chains tight and attach to the drawbar. This will prevent axle or frame bending.



Fig. 13 BEARING ACCESS COVERS




Fig. 14 HOPPER INTAKE

j. The PTO driveline is equipped with a shear pin in the input yoke. It will shear to protect the auger drive components should the machine plug or something jams in the flighting. Use only genuine Sheyenne/Westgo replacement parts when the pin has sheared.



Fig. 15 SHEAR PIN

4.10 TRANSPORTING

 TRANSPORT SAFETY	
<ol style="list-style-type: none">1. Read and understand ALL the information in the Operator's Manual regarding procedures and SAFETY when moving or transporting the Auger.2. Check with local authorities regarding Auger transport on public roads. Obey all applicable laws and regulations.3. Always travel at a safe speed. Use caution when making corners or meeting traffic.4. Make sure the SMV (Slow Moving Vehicle) emblem and all the lights and reflectors that are required by the local highway and transport authorities are in place, are clean and can be seen clearly by all overtaking and oncoming traffic.5. Do not allow riders on the Auger or the tractor when transporting.	<ol style="list-style-type: none">6. Attach Auger to towing vehicle with a bolt, washer and double nut. Always attach the safety chain.7. Lower Auger to its lowest position for transporting.8. Keep to the right and yield the right-of-way to allow faster traffic to pass. Drive on the road shoulder, if permitted by law.9. Do not exceed 20 mph (32 km/h). Reduce speed on rough roads and surfaces.10. Stay away from overhead obstructions and power lines when transporting. Electrocutation can occur without direct contact.11. Always use hazard warning flashers on tractor when transporting unless prohibited by law.

Sheyenne/Westgo Augers are designed to be easily and conveniently moved from place to place. When transporting, follow this procedure:

1. Be sure all bystanders are clear of the machine.
2. Attach loosely to the tractor using a hitch pin with retainer and a safety chain.

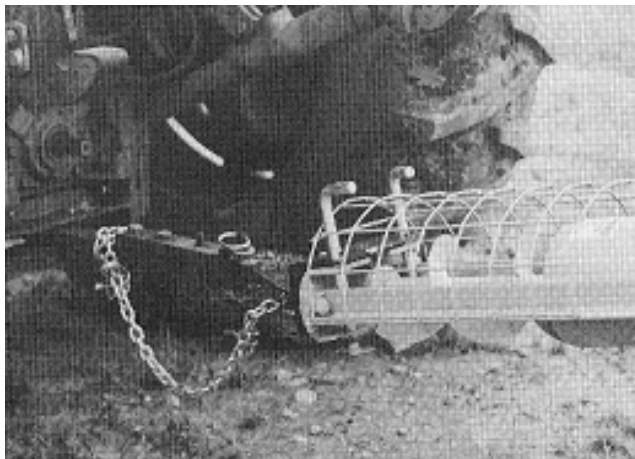
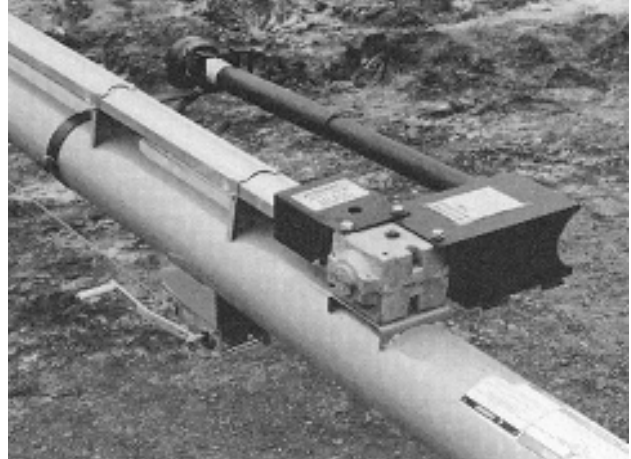


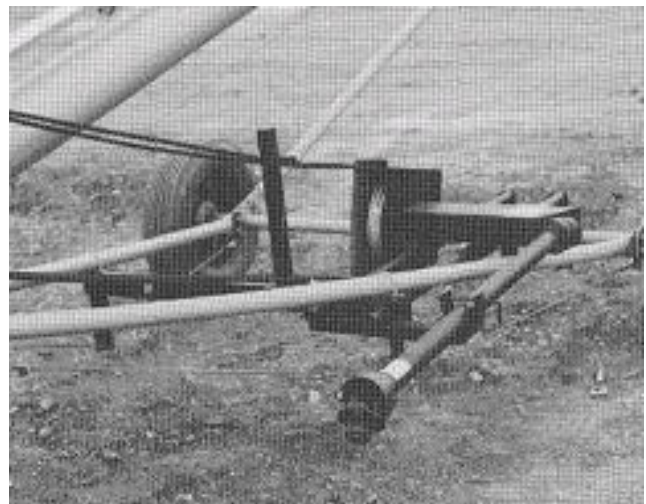
Fig. 16 ATTACHED

3. On the PTO drive models, place the driveline in its stowed position before moving or transporting.



Standard PTO Drive

4. Remove chocks from the wheels.
5. Lower the machine if required. Transport only when auger is in its lowest position.
6. Keep some tension on winch cable during transport.
7. Stay away from overhead power lines. Electrocutation can occur without direct contact.



Belt Drive - PTO Powered

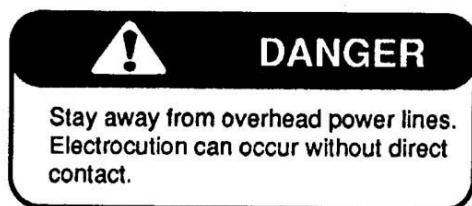


Fig. 17 STOWED PTO SHAFTS

8. Never go across slopes of more than 20 degrees! It is better to go straight up or straight down.

9. Keep to the right and yield the right-of-way to allow faster traffic to pass. Drive on the road shoulder, if permitted by law.

10. Make sure the SMV (Slow Moving Vehicle) emblem and all the lights and reflectors that area required by the local highway and transport authorities are in place, are clean and can be seen clearly by all overtaking and oncoming traffic.

11. It is not recommended that the machine be transported faster than 20 mph (30 km/h). Table 1 gives the acceptable transport speed as the ratio of tractor weight to Auger weight.

12. Do not allow riders on the machine or tractor.

13. During periods of limited visibility, use pilot vehicles or add extra lights to the machine.

14. Always use hazard flashers on the tractor when transporting unless prohibited by law.

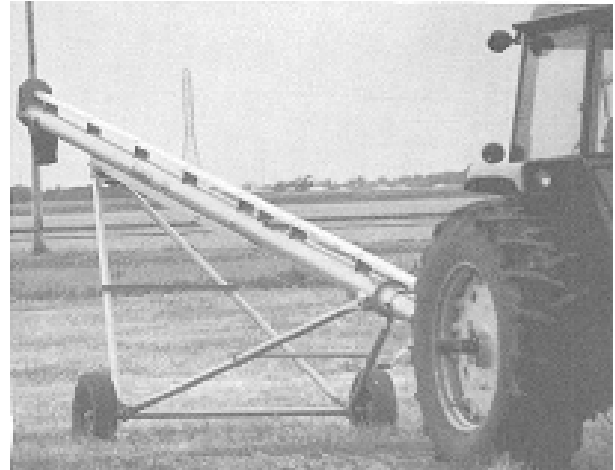


Fig. 18 TRACTOR TRANSPORT


Table 1 Speed vs Weight Ratio

<u>Road Speed</u>	<u>Weight of fully equipped or loaded implement(s) relative to weight of towing machine</u>
20 mph (Up to 32 km/h)	1 to 1, or less
10 mph (Up to 16 km/h)	2 to 1, or less
Do not tow	More than 2 to 1

5 STORAGE

After the season's use, the machine should be thoroughly inspected and prepared for storage. Repair or replace any worn or damaged components to prevent any unnecessary down time at the start of the next season. To insure a long, trouble free life, this procedure should be followed when preparing the unit for storage:

1. Remove all residual grain from the hopper and the tubes.
2. Wash the entire machine thoroughly using a water hose or a pressure washer to remove all dirt, mud, debris or residue.
3. Inspect all moving or rotating parts to see if anything has become entangled in them.
4. Lubricate all grease fittings to remove any moisture in the bearings.
5. Run the machine slowly for 1 minute to distribute lubricant to all surfaces.
6. If equipped with the optional hydraulic winch, inspect all hydraulic hoses, fittings, lines, couplers and valves. Tighten any loose fittings. Replace any hose that is badly cut, nicked or abraded or is separating from the crimped end of the fitting.
7. Touch up all paint nicks and scratches to prevent rusting.
8. Select an area that is dry, level and free of debris.

	STORAGE SAFETY
<ol style="list-style-type: none">1. Store the unit in an area away from human activity.2. Do not permit children to play on or around the stored machine.3. Lower Auger to its lowest position for storage unless placed in its operating position.	

9. If the auger is not being left in a storage facility, it should be placed in its lowest position with a slight tension on the cable. The lowered position makes the auger more stable and less vulnerable to severe winds. Sheltered areas are preferred unless excessive snow accumulates during winter months.

10. On the electric motor model, cover the motor with plastic to protect against the elements

11. On the gas engine model:

a. Remove the battery and store inside on a wooden pallet. Use a trickle charger to maintain battery charge.

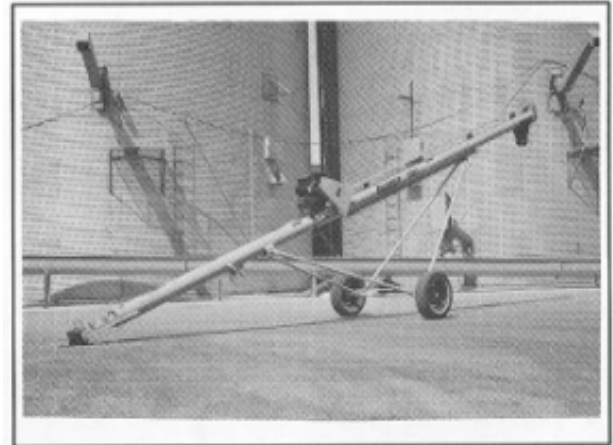
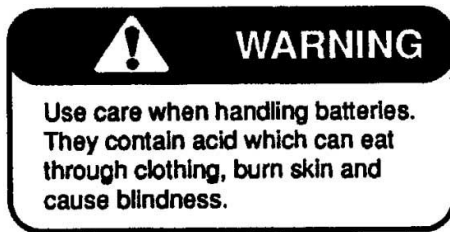


Fig. 19 STORAGE



b. Cover the engine with plastic to protect against the elements.

6 SERVICE AND MAINTENANCE



MAINTENANCE SAFETY

1. Review the Operator's Manual and all safety items before working with, maintaining or operating the Auger.
2. Stop the engine, place all controls in neutral set park brake, remove ignition key and wait for all moving parts to stop before servicing, adjusting, repairing or unplugging.
3. Wear appropriate protective gear. This list includes but is not limited to:
 - A hard hat
 - Protective shoes with slip resistant soles
 - Protective goggles
 - Heavy gloves
 - Hearing protection
 - Respirator or filter mask
6. Keep hands, feet, hair and clothing away from all moving and/or rotating parts.
7. Clear the area of bystanders, especially children, when carrying out any maintenance and repairs or making adjustments.
8. Place stands or blocks under the frame before working beneath the machine.
9. Before resuming work, install and secure all guards when maintenance work is completed.
10. Support discharge end of auger before removing or replacing any parts on the undercarriage.
11. Keep decals clean. Replace any that are damaged or not clearly visible.

6.1 SERVICE

6.1.1 FLUIDS AND LUBRICANTS

1. Grease
Use an SAE multi-purpose high temperature grease with extreme pressure (EP) performance. Also acceptable is an SAE multi-purpose lithium based grease.
2. Lubricating oil
Use a standard automotive oil for all requirements.
3. Gearbox oil
Use an SAE 80/90 gear oil for all operating conditions.
4. Storing Lubricants
Your machine can operate at top efficiency only if clean lubricants are used. Use clean container to handle all lubricants. Store them in an area protected from dust, moisture and other contaminants.

6.1.2 GREASING

Use the Maintenance Checklist provided to keep a record of all scheduled maintenance.

1. Use a hand-held grease gun for all greasing.
2. Wipe grease fitting with a clean cloth before greasing, to avoid injecting dirt and grit.
3. Replace and repair broken fittings immediately.
4. If fittings will not take grease, remove and clean thoroughly. Also clean lubricant passageway. Replace fitting if necessary.

6.1.3 SERVICING INTERVALS

8 HOURS OR DAILY

1. Grease PTO shaft (3 locations) with 1 shot of grease.

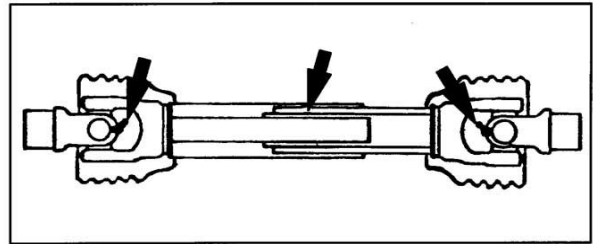


Fig. 20 PTO SHAFT

2. Grease intake bearing with 2-3 shots of grease.



Fig. 21 INTAKE BEARING

3. Check gearbox oil levels. Add as required. Maintain oil level at half full. Use SAE 80/90 lube oil.

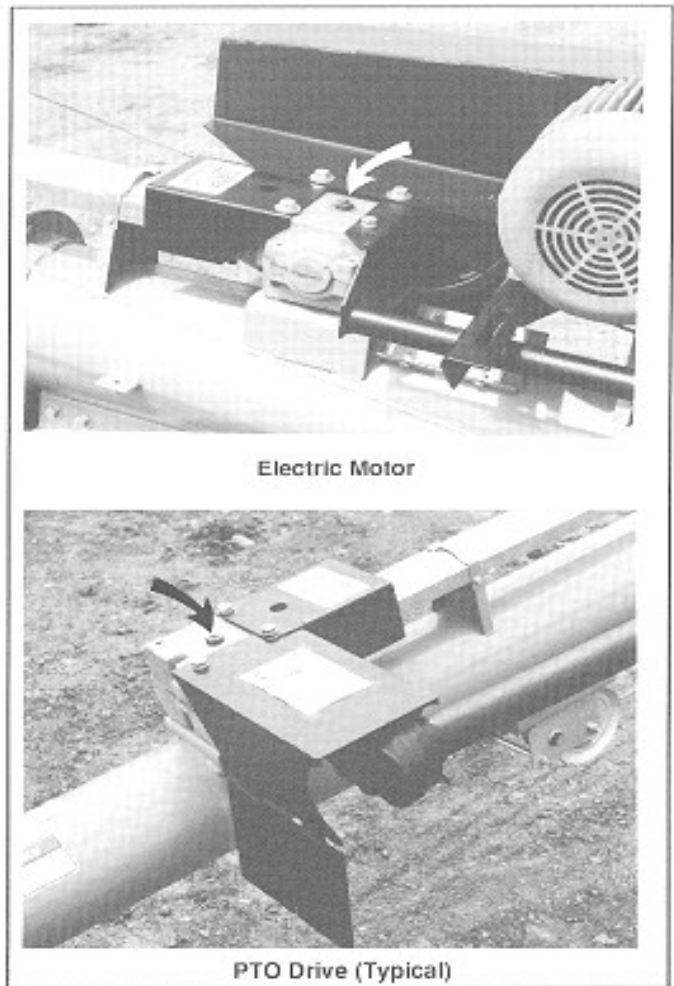


Fig. 26 GEARBOX OIL LEVEL

4. Initial oil fill requires about one quart. Do not over fill.

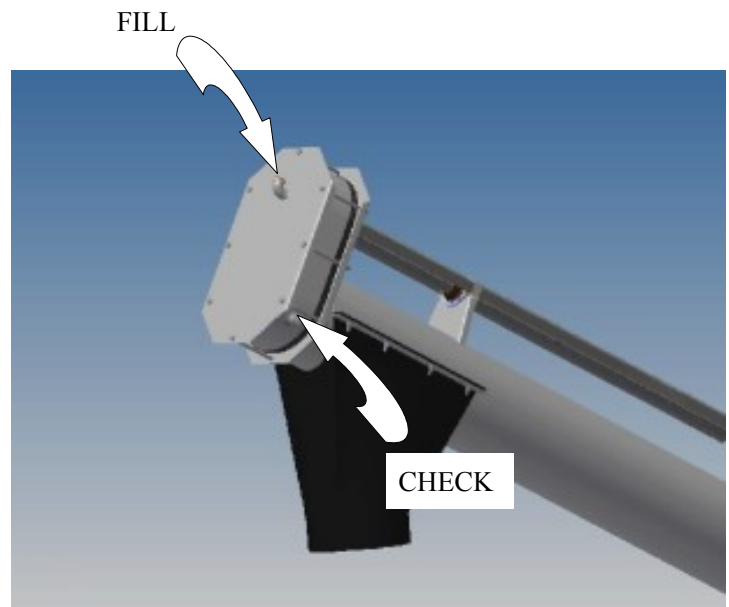


Fig. 27 FILL & OIL LEVEL CHECK PLUGS

5. On gas engine models:

- a. Check fuel level.
- b. Check oil level.

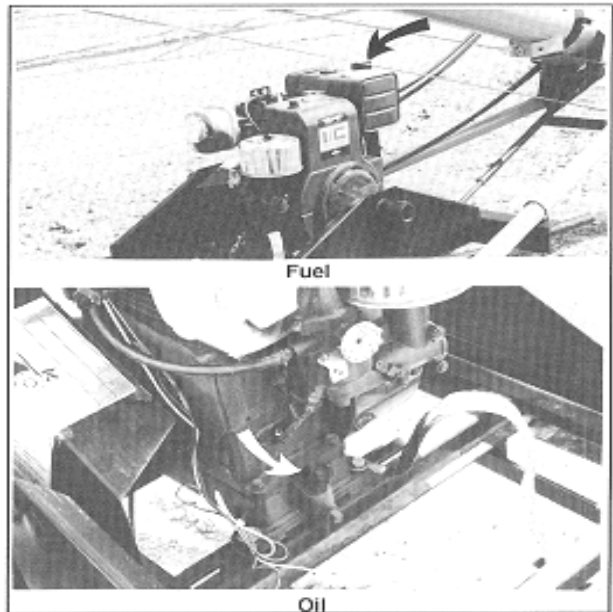
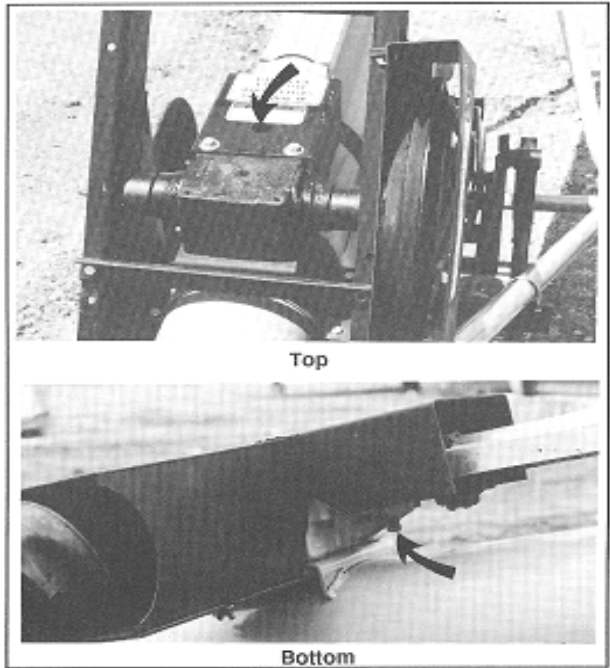


Fig 28. GAS ENGINE

Weekly or 40 Hours

- 1. Grease gearbox output bearing with 1 shot of grease (1 location).



INTAKE BEARING

Annually

1. Grease wheels with 5 shots of grease (2 locations).

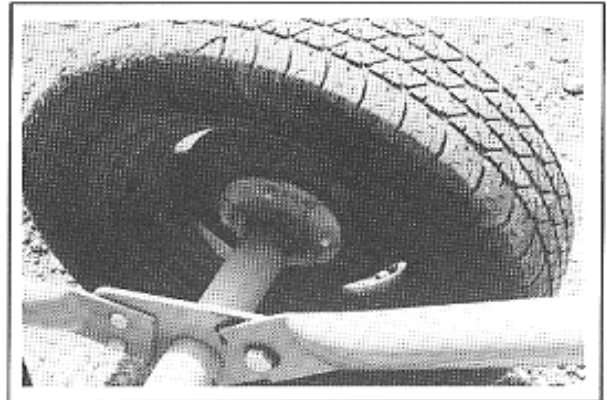


Fig 29. WHEELS

2. Clean gearbox breathers.

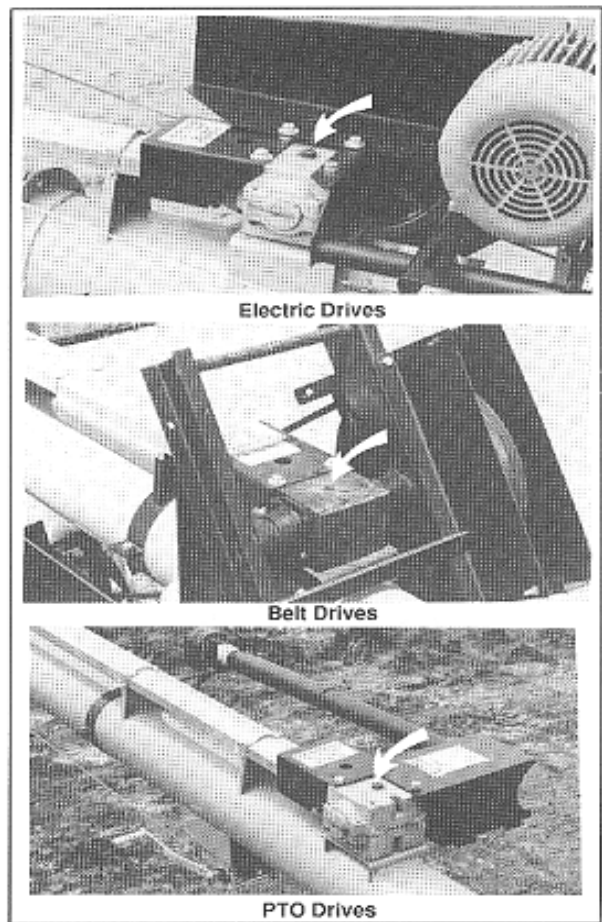


Fig. 30 GEARBOX BREATHERS

3. Lubricate chain coupler at gearbox output on larger augers.

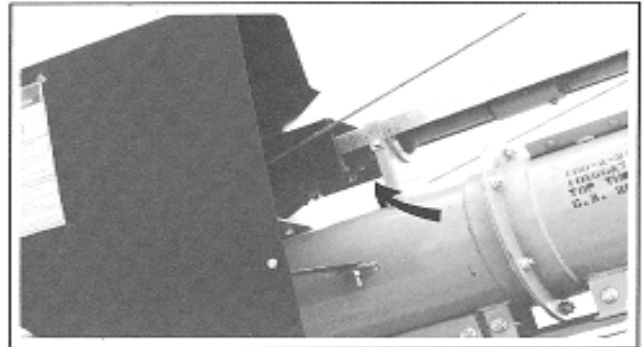


Fig. 31 CHAIN COUPLER

4. Apply oil or a spray lubricant to wood line-shaft bearings.

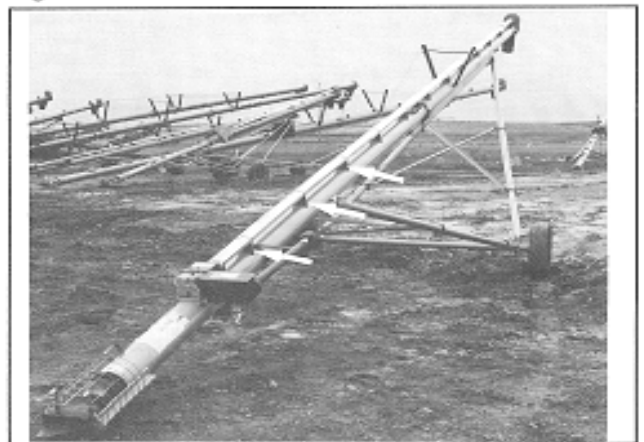


Fig. 32 LINESHAFT BEARINGS

5. For increased winch life, grease gears and hub shaft and apply a drop of oil on drive shaft bearings. Inspect shafts and bearing for wear.

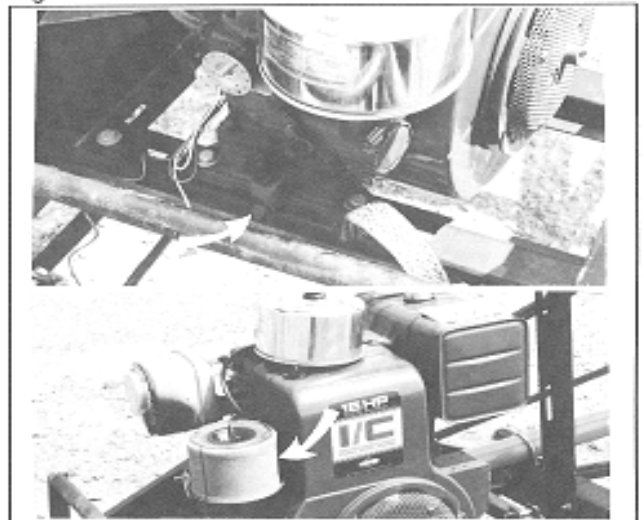


Fig. 33 GAS ENGINE

6. On gas engine models:
 - a. Change crankcase oil.
 - b. Change air filter screen.

6.1.4 SERVICE RECORD

See Lubrication and Maintenance sections for details of service. Copy this page to continue record.

ACTION CODE: ✓ CHECK CL CLEAN
 L LUBRICATE R REPACK

MAINTENANCE	HOURS																		
	SERVICED BY																		
8 Hours or Daily																			
L PTO Shaft																			
L Intake Bearing																			
✓ Gearbox oil levels																			
✓ Chain Case oil level																			
On Gas Engine Models:																			
✓ Fuel Level																			
✓ Oil Level																			
Weekly or 40 Hours																			
L Gearbox Output Bearing (1)																			
200 Hours or Annually																			
R Wheel Bearings (2)																			
CL Gearbox Breathers																			
L Winch																			

6.2 MAINTENANCE

By following a careful service and maintenance program for your machine, you will enjoy many years of trouble-free service.

6.2.1 CHAIN TENSION

The roller chain on the top end should always be adjusted so the chain has between 1/4 to 1/2 inch (6 to 12 mm) deflection in the center of the span.

To adjust, follow this procedure:

1. Stop engine and remove ignition key to stop engine and disengage drive belt or turn off motor and lock out power as appropriate.
2. Loosen the bolts in the upper bearing and head plate.
3. Loosen the bolts in two line-shaft bearings.
4. Tap or slide the upper bearing to give the required chain tension.
5. Check the tension. The center of the span should deflect 1 /4 to 1/2 inch (6 to 12 mm)
6. Tighten the head plate bolts and the line-shaft bearing bolts to their specified torque.
7. By adjusting the line-shaft bearings, the bow in the line-shaft will be minimized. See Fig. 34

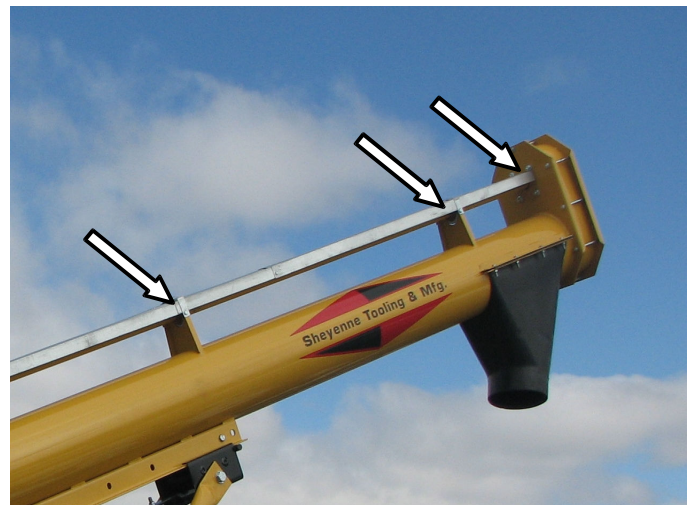


Fig 34 ADJUSTING LINESHAFT BEARINGS

6.2.2 SHEAR PIN

The input drive-line is equipped with a shear pin to protect against overloads.

To replace pins, follow this procedure:

1. Stop engine and remove ignition key.
2. Remove yoke from the shaft on the tractor.
3. Remove the pin parts remaining in the yoke.
4. Install a new pin using genuine Sheyenne/Westgo parts and tighten.
5. Install yoke on the shaft. Be sure it is locked in place.

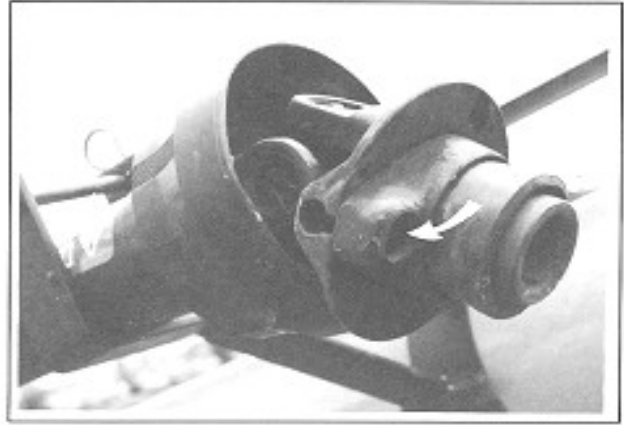


Fig. 35 SHEAR PIN

6.2.3 TRUSS CABLES

The longer augers are equipped with a set of truss cables to keep it straight. Adjust the eye-bolts on the end of each cable as required to keep the tube straight.

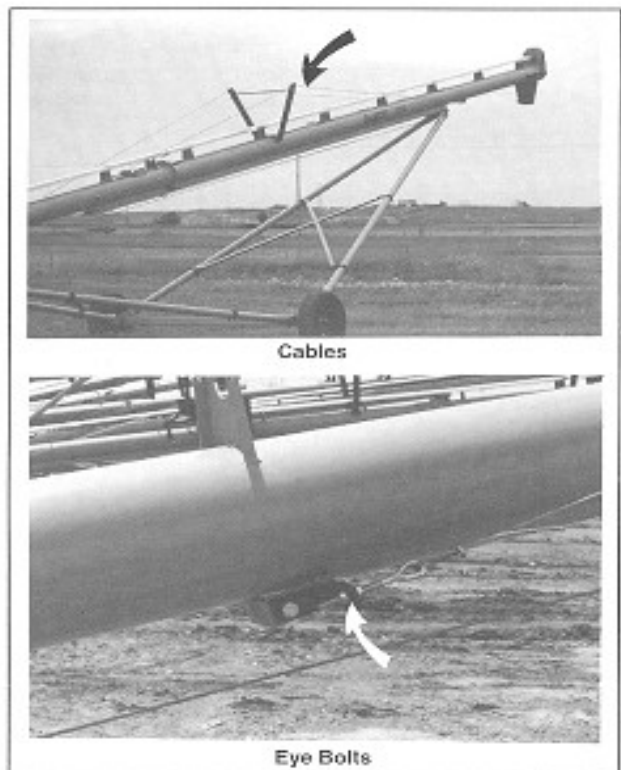


Fig. 36 TRUSS CABLES

6.2.4 BELT TENSION

Power is transmitted to the auger through a drive belt(s) that must have the proper tension and be in good condition. The belt drive must be checked frequently and adjusted as required during break-in. Wear and age can cause the belts to stretch and require adjusting. Set the tension so the belts will not slip when the auger is loaded.

To set the tension or replace the belt(s), follow this procedure:

1. Clear the area of bystanders, especially small children.
2. Remove power as appropriate:
 - a. Disconnect PTO Shaft from tractor.
 - b. Turn gas engine OFF and loosen belt drive.
 - c. Turn electric motor OFF and lock out power at master panel.
3. Loosen power source mounting frame:
 - a. On input pulley frame.
 - b. On gas engine frame.
 - c. On electric motor frame.
4. Slide or tap the assembly into the required position. Be sure to keep the pulleys in alignment. The correct belt tension is when the belt does not slip under its heaviest load.
5. Tighten mounting bolts to their specified torque.
6. When replacing the belt(s).
 - a. Remove the guard over the pulleys if required.
 - b. move power source frame so belt is in its loosest position.
 - c. Remove old belt(s) and replace with genuine Sheyenne/Westgo replacement parts.
 - d. Move power source assembly to its required position.
 - e. Be sure the pulleys are aligned.
 - f. Tighten mounting bolts to their specified torque.
 - g. Install and tighten guard mounting bolts.
 - h. Check belt tension every couple of hours during break-in.

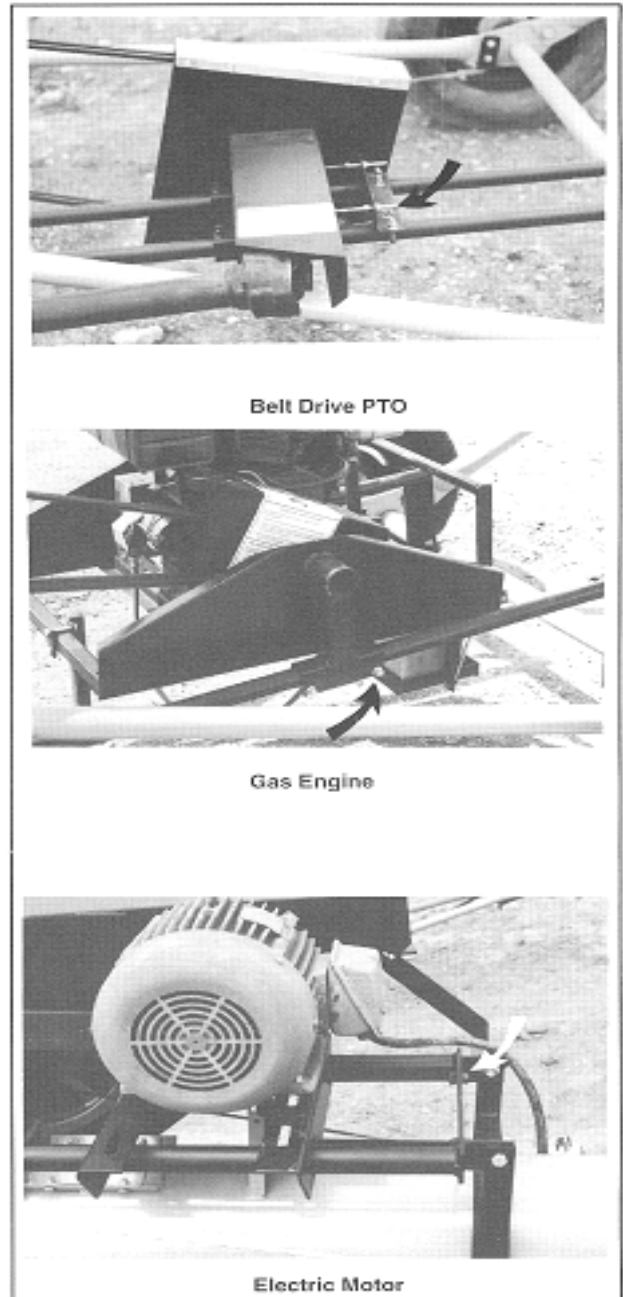


Fig. 37 MOUNTING FRAME

6.2.4 BELT TENSION (CONT.)

7. The drive pulleys must be kept in alignment when adjusting belt tension or replacing a belt to minimize belt wear.

a. Remove guards if required from the belt drive system.

b. Sight along the pulleys or use straight edge.

c. If the edges of a pulley is out by more than 1/16 inch (1.3 mm), loosen the pulley assembly and realign.

d. Tighten assembly mounting bolts to their specified torque.

e. Install guards and tighten mounting bolts to their specified torque.

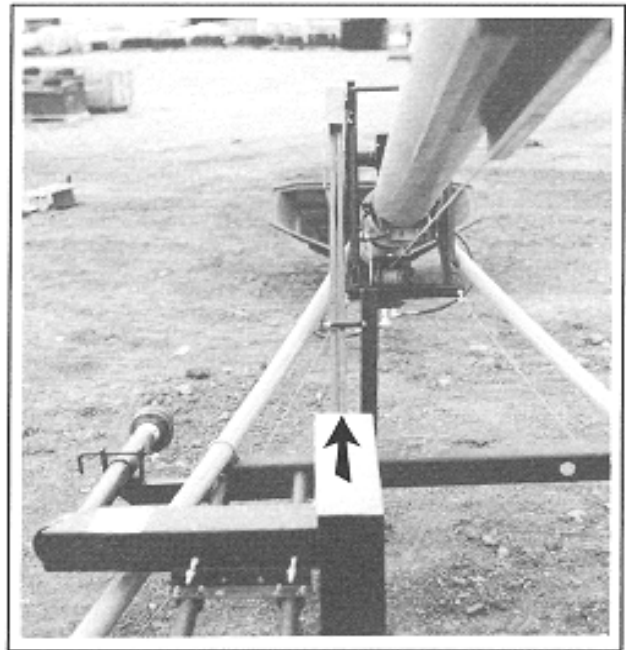


Fig. 38 PULLEY ALIGNMENT

6.2.5 PTO DRIVELINE GUARD

The shield must turn freely on the PTO shaft. Daily lubrication of both shield bearings and periodic cleaning will ensure safe operation of the shield.

If the shield is damaged or worn, replace the components with original brand name parts.

DISASSEMBLY AND ASSEMBLY See pages 82 and 83 for reference.

1. Keep the cone pressed down and release the collar catches by pushing in with a screw driver.
2. Spread the collar bearing and remove from the tube. Clean the collar and the bearing groove. Grease the bearing groove.
3. Fit the collar bearing into the groove and the plastic tube. The collar catches must be centered over the matching holes. The plastic tube and bearing must rotate freely in the bearing groove.
4. To fasten the cone, line up the cone grease fitting over the grease filling hole on the collar bearing. Check that all catches are engaged. The shield must turn freely over shaft.

6.2.6 BREATHER CLEANING

Each gearbox is equipped with a breather that allows the gearbox to vent to atmosphere as the internal temperature changes. If the breather is plugged, it can cause a pressure build-up inside and lead to leaking seals.

To clean the breather, follow this procedure:

1. Remove breather from the gearbox.
2. Soak in a good solvent for an hour.
3. Blow out with an air hose.
4. Be sure the passage is clear.
5. Install in gearbox and tighten.

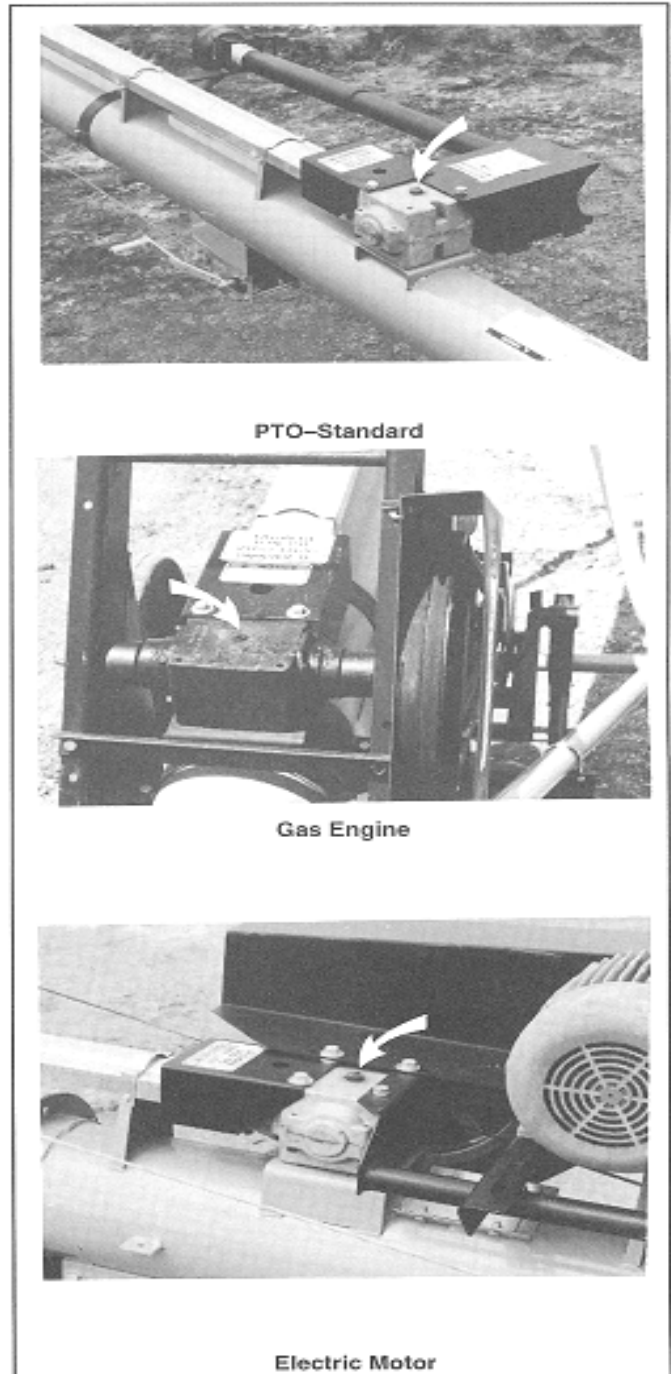


Fig. 39 BREATHER

6.2.7 CHANGING ENGINE OIL

1. Review the Operator's Manual for the engine.
2. Disconnect battery cable, turn master switch OFF and wait for all moving parts to stop.
3. Allow the engine to cool before changing the oil. Hot oil can cause burns if it contacts exposed skin. It is best to change oil while the engine is warm to keep the contaminants in suspension.
4. Place a pan under the drain plug.
5. Remove the drain and level plug and allow the oil to drain for 10 minutes.
6. Install and tighten the drain plug.
7. Dispose of the used oil in an approved container.
8. Fill the crankcase with specified oil and install level plug.
9. Run the engine for 1-2 minutes and check for oil leaks.
10. If leaks are found around the drain plug, tighten slightly. Repeat step 9.
11. Check engine oil level. Top up as required.

6.2.8 FLIGHTING BEARINGS, GS20 SERIES

On the GS20 Series auger the flighting is supported by hanger bearings every 10 feet (3 m). Although they do not require lubrication, they can fail after extended periods of use. Normally failure will be accompanied by an increase in noise level. Access covers on the top of the tubing allow access for bearing replacement.

(cont.)

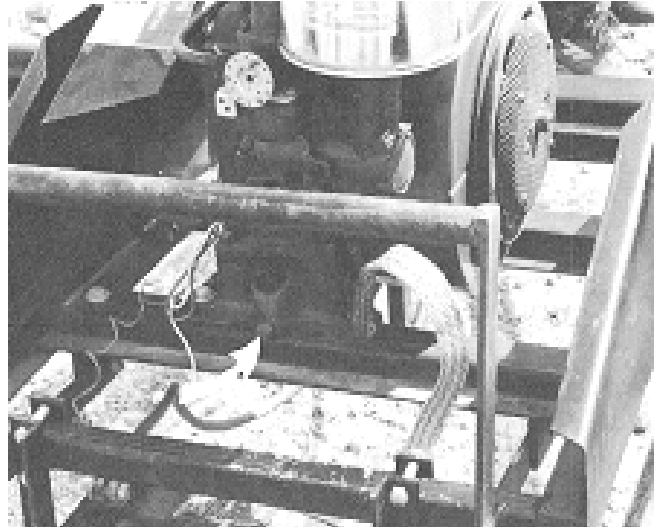
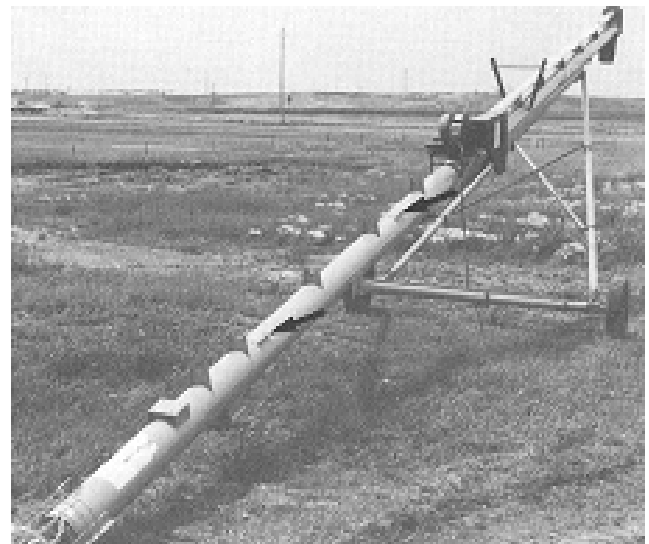


Fig. 41 ENGINE DRAIN PLUG



**Fig. 42 BEARING REPLACEMENT
(Access Covers)**

6.2.8 FLIGHTING BEARINGS, GS20 SERIES (CONT.)

To replace bearing, follow this procedure:

1. Clear the area of bystanders, especially small children.
2. Remove power as appropriate:
 - a. Disconnect PTO shaft from tractor.
 - b. Turn gas engine OFF and loosen belt drive.
 - c. Turn electric motor OFF and lock out power at master panel.
3. Remove access cover next to failed bearing and the access covers the rest of the way down the auger. See fig. 42.
4. Remove bolts from the hanger bearings next to the access cover holes.
5. Remove intake bearing assembly from the bottom of the auger.
6. Replace the hanger bearing that has failed. See fig. 43. **Use only genuine Sheyenne/Westgo replacement parts.**

IMPORTANT TIMING INFORMATION

7. Slide flighting sections and bearing assemblies back into tube. The hex shafts and the flighting sockets to which they mate **“time”** the flighting. To do justice to this very important topic we direct you to page 53.

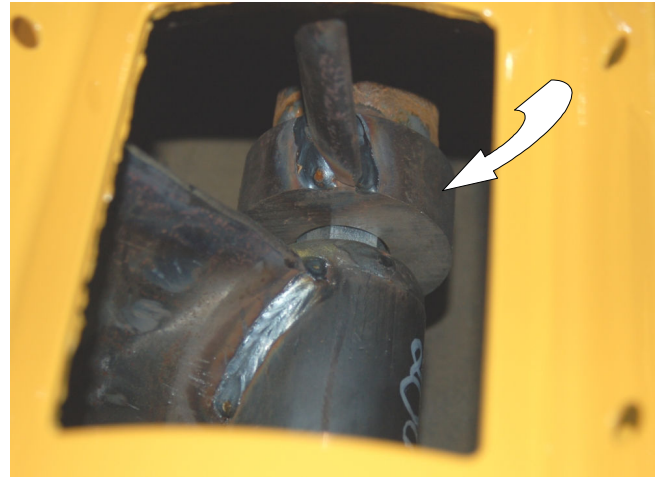


Fig. 43 BEARING REPLACEMENT

CORRECT TIMING

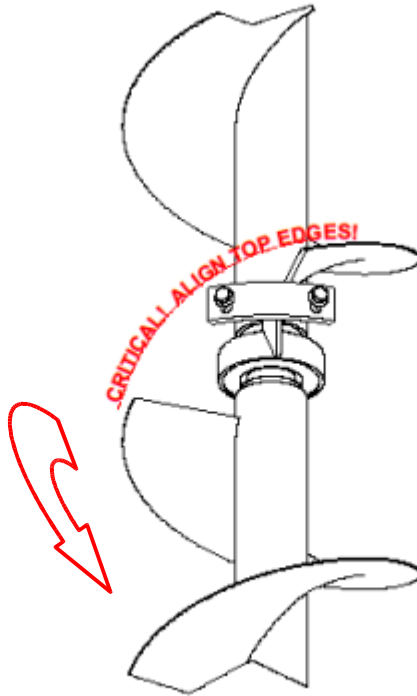


Fig. 44a

The hex connecting shafts that engage adjacent flightings allow only six assembly options. Move the lower section all the way up to the hanger bearing and observe the alignment. It is likely that you will not be able to achieve the perfect “flow” shown above. If not, slide the section of flighting back down the tube enough to clear the hex shaft and rotate the outer edge left and down (as indicated by the arrow) until you can engage the next hex shaft corner. Move the flighting section back up to the hanger bearing and check again. If you have to be “advanced” a few degrees, that's OK.

We at Sheyenne/Westgo think it is worth your while to open all access covers and check for proper assembly. The auger capacity and life of the flighting are significantly affected.

INCORRECT TIMING

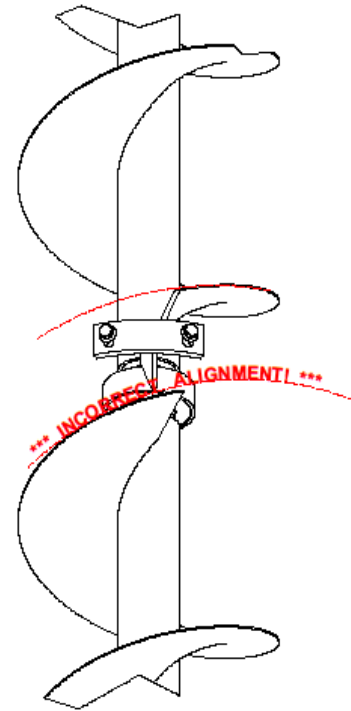


Fig. 44b

When flighting sections are assembled as shown here, grain is brought up from below and “packed” in behind the next flighting section. This significantly reduces capacity and increases flighting wear.

If you are the person assembling auger flighting sections and the above alignment happens, correct it. If you open access covers and find this, correct it.

8. With all sections properly timed, reinstall access covers and tighten mounting bolts to their specified torque.

7 TROUBLE SHOOTING

The Sheyenne/Westgo Portable Auger uses rotating flighting to move grain. It is a simple and reliable system that requires minimal maintenance.

In the following section, we have listed many of the problems, causes and solutions to the problems that you may encounter.

If you encounter a problem that is difficult to solve, even after having read through this trouble shooting section, please call your local Sheyenne/Westgo dealer. Before you call, please have this Operator's Manual and the serial number from your machine ready.

PROBLEM	CAUSE	SOLUTION
Auger doesn't turn	Broken shear pin Bad belt	Replace shear pin Adjust belt tension or replace belt
Poor capacity	Flighting sections not timed properly. (GS20 Augers)	Open access covers and check alignment. If incorrect, disassemble and correct per pages 52 and 53.
	Incorrect PTO speed	This auger should operate at 500 RPM. (Over speeding will reduce capacity as much as under speeding).
	Improper Feeding	Intake end should be completely covered with grain
	Worn flighting at intake end	Replace flighting
Auger will not raise	Winch worn or broken	Replace winch
	Cable not in pulley	Put cable in cable groove
	Restriction in hydraulic (Optional hydraulic winch)	Check hydraulic line for restriction
Auger bows	Truss cables not properly adjusted	Adjust trussing
Excessive belt wear	Pulleys not aligned Loose belts	Align pulleys Adjust pulleys
Excessive chain wear	Sprockets misaligned	Align sprockets
	Chain too tight or too loose	Adjust chain tension until it can be deflected about 1/4" with your thumb
Auger chatters or makes noise upon starting	Lineshaft wood bearing is dry	Spray WD40 or equivalent on lineshaft between lineshaft and wood

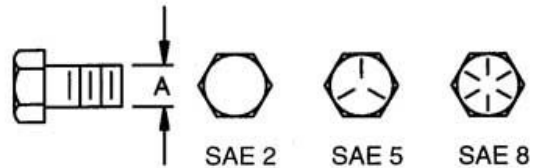
8 SPECIFICATIONS

8.1 BOLT TORQUE

The tables shown below give correct torque values for various bolts and capscrews. Tighten all bolts to the torques specified in chart unless otherwise noted. Check tightness of bolts periodically, using bolt torque chart as a guide. Replace hardware with the same strength bolt.

ENGLISH TORQUE SPECIFICATIONS

Bolt Diameter "A"	Bolt Torque*					
	SAE 2		SAE 5		SAE 8	
	N.m	(lb-ft)	N.m	(lb-ft)	N.m	(lb-ft)
1/4"	8	(6)	12	(9)	17	(12)
5/16"	13	(10)	25	(19)	36	(27)
3/8"	27	(20)	45	(33)	63	(45)
7/16"	41	(30)	72	(53)	100	(75)
1/2"	61	(45)	110	(80)	155	(115)
9/16"	95	(70)	155	(115)	220	(165)
5/8"	128	(95)	215	(160)	305	(220)
3/4"	225	(165)	390	(290)	540	(400)
7/8"	230	(170)	570	(420)	880	(650)
1"	345	(225)	850	(630)	1320	(970)

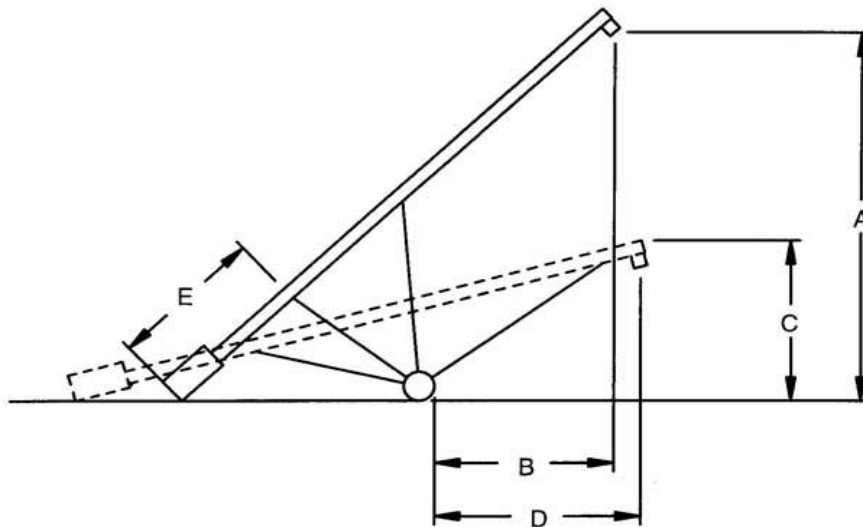


Torque figures indicated above are valid for non-greased or non-oiled threads and heads unless otherwise specified. Therefore, do not grease or oil bolts or cap screws unless specified in this manual. When using locking elements, increase torque values by 5%.

- Torque value for bolts and cap screws are identified by their head markings.

9 MECHANICAL

AUGER LENGTH	A	B	C	D	E	AXLE WIDTH
30'	19' 2"	9' 0"	10' 2"	12' 0"	9' 3"	6' 3"
40'	25' 10"	13' 6"	11' 6"	14' 10"	12' 1"	7' 8"
50'	33' 4"	15' 0"	12' 6"	20' 4"	14' 11"	7' 10"
56'	37' 2"	16' 3"	13' 0"	22' 10"	15' 9"	8' 6"
60'	40' 6"	19' 8"	13' 0"	26' 2"	15' 9"	12'-14' 6"
70'	48' 6"	23' 5"	13' 8"	31' 1"	20' 4"	12'-14' 6"



HORSEPOWER REQUIREMENTS		
Auger Length	8" Elec.	10" Elec.
30'	5	7.5
40'	7.5	10
50'	7.5	NA
56'	7.5	NA
60'	10	15
70'	10	20

PARTS SECTION

TABLE OF CONTENTS

Alphabetical Order

DESCRIPTION	PAGE
About Pages 58 Thru 89 and Pages 90 Thru 95	57a
Assembled Parts Index	91
Belt Drive PTO Components	76 & 77
Chain Case Components (8" Augers)	69
Chain Case Components (10" Augers)	70
Decals	88
Electric Motor Drive (8" Augers)	73
Electric Motor Drive (10" Augers)	74
Exploded Assemblies, 10 x 30 & 10 x 40 w/ Design Changes	90 Thru 95
Fab Parts Index	97
Gas Drive Components	78 Thru 81
Gearboxes, Prairie (8" & 10" Augers)	87
Gearbox, Superior	84
Gearbox, Superior	85
Gearbox, Superior	86
General Parts Index	97 Thru 105
Hardware Index	96
Helicoids (Model GS15)	62
Helicoids (Model GS20)	63
Hydraulic Winch	89
Intake End Components	68
Lineshaft Components	64 & 65
Miscellaneous, spouts, access covers, 4 bolt hub and rim	71
PTO Shaft, Weasler 12R, 1" Bore	82
PTO Shaft, Weasler 14R, 1-1/4" Bore	83
Standard PTO Drive Components	75
Transport	66 & 67
Trussing Components	72
Tube Sections (8" Augers)	58 & 59
Tube Sections (8" Augers)	58 & 59
Tube Sections (10" Augers)	60 & 61
Walking tandem wheel option. 5 bolt hub and rim	96
Index	97 - 106

About This Section

Just inside the cover of this manual (page i) we show a chart with the sizes, models, lengths and drive options included in the manual. There are a total of 49 combinations.

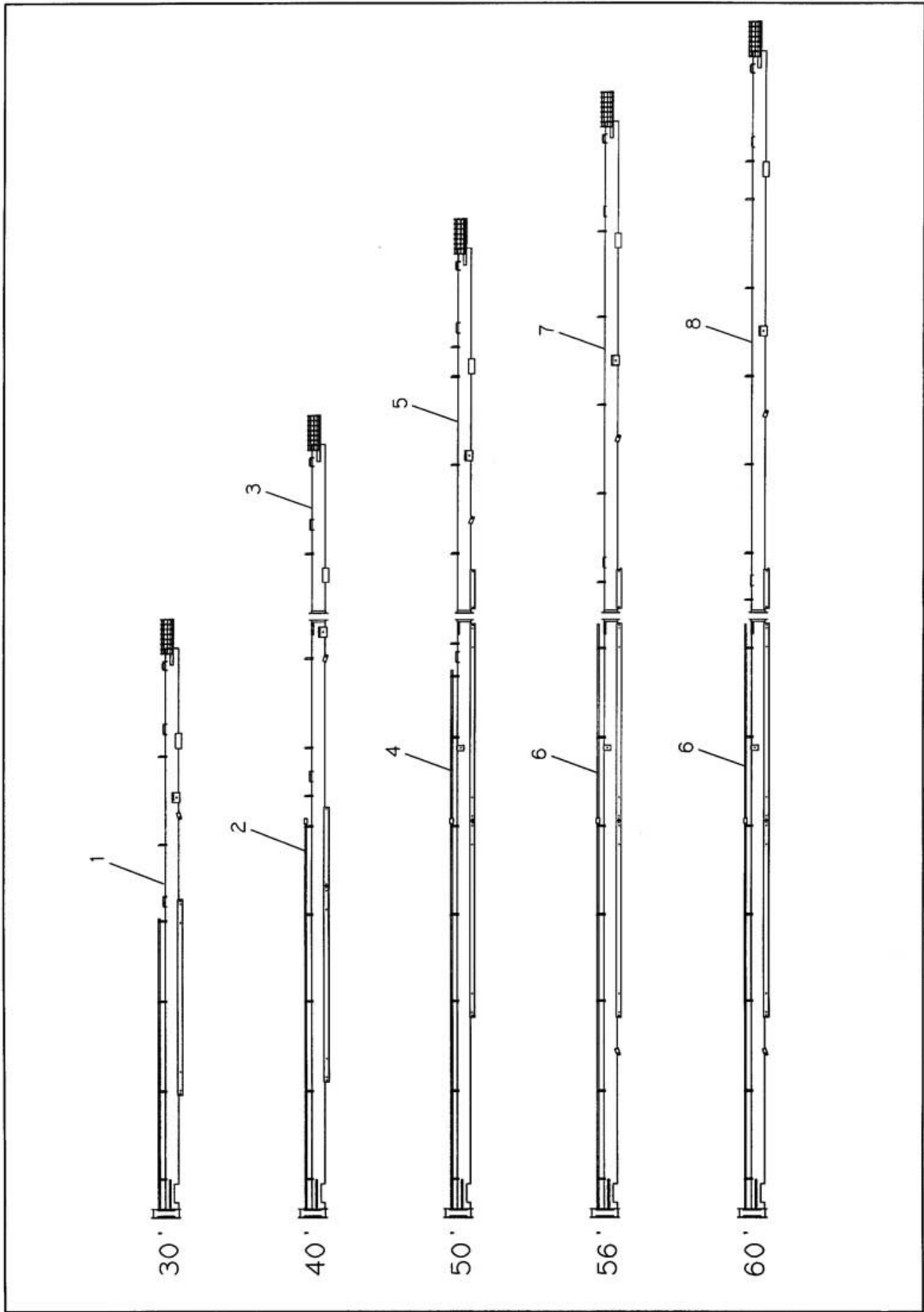
Many are commonly built, but others are seldom made.

Pages 58 through 89 divide these augers down by systems in such a way that cover all 49 sizes, models, length and drive options.

Pages 90 through 95 takes the two most common Gold Series augers and shows them as whole augers. They are shown as exploded assemblies.

If you happen to have one of these two specific augers, pages 90 through 95 may be all you need to identify parts. If you have other sizes, *etc.*, these two exploded views may be helpful, but you'll need information and part numbers from pages 58 through 89 for your specific auger.

It may be best to familiarize yourself with both sections.



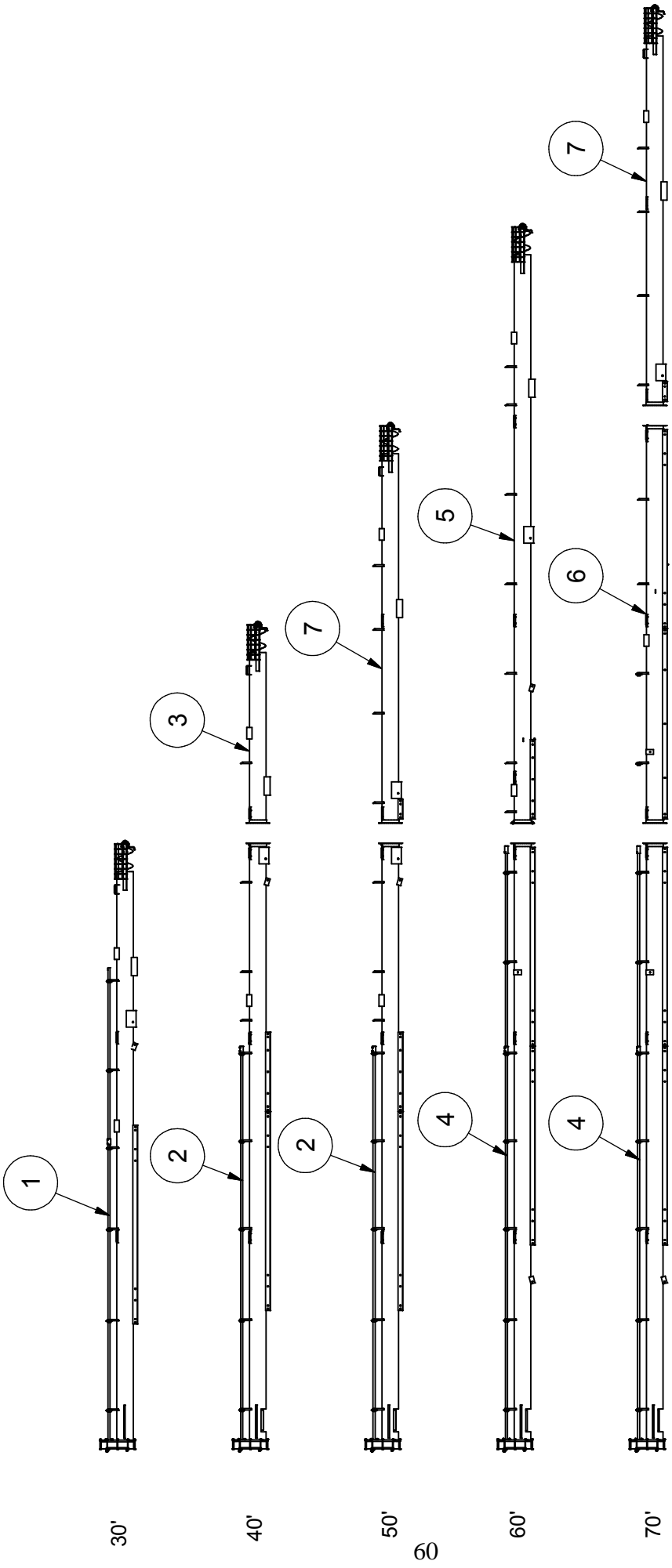
8 INCH TUBES

TUBE SECTIONS - 8" AUGERS

(Model GS15 are without Hanger Bearings)

(Model GS20 are with Hanger Bearings)

REF	PART NO.	DESCRIPTION	QTY
1	100-2-2089	Tube Weldment, 30' Model GS15	1
	100-2-2148	Tube Assembly, 30' Model GS15	1
	100-2-3070	Tube Assembly, 30' Model GS15, LGD	1
	100-2-2092	Tube Weldment, 30' Model GS20	1
	100-2-2125	Tube Assembly, 30' Model GS20	1
	100-2-3073	Tube Assembly, 30' Model GS20, LGD	1
2	100-2-2090	Top Tube Weldment, 40' Model GS15	1
	100-2-2149	Top Tube Weldment 40' Model GS15	1
	100-2-3071	Top Tube Assembly, 40' Model GS15, LGD	1
	100-2-2093	Top Tube Weldment, 40' Model GS20	1
	100-2-2126	Top Tube Assembly, 40' Model GS20	1
	100-2-3074	Top Tube Assembly, 40' Model GS20, LGD	1
3	100-2-2166	Bottom Tube Weldment, 40' Model GS15	1
	100-2-2158	Bottom Tube Assembly, 40' Model GS15	1
	100-2-2105	Bottom Tube Weldment, 40' Model GS20	1
	100-2-2136	Bottom Tube Assembly, 40' Model GS20	1
4	100-2-2595	Top Tube Weldment, 50' Model GS15	1
	100-2-2150	Top Tube Assembly, 50' Model GS15	1
	100-2-3072	Top Tube Assembly, 50' Model GS15, LGD	1
	100-2-2597	Top Tube Weldment, 50' Model GS20	1
	100-2-2127	Top Tube Assembly, 50' Model GS20	1
	100-2-3075	Top Tube Assembly, 50' Model GS20, LGD	1
5	100-2-2107	Bottom Tube Weldment, 50' Model GS15	1
	100-2-2159	Bottom Tube Assembly, 50' Model GS15	1
	100-2-2110	Bottom Tube Weldment, 50' Model GS20	1
	100-2-2137	Bottom Tube Assembly, 50' Model GS20	1
6	100-2-2091	Top Tube Weldment, 56',60' Model GS15	1
	100-2-2151	Top Tube Assembly, 56',60' Model GS15	1
	100-2-2094	Top Tube Weldment, 56',60 Model GS20	1
	100-2-2128	Top Tube Assembly, 56',60' Model GS20	1
7	100-2-2617	Bottom Tube Weldment, 56' Model GS15	1
	100-2-2619	Bottom Tube Assembly, 56' Model GS15	1
	100-2-2616	Bottom Tube Weldment, 56' Model GS20	1
	100-2-2618	Bottom Tube Assembly, 56' Model GS20	1
8	100-2-2108	Bottom Tube Weldment, 60' Model GS15	1
	100-2-2160	Bottom Tube Assembly, 60' Model GS15	1
	100-2-2111	Bottom Tube Weldment, 60' Model GS20	1
	100-2-2138	Bottom Tube Assembly, 60' Model GS20	1



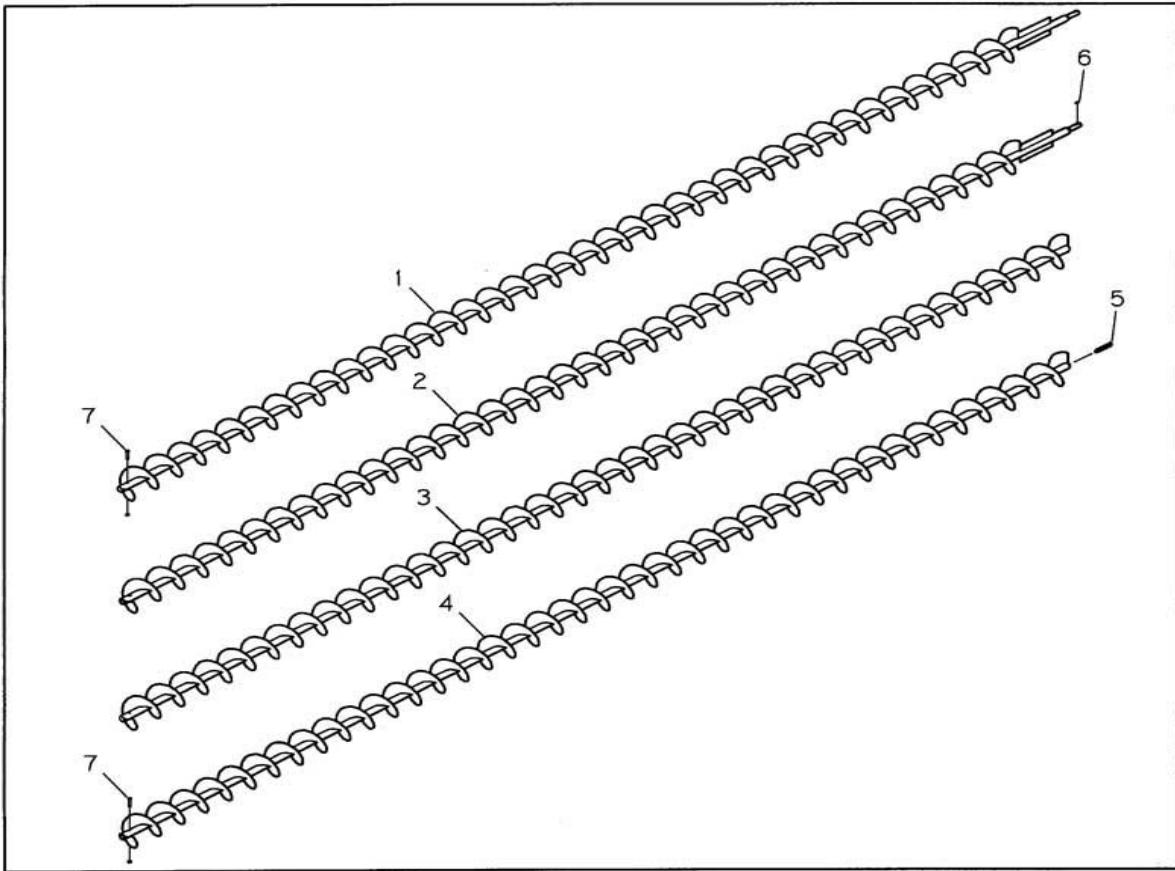
10 INCH TUBES

TUBE SECTIONS - 10" AUGERS

(Model GS15 are without Hanger Bearings)

(Model GS20 are with Hanger Bearings)

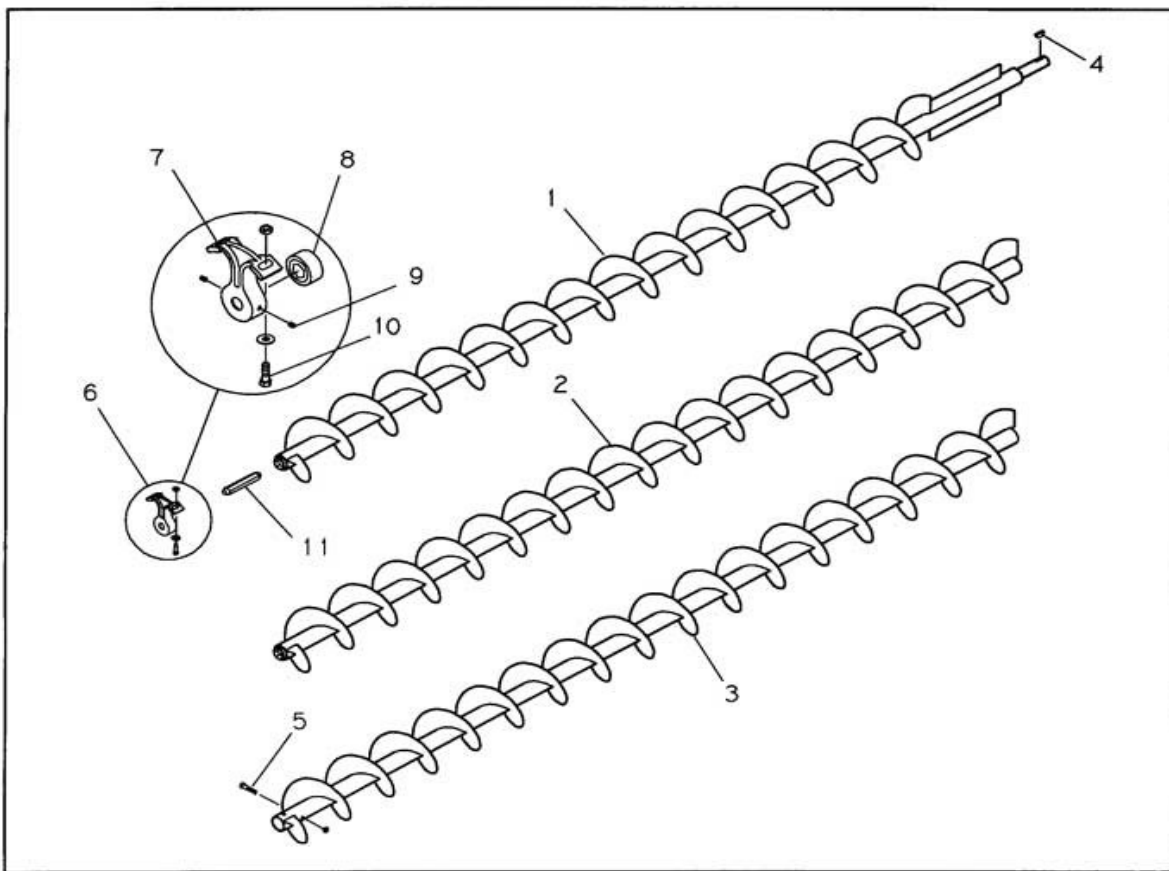
REF	PART NO.	DESCRIPTION	QTY
1	100-2-2095	Tube Weldment, 30' Model GS15	1
	100-2-2152	Tube Assembly, 30' Model GS15	1
	100-2-2098	Tube Weldment, 30' Model GS20	1
	100-2-2129	Tube Assembly, 30' Model GS20	1
	100-2-3076	Tube Assembly, 30' Model GS20, LGD	1
2	100-2-2096	Top Tube Weldment, 40' & 50' Model GS15	1
	100-2-2153	Top Tube Assembly, 40' & 50' Model GS15	1
	100-2-2099	Top Tube Weldment, 40' & 50' Model GS20	1
	100-2-2130	Top Tube Assembly, 40' & 50' Model GS20	1
3	100-2-2167	Bottom Tube Weldment, 40' Model GS15	1
	100-2-2162	Bottom Tube Assembly, 40' Model GS15	1
	100-2-2106	Bottom Tube Weldment, 40' Model GS20	1
	100-2-2140	Bottom Tube Assembly, 40' Model GS20	1
4	100-2-2097	Top Tube Weldment, 60' & 70' Model GS15	1
	100-2-2155	Top Tube Assembly, 60' & 70' Model GS15	1
	100-2-2100	Top Tube Weldment, 60' & 70' Model GS20	1
	100-2-2132	Top Tube Assembly, 60' & 70' Model GS20	1
5	100-2-2114	Bottom Tube Weldment, 60' Model GS15	1
	100-2-2164	Bottom Tube Assembly, 60' Model GS15	1
	100-2-2117	Bottom Tube Weldment, 60' Model GS20	1
	100-2-2142	Bottom Tube Weldment, 60' Model GS20	1
6	100-2-2103	Center Tube Weldment, 70' Model GS15	1
	100-2-2157	Center Tube Assembly, 70' Model GS15	1
	100-2-2104	Center Tube Weldment, 70' Model GS20	1
	100-2-2134	Center Tube Assembly, 70' Model GS20	1
7	100-2-2115	Bottom Tube Weldment, 50' & 70' Model GS15	1
	100-2-2165	Bottom Tube Assembly, 50' & 70' Model GS15	1
	100-2-2118	Bottom Tube Weldment, 50' & 70' Model GS20	1
	100-2-2143	Bottom Tube Assembly, 50' & 70' Model GS20	1



HELICOIDS (Model GS15)

REF.	PART NO.	DESCRIPTION	QTY.
1	100-2-2176	Helicoid, 8" x 30' (362-5/8" O.A.L.) *	1
	100-2-2600	Helicoid, 10" x 30' (362-5/8" O.A.L.)	1
2	100-2-2174	Top Helicoid, 8" x 40', 50' and 60' (364" O.A.L.)	1
	100-2-2594	Top Helicoid, 10" x 40', 50', 60' and 70' (364" O.A.L.)	1
3	100-2-2011	Center Helicoid, 10" x 70' (240" O.A.L.)	1
4	100-2-2177	Bottom Helicoid, 8" x 40' (118-3/8" O.A.L.)	1
	100-2-2604	Bottom Helicoid, 10" x 40' (118-3/8" O.A.L.)	1
	100-2-2178	Bottom Helicoid, 8" x 50' (238-3/8" O.A.L.)	1
	100-2-2620	Bottom Helicoid, 8" x 56' (315-3/8" O.A.L.)	1
	100-2-2179	Bottom Helicoid, 8" x 60' (358-3/8" O.A.L.)	1
	100-2-2606	Bottom Helicoid, 10" x 60' (358-3/8" O.A.L.)	1
	100-2-2605	Bottom Helicoid, 10" x 50' and 70' (238-3/8" O.A.L.)	1
5	100-3-2636	Hex Shaft, 7/8" (8" Augers)	1
	100-3-2396	Hex Shaft, 1-1/8" (10" Augers)	1
6	900-27033	#21 Woodruff Key	1
7	900-01117	3/8" NC x 2" Hex Bolt (8" Augers)	2
	900-01121	3/8" NC x 2-1/2" Hex Bolt (10" GS15, 8" GS20)	2
	900-01237	1/2" NC x 3" Hex Bolt (10" GS20)	2

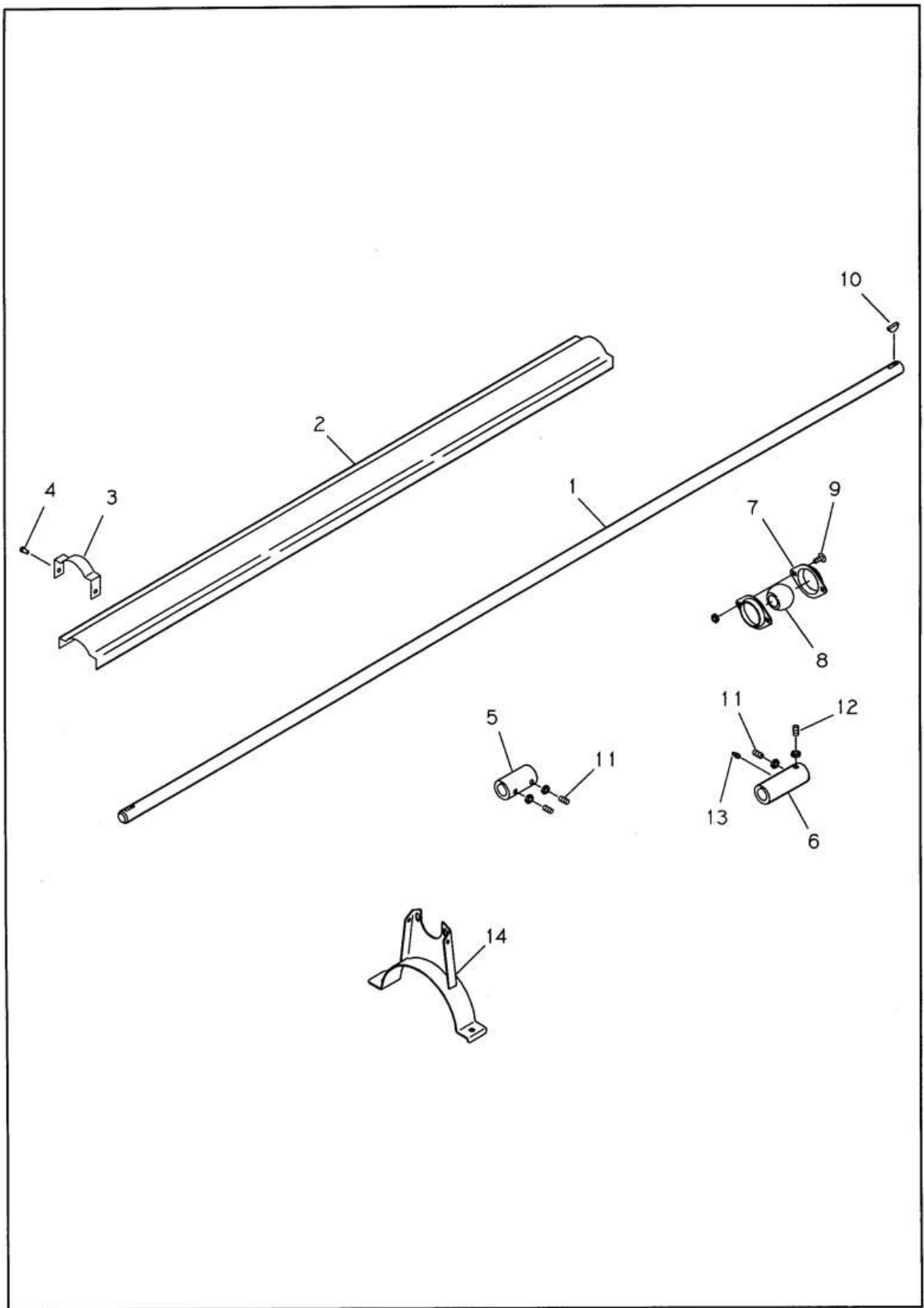
* Over All Length



HELICOIDS (Model GS20)

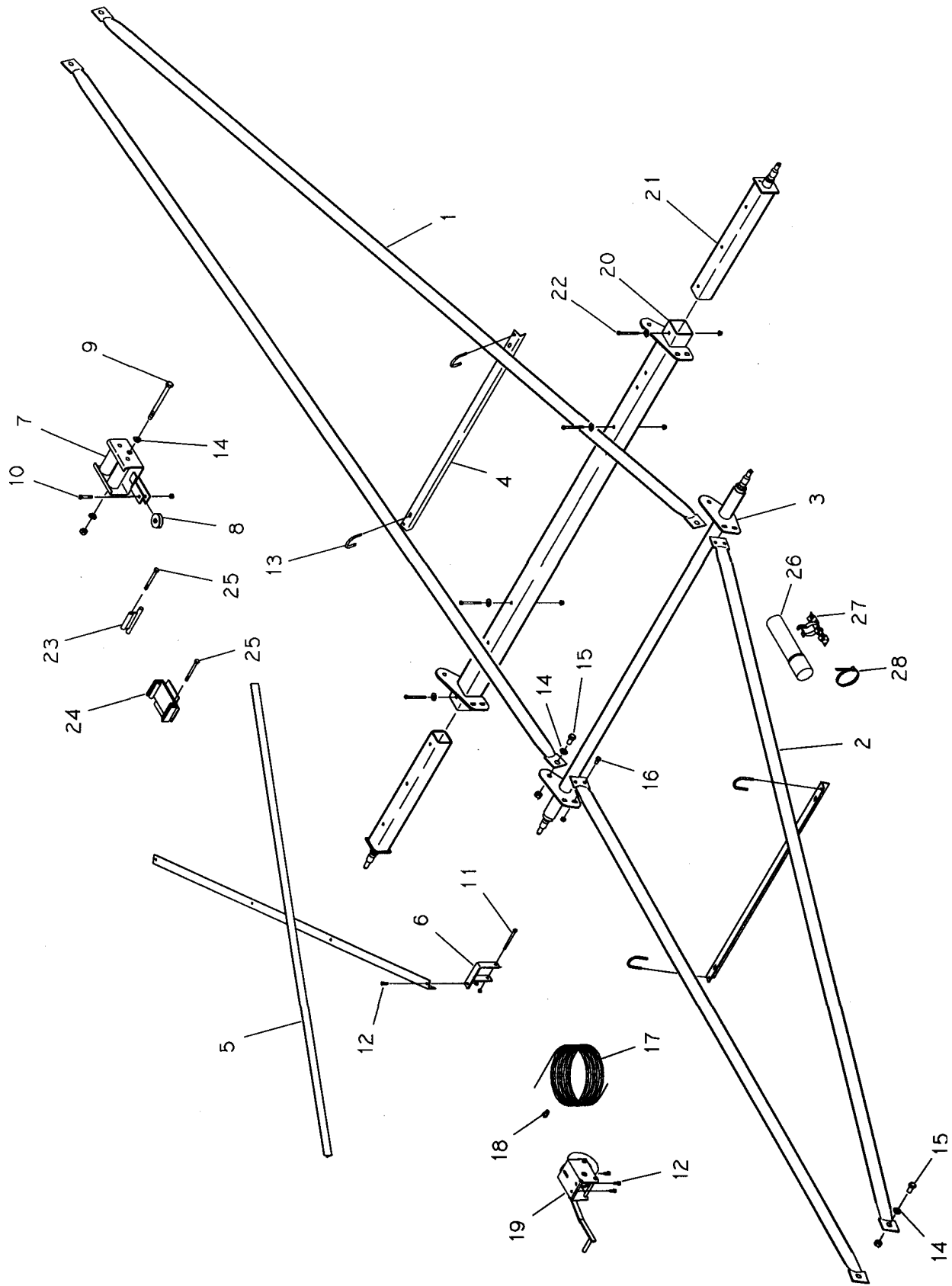
REF.	PART NO.	DESCRIPTION	QTY.
1	100-2-1889	Top Helicoid, 8" Auger (122-5/8" O.A.L.)	1
	100-2-2169	Top Helicoid, 10" Auger (122-1/4" O.A.L.)	1
2	100-2-1391	Center Helicoid, 8" Auger (118-1/2" O.A.L.)	1
	100-2-2623	Center Helicoid, 8" x 56° Auger Only (75-1/2" O.A.L.)	1
	100-2-2002	Center Helicoid, 10" Auger (117-5/8" O.A.L.)	1
3	100-2-2122	Bottom Helicoid, 8" Auger (118-1/8" O.A.L.)	1
	100-2-2120	Bottom Helicoid, 10" Auger (117-5/8" O.A.L.)	1
4	900-27033	#21 Woodruff Key, 1/4" x 1-1/4"	1
5	900-01121	3/8" NC x 2-1/2" Hex Bolt, 8" Auger	2
	900-01237	1/2" NC x 3" Hex Bolt, 10" Auger	2
6	100-2-1908	Hanger Bearing Assembly, 8" Auger	A/R*
	100-2-1311	Hanger Bearing Assembly, 10" Auger	A/R
7	100-2-2834	Hanger Bearing Weldmt, 8" Hex	A/R
	100-2-2833	Hanger Bearing Weldmt, 10" Hex	A/R
8	901-01136	7/8" Hex Bearing, 8" Auger	A/R
	901-01121	1-1/8" Hex Bearing, 10" Auger	A/R
9	900-17193	1/4" x 5/16" Socket Head Set Screw	2
10	900-01111	3/8" NC x 1-1/4" Hex Bolt	2
11	100-3-2636	Hex Shaft, 7/8", 8" Auger	A/R
	100-3-2396	Hex Shaft, 1-1/8", 10" Auger	A/R

* As Required



LINESHAFT COMPONENTS

REF	PART NO.	DESCRIPTION	QTY
1	100-3-3796	Lineshaft, 1" x 184" long, unpainted (8" x 30' auger)	1
	100-3-3795	Lineshaft, 1" x 240" long, unpainted (8" x 40', 50', 56', 60 augers)	1
	100-3-3880	Lineshaft, 1" x 92" long, unpainted (8" x 50' auger)	1
	100-3-3797	Lineshaft, 1" x 120" long, unpainted (8" x 56', 60' augers)	1
	100-3-3825	Lineshaft, 1" x 105" long, painted (8" x 30' STD)	1
	100-3-3913	Lineshaft, 1" x 73" long, painted (8" x 30' GAS)	1
	100-3-3823	Lineshaft, 1" x 20" long, painted (8" x 40' ETM)	1
	100-3-3826	Lineshaft, 1" x 169" long, painted (8" x 40' STD)	1
	100-3-3918	Lineshaft, 1" x 102" long, painted (8" x 40' Gas & Belt-PTO)	1
	100-3-3943	Lineshaft, 1" x 110" long, painted (8" x 50' Gas & Belt-PTO)	1
	100-3-3893	Lineshaft, 1" x 26" long, painted (8" x 56' ETM)	1
	100-3-3900	Lineshaft, 1" x 240" long, painted (8" x 56' STD)	1
	100-3-3882	Lineshaft, 1" x 15" long, painted (8" x 60' ETM)	1
	100-3-3861	Lineshaft, 1" x 196" long, painted (8" x 50', 60' STD)	1
	100-3-3884	Lineshaft, 1" X 92" long, painted (8" x 60' STD)	1
	100-3-3799	Lineshaft, 1-1/4" x 184" long, unpainted (10" x 30' auger)	1
	100-3-3798	Lineshaft, 1-1/4" x 240" long, unpainted (10" x 40', 60', 70' augers)	1
	100-3-3800	Lineshaft, 1-1/4" x 120" long, unpainted (10" x 60', 70' augers)	1
	100-3-3831	Lineshaft, 1-1/4" x 105" long, painted (10" x 30' STD, 10" x 70' ETM)	1
	100-3-4288	Lineshaft, 1-1/4" x 77" long, painted (10" x 30' Gas Drive)	1
	100-3-3829	Lineshaft, 1-1/4" x 20" long, painted (10" x 40' ETM)	1
	100-3-3832	Lineshaft, 1-1/4" x 169" long, painted (10" x 40', 70' STD)	1
	100-3-3834	Lineshaft, 1-1/4" x 240" long, painted (10" x 70' STD)	1
	100-3-3883	Lineshaft, 1-1/4" x 15" long, painted (10" x 60' ETM)	1
	100-3-3885	Lineshaft, 1-1/4" x 92" long, painted (10" x 60' STD)	1
	100-3-3886	Lineshaft, 1-1/4" x 196" long, painted (10" x 60' STD)	1
2	100-3-2804	Lineshaft Shield, 56" long (8" augers)	A/R
	100-3-3208	Lineshaft Shield, 56" long (10" augers)	A/R
3	100-3-2791	Lineshaft Shield Clamp (8" augers)	A/R
	100-3-3207	Lineshaft Shield Clamp (10" augers)	A/R
4	900-01001	¼" NC x ½" Hex Bolt	A/R
5	100-3-2864	Lineshaft Coupler, 1" (8" augers)	1
	100-3-3219	Lineshaft Coupler, 1-1/4" (10" augers)	1
6	100-3-3804	Slip Coupler, 1" (8" augers)	1
	100-3-3230	Slip Coupler, 1-1/4" (10" augers)	1
7	901-01269	Flangette, 52 m-2 (8" augers)	2
	901-01270	Flangette, 62m-2 (10" augers)	2
8	901-01265	Wood Bearing, 1" solid (8" augers)	1
	901-01267	Wood Bearing, 1" split (8" augers) replacement parts	1
	901-01266	Wood Bearing, 1-1/4" solid (10" augers)	1
	901-01268	Wood Bearing, 1-1/4", split (10" augers) replacement parts	1
9	900-01668	5/16" NC x ¾" Carriage Bolt (8" augers)	2
	900-01694	3/8" NC x ¾" Carriage Bolt (10" augers)	2
10	900-27024	#15 Woodruff Key (8" augers)	A/R
	900-27033	#21 Woodruff Key (10" augers)	A/R
11	900-16253	3/8" NC x ½" Socket Set Screw (8" augers)	A/R
	900-16255	3/8" NC x ¾" Socket Set Screw (10" augers)	A/R
12	900-16253	3/8" NC x ½" Socket Set Screw (8" and 10" augers)	A/R
13	905-15024	Zerk, straight, ¼"-28 UNF	1
14	100-2-1556	Lineshaft Bearing Mount (8" augers)	A/R
	100-2-2896	Lineshaft Bearing Mount (10" augers)	A/R

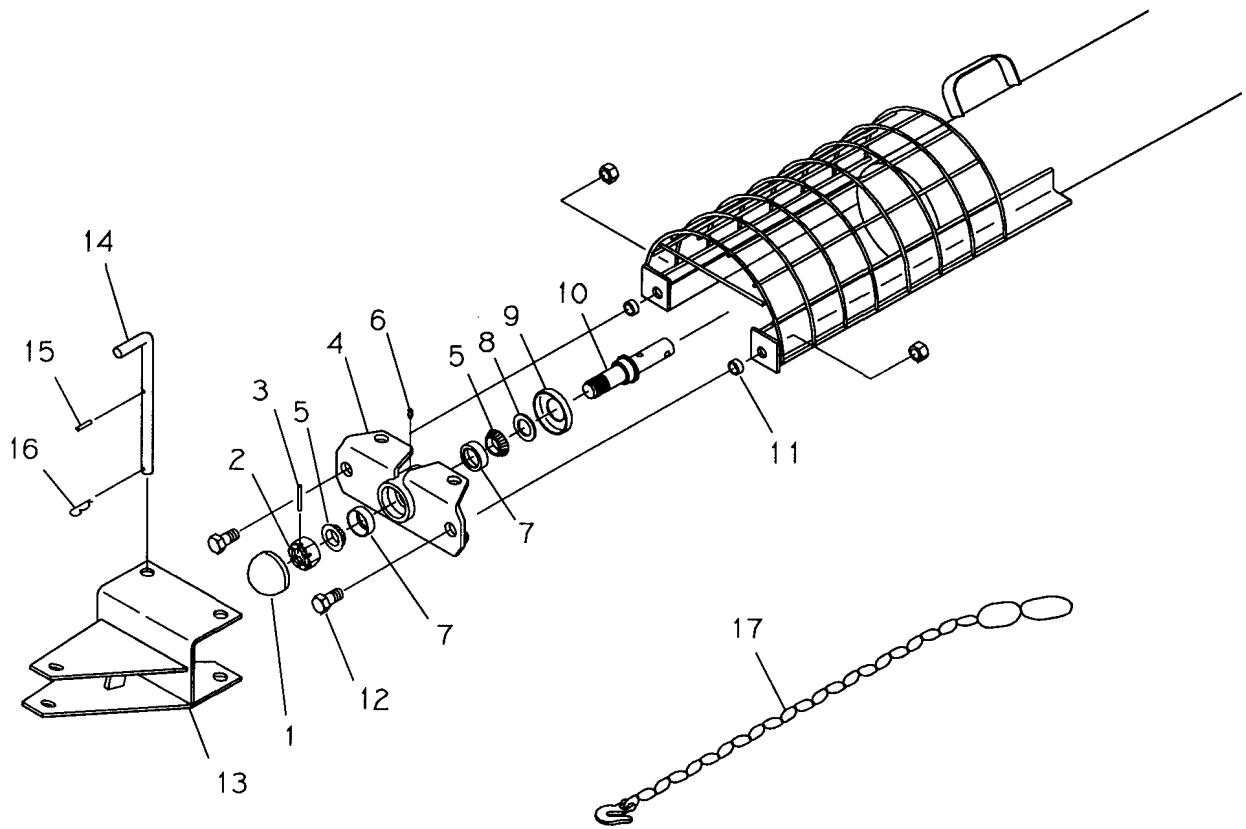


NOTES:

The lift and reach arms on this page have been redesigned.
 The exploded assemblies on pages 90 though 93 show the changes.
 Item # 19 can be replaced with a hydraulic winch, see page 89.

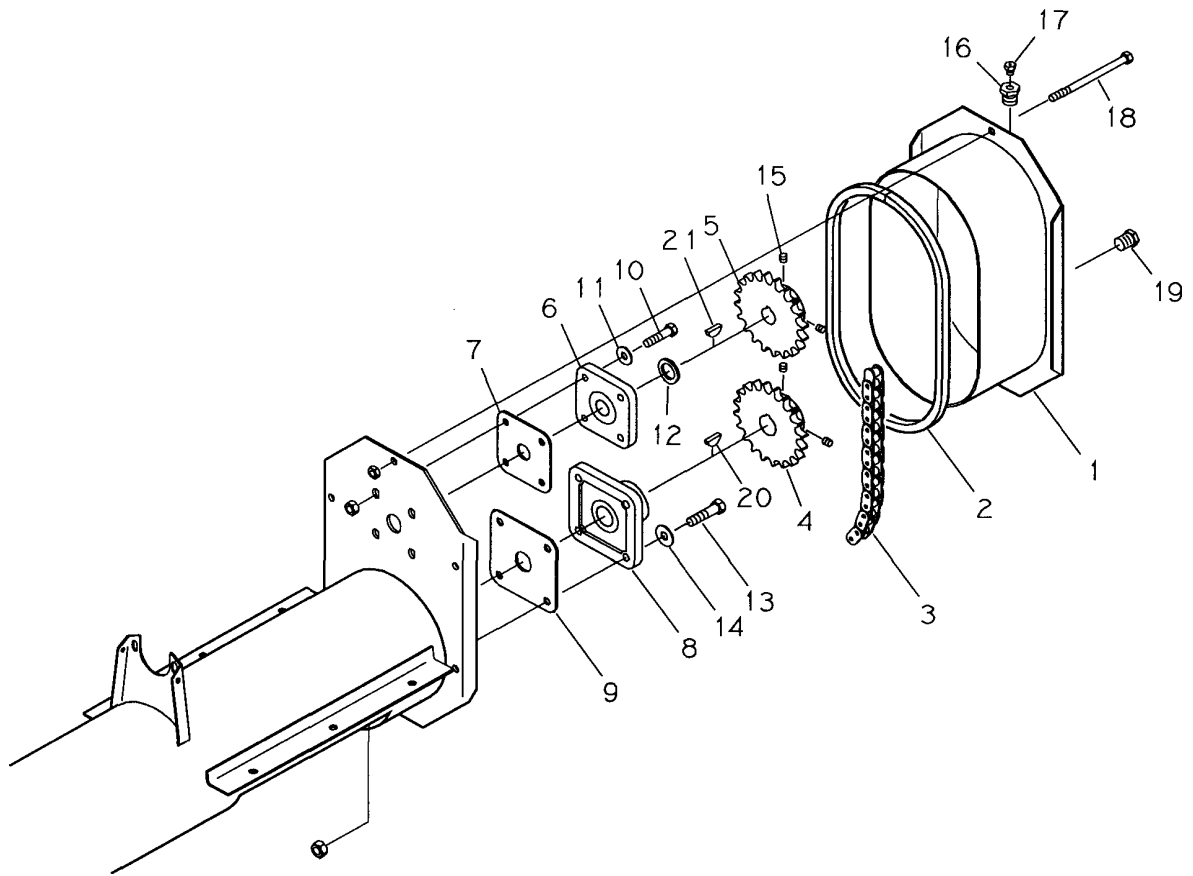
TRANSPORT

REF	PART NO.	DESCRIPTION	QTY
1	100-2-3478	Lift Arm, (30' augers)	2
	100-2-3479	Lift Arm, (40' augers)	2
	100-2-3480	Lift Arm, (8 x 50' augers)	2
	100-2-3474	Lift Arm, (10 x 50' augers)	2
	100-2-3481	Lift Arm, (56' augers)	2
	100-2-3475	Lift Arm, (60' augers)	2
	100-2-3477	Lift Arm, (70' augers)	2
2	100-2-3461	Reach Arm, (30' augers)	2
	100-2-3462	Reach Arm, (40' augers)	2
	100-2-3463	Reach Arm, (8 x 50' augers)	2
	100-2-3467	Reach Arm, (10 x 50' augers)	2
	100-2-3464	Reach Arm, (56' augers)	2
	100-2-3465	Reach Arm, (60' augers)	2
	100-2-3473	Reach Arm, (70' augers)	2
3	100-2-2144	Axle, 60" Tube (30' auger)	1
	100-2-2145	Axle, 80" Tube (40' auger)	1
	100-2-3451	Axle, 90" Tube (50' auger)	1
	100-2-3510	Axle, 106" Tube (56', 60', 70' augers)	1
4	100-3-3108	Brace Angle, 44" long, (40' auger)	2
	100-3-3110	Brace Angle, 46-1/4" long, (50' auger)	2
5	100-3-3265	Brace Angle, 96" long, (56', 60', 70' augers)	4
6	100-2-1781	Transport Brace Clamp	8
7	100-2-2172	Traveler, Track	1
8	100-3-3045	3" Cable Sheave (painted)	1
9	900-01443	3/4" NC x 10" Hex Bolt	1
10	900-01233	1/2" NC x 2-1/2" Hex Bolt	1
11	900-01137	3/8" NC x 5" Hex Bolt	8
12	900-01109	3/8" NC x 1" Hex Bolt	A/R
13	100-3-2896	U-Bolt, 3/8" Round, 2-3/8" I.D.	4
14	100-3-5717	Flanged Bushing, 3/4" I.D. x 1" O.D. x .406	6
14b	100-3-2890	Flanged Bushing, 3/4" I.D. x 1" O.D. (Used Prior to 2010)	6
15	900-01399	3/4" NC x 1-1/2" Hex Bolt	4
16	900-01221	1/2" NC x 1-1/2" Hex Bolt	4
17	100-3-1816	Cable, 1/4" x 33', (30' auger)	1
	100-3-3851	Cable, 1/4" x 48', (40' auger)	1
	100-3-3021	Cable, 1/4" x 59' (50' auger)	1
	100-3-2912	Cable, 1/4" x 68', (56', 60' auger)	1
	100-3-3852	Cable, 1/4" x 89', (70' auger)	1
18	900-31003	1/4" Cable Clamp	2
19	905-12083	Winch, #1500 (All 8" augers and 10" x 30', 40' augers)	1
	905-12084	Winch, #2500 (10" x 60', 70' augers)	1
	905-12110	Keeper Kit, #1500 & #2500 Winches	1
	100-1-0758	Optional Hydraulic Winch Kit, (See page 89)	1
20	100-2-2615	Adjustable Axle Weldment, (60', 70' augers) Optional	1
21	100-2-2613	Adjustable Axle Extension, (60', 70' augers) Optional	2
22	900-01197	7/16" NC x 4-1/2" Hex Bolt	4
23	100-2-2171	Track Stop	2
24	100-2-2170	Track Splice (50', 56', 60' & 70' Augers)	1
25	900-01249	1/2" NC x 5 Hex Bolt	A/R
	900-01253	1/2" NC x 6 Hex Bolt (70' Auger Only)	1
26	100-3-3957	Tube, Manual Storage	1
27	100-3-3958	Mounting Bracket, Tube	1
28	900-31062	Hose Clamp, #88 Worm	2
	100-2-2708	Adjustable Axle Assembly (Ref. 20-22)	1



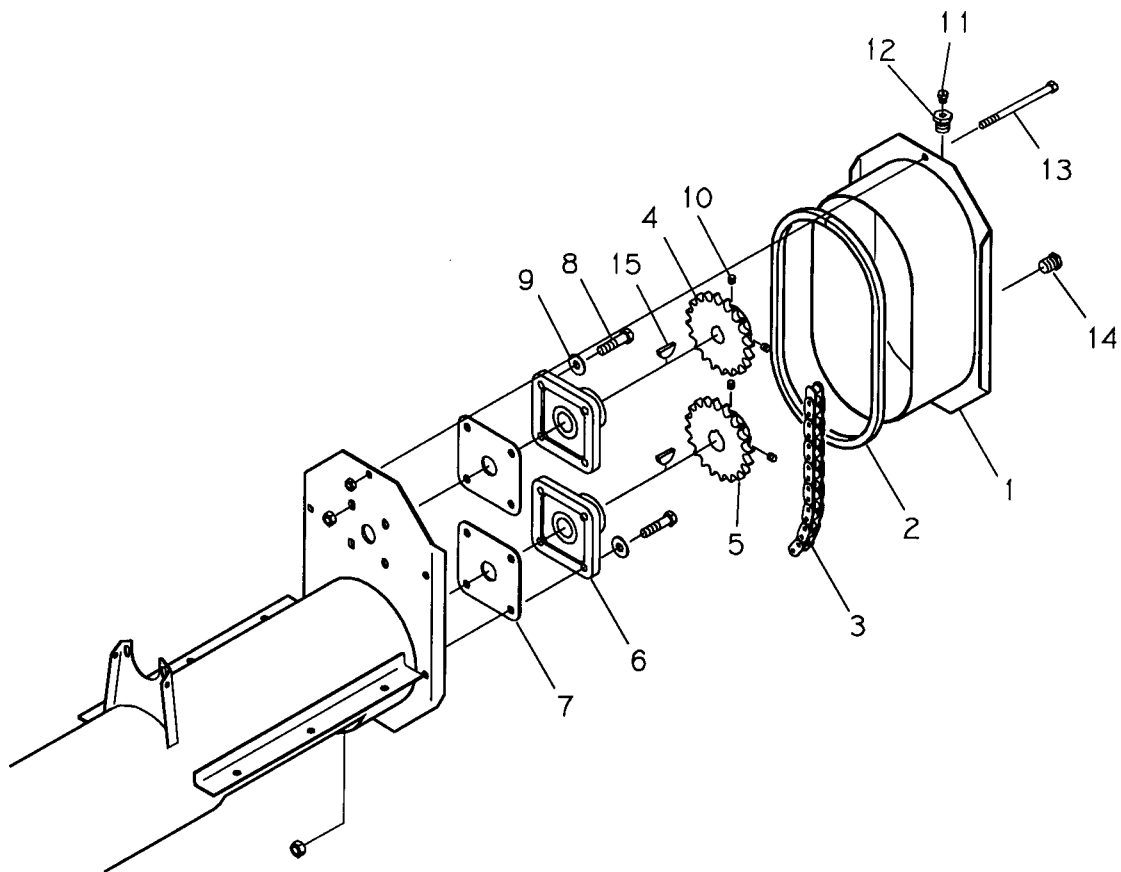
INTAKE END COMPONENTS

REF	PART NO.	DESCRIPTION	QTY
1	905-09009	Dust Cap	1
2	900-06066	1-1/4" Slotted Hex Nut	1
3	900-29182	1/4" x 2" Roll Pin	1
4	100-2-1916	Hitch Mount Weldment (8" auger)	1
	100-2-1917	Hitch Mount Weldment (10" auger)	1
5	901-01015	Bearing Cone	2
6	905-15024	Zerk, 1/4"-28 UNF	1
7	901-01016	Bearing Cup	2
8	901-09203	Seal	1
9	100-3-3492	Cap	1
10	100-3-3848	Shaft, (8" GS15) 1-1/4" diameter	1
	100-3-3486	Shaft, (10" GS15, 8" GS20) 1-3/4" diameter	1
	100-3-3487	Shaft, (10"GS20)	1
11	100-3-3898	Spacer	2
12	900-01403	3/4" NC x 2" Hex Bolt (Used with Item 18 Below)	2
13	100-2-1911	Hitch Weldment	1
14	100-3-3500	Hitch Pin	2
15	900-29176	1/4" x 1-1/4" Roll Pin	2
16	900-25005	5/32" Hair Pin Cotter	2
17	905-07111	Tow Chain, 6000 lb.	1
18	900-11038	3/4" USS Flat Washer (Used under the head of Item 12 Above)	2
	100-2-2587	Hitch Mount Assembly, (8" GS15) (Ref. 1-10)	1
	100-2-2588	Hitch Mount Assembly, (10" GS15) (Ref. 1-10)	1
	100-2-1912	Hitch Mount Assembly, (8" GS20) (Ref. 1-10)	1
	100-2-1913	Hitch Mount Assembly, (10" GS20) (Ref. 1-10)	1
	100-2-1910	Pin Assembly (Ref. 14,15)	2



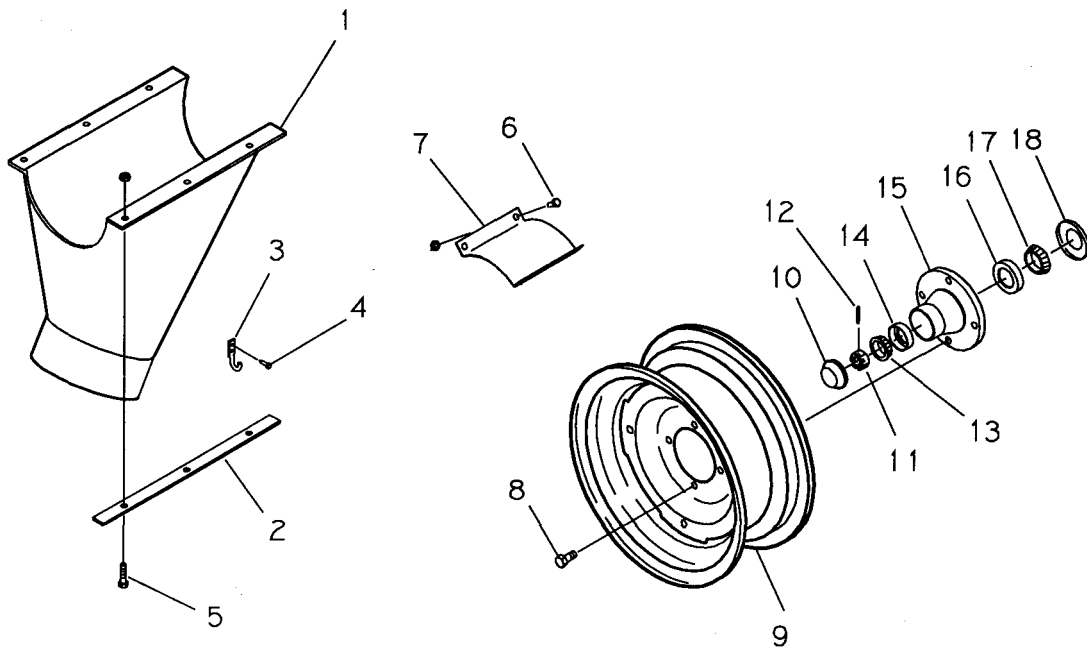
CHAIN CASE COMPONENTS (8" AUGERS)

REF.	PART NO.	DESCRIPTION	QTY
1	100-2-1906	Cover	1
2	100-3-3510	Gasket, Cover	1
3	100-3-1947	Chain, #60-1 x 40 Inc. Conn.	1
4	100-3-2883	Sprocket, #60, 20 Tooth, 1-1/4" Bore	1
	100-3-2882	Sprocket, #60, 25 Tooth, 1-1/4" Bore (Gas Motor Drive)	1
5	100-3-1971	Sprocket, #60, 20 Tooth, 1" Bore	1
	100-3-1930	Sprocket, #60, 14 Tooth, 1" Bore (Gas Motor Drive)	1
6	901-01004	1" 4 Bolt Bearing, Cast	1
7	100-3-3497	Gasket, 1" Bearing	1
8	901-01005	1-1/4" 4 Bolt Bearing, 3-5/8" Bolt Pattern	1
9	100-3-1894	Gasket, 1-1/4" Bearing	1
10	900-01177	7/16" x 1-3/4" Hex Bolt	4
11	900-11156	7/16" Washer w/Neoprene Backing	4
12	900-11073	1" x 10 Ga. Narrow Rim Machine Bushing	2
13	900-01227	1/2" NCx 1-3/4" Hex Bolt	4
14	900-11157	1/2" Washer w/Neoprene Backing	4
15	900-16251	3/8" NC x 3/8" Socket Set Screw	4
16	905-03080	Vent Plug, 1/8" NPT	1
17	905-01159	Bushing, 1/2"x1/8"NPT	1
18	900-01141	3/8" NC x 6 Hex Bolt	6
19	905-01548	Pipe Plug, 1/2" MPT	1
20	900-27033	#21 Woodruff Key	1
21	900-27024	#15 Woodruff Key	1



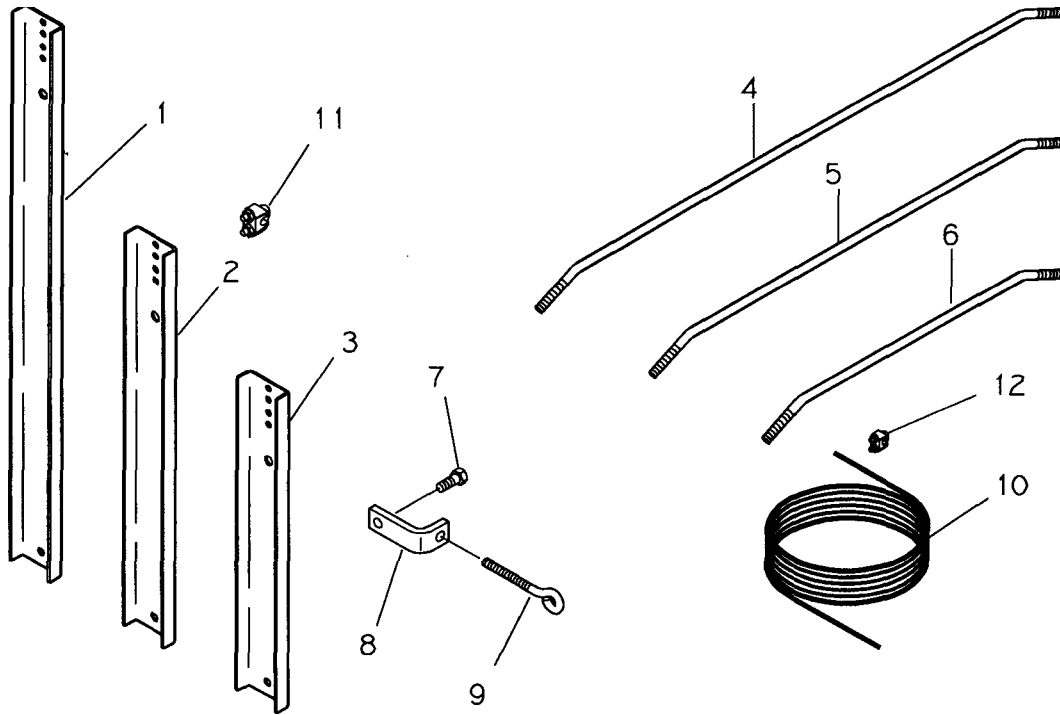
CHAIN CASE COMPONENTS (10" AUGERS)

REF	PART NO.	DESCRIPTION	QTY
1	100-2-1907	Cover	1
2	100-3-3509	Gasket, Cover	1
3	100-3-3203	Chain, #80-1 x 39 Incl. Conn and Half	1
4	100-3-3801	Sprocket, #80-1 x 19 Tooth, 1-1/4" Bore	1
5	100-3-3802	Sprocket, #80-1 x 20 Tooth, 1-1/4" Bore	1
6	901-01005	1-1/4" 4 Bolt Bearing, 3-5/8" Bolt Pattern	2
7	100-3-1894	Gasket, 1-1/4" Bearing	2
8	900-01227	1/2" NC x 1-3/4" Hex Bolt	8
9	900-11157	1/2" Washer w/Neoprene Backing	8
10	900-16251	3/8" NC x 3/8" Socket Set Screw	4
11	905-03080	Vent Plug, 1/8" NPT	1
12	905-01159	Bushing, 1/2" x 1/8" NPT	1
13	900-01141	3/8" NC x 6" Hex Bolt	8
14	905-01548	Pipe Plug, 1/2" MPT	1
15	900-27033	#21 Woodruff Key	2



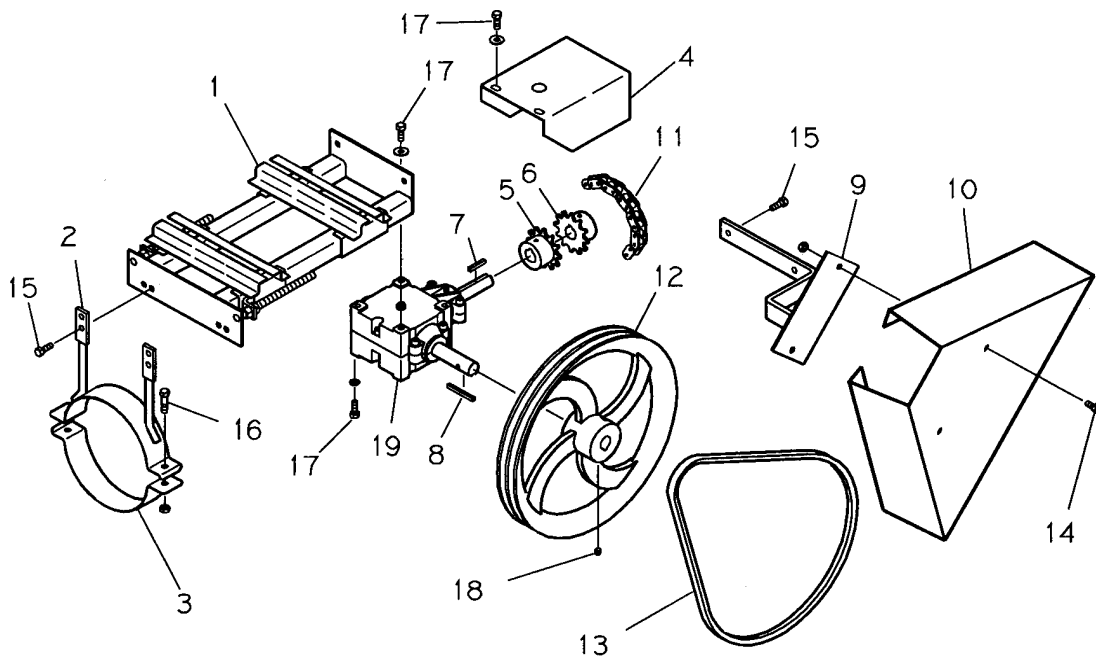
MISCELLANEOUS

REF	PART NO.	DESCRIPTION	QTY
1	100-3-2111	8" Plastic Spout	1
	100-3-2112	10" Plastic Spout	1
2	100-3-3865	8" Spout Strap	2
	100-3-3864	10" Spout Strap	2
3	905-22012	Hook	2
4	900-17068	10-24 x 5/8 Hex Washer Head Set Screw	4
5	900-01113	3/8 NCx 1-1/2 Hex Bolt	6
6	900-01055	5/16 NCx 3/4 Hex Bolt	4
7	100-3-1113	Access Cover, 8" & 10"	1
8	905-09010	Wheel Bolt, 1/2 NF x 1-1/16	4
9	905-09015	Rim, 15x4.5 KB 4 Bolt	1
10	905-09008	Dust Cap	1
11	900-06058	3/4 NF Slotted Hex Nut	1
12	900-23034	5/32x1-1/4 Cotter Pin	1
13	901-01026	Bearing Cone	1
14	901-01027	Bearing Cup	1
15	905-09002	4 Bolt Hub with Cups	1
16	901-01016	Bearing Cup	1
17	901-01015	Bearing Cone	1
18	901-09001	Seal	1
	100-2-1209	8" Spout Assembly (Ref. 1,3,4)	1
	100-2-1210	10" Spout Assembly (Ref. 1, 3, 4)	1
	100-2-0859	4 Bolt Hub Assembly (Ref. 10, 13-18)	2



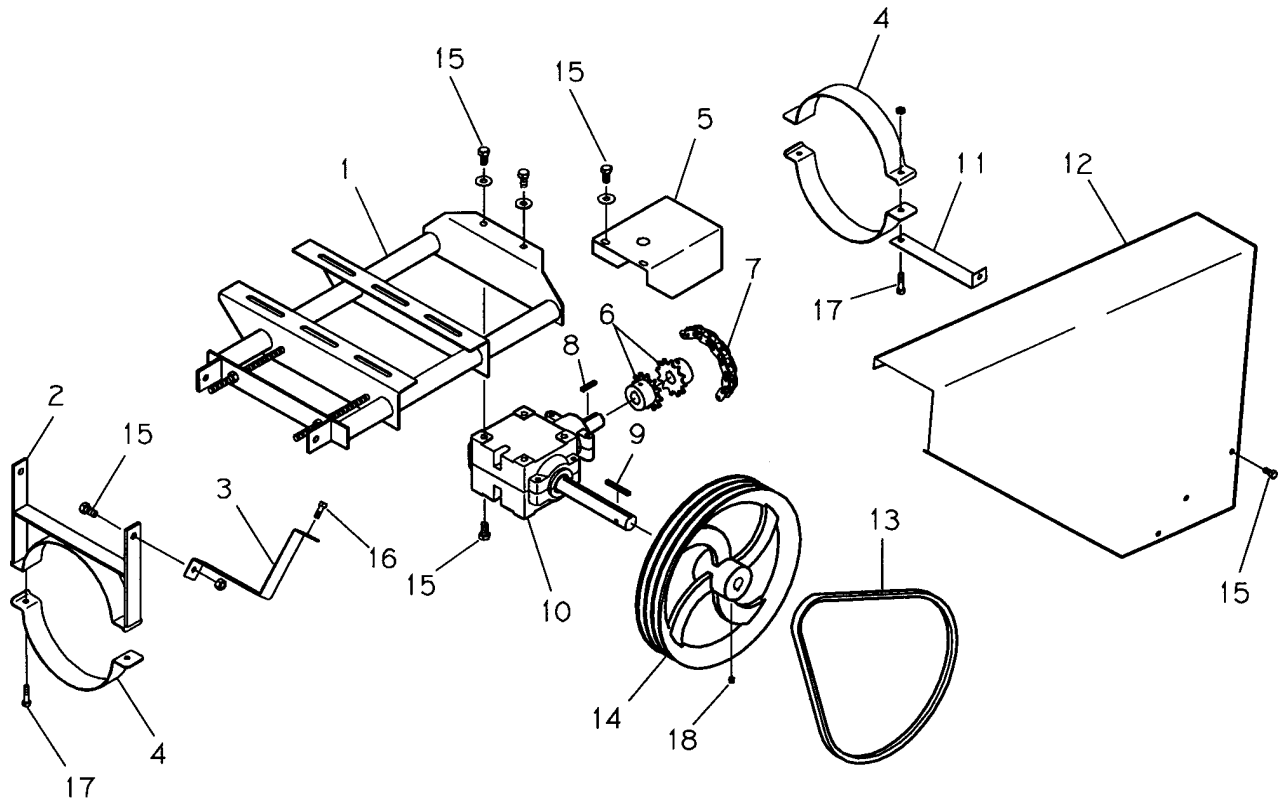
TRUSSING COMPONENTS

REF	PART NO.	DESCRIPTION	QTY
1	100-3-2405	Standoff, 42" long (70' augers)	2
2	100-3-2404	Standoff, 30" long (Augers 8" & 10", 50', 56' & 60' long)	4
3	100-3-2560	Standoff, 24" long (Used prior to 2010)	-0-
4	100-3-2414	Brace Rod, 46' long (70' augers)	2
5	100-3-2413	Brace Rod, 36" long (Augers 8" & 10", 50', 56' & 60' long)	2
6	100-3-3902	Brace Rod, 29" long (Used prior to 2010)	-0-
7	900-01341	5/8" x 1-1/2" Hex Bolt	2
8	100-3-3613	Truss Anchor Strap	2
9	100-3-0148	Eye Bolt, 1/2" NC	2
10	100-3-2911	Cable, 1/4" x 62' (50' augers)	1
	100-3-2912	Cable, 1/4" x 68' (56' and 60' augers)	1
	100-3-3852	Cable, 1/4" x 89' (70' augers)	2
11	900-31005	3/8" Cable Clamp	5
12	900-31003	1/4" Cable Clamp	2



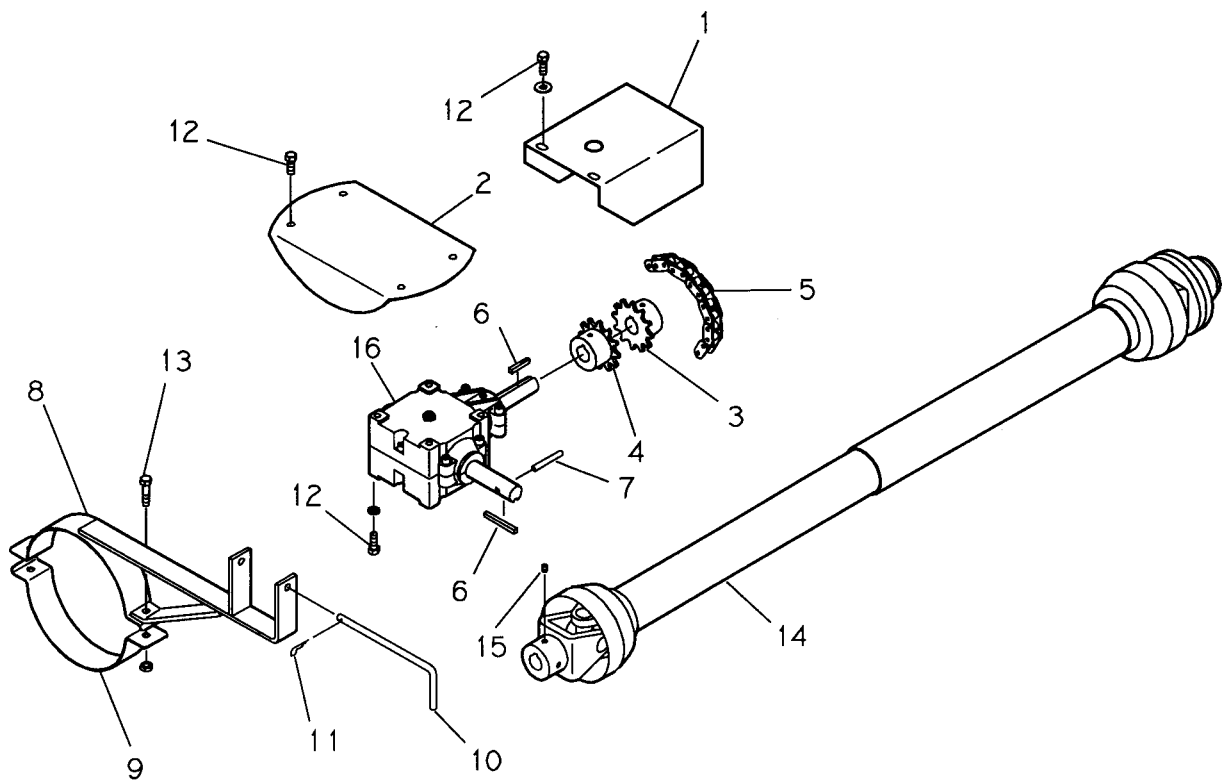
ELECTRIC MOTOR DRIVE (8" AUGERS)

REF	PART NO.	DESCRIPTION	QTY
1	100-2-1448	Electric Motor Mount Weldment	1
2	100-2-1449	Mounting Bracket	1
3	100-3-2899	Half Band (Black)	1
4	100-3-3901	Gearbox Shield	1
5	903-05043	Coupler Sprocket, 1-1/4" (56' & 60', 1 of each per Auger)	A/R
6	903-05044	Coupler Sprocket, 1" Bore (30'-50', 2 per Auger)	A/R
7	106-3-0529	Key, 1/4"x1/4"x 1-1/2"	1
8	100-3-0989	Key, 1/4"x1/4"x 2-1/2"	1
9	100-2-1450	Shield Mounting Bracket (30'-50' Augers)	1
	100-2-1673	Shield Mounting Bracket (56-60' Augers)	1
10	100-3-3272	Shield	1
11	903-03147	Coupler Chain, 60-2	1
12	903-07979	15" Double Groove Alum. Pulley, 1" (30'-50' Augers)	1
	903-07996	16" Triple Groove Alum. Pulley, 1-1/4" (56-60' Augers)	1
13	903-01314	BX-60 V-Belt (30'-50' Augers)	2
	903-01109	B-66 V-Belt (56-60' Augers)	3
14	900-01105	3/8 NC x 3/4 Hex Bolt	2
15	900-01109	3/8 NC x 1 Hex Bolt	4
16	900-01113	3/8 NCx1-1/2" Hex Bolt	2
17	900-01109	3/8 NC x 1 Hex Bolt (30'-50' Augers)	8
	900-01221	1/2 NC x 1 Hex Bolt (56-60' augers)	8
18	900-16251	3/8 NC x 3/8 Socket Set Screw	2
19	903-15442	Gearbox (30'-50' Augers) Shown	1
	903-15382	Gearbox (56-60' Augers)	1



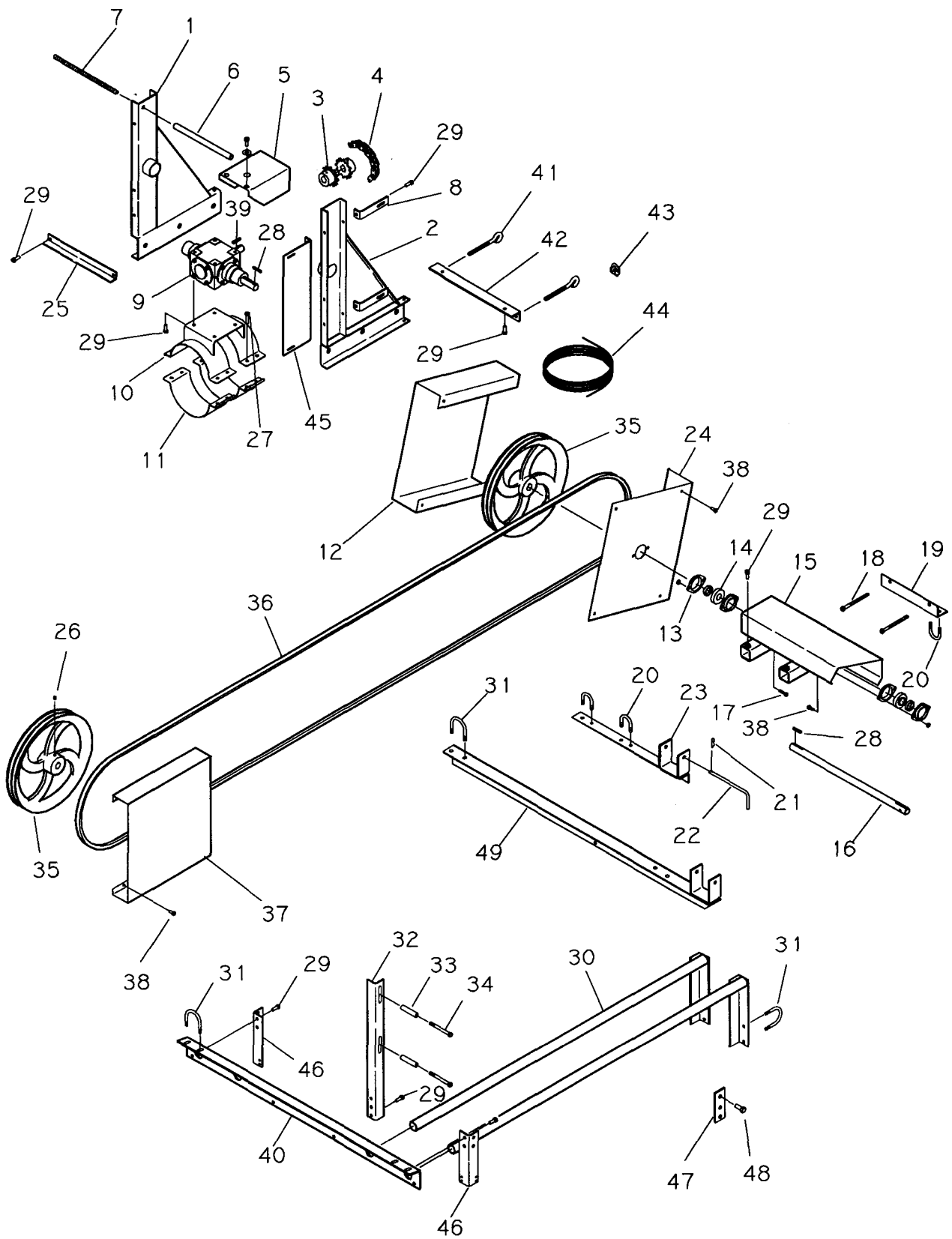
ELECTRIC MOTOR DRIVE (10" AUGERS)

REF	PART NO.	DESCRIPTION	QTY
1	100-2-1762	Electric Motor Mount Weldment	1
2	100-2-1763	Mount Bracket	1
3	100-3-3246	Shield Brace	1
4	100-3-3228	10" Half Band	3
5	100-3-3901	Shield	1
6	903-05043	Coupler Sprocket, 1-1/4" Bore	2
7	903-03147	Coupler Chain, 60-1 x 12 Pitch	1
8	106-3-0529	Key, 1/4x1/4x1-1/2	1
9	100-3-0989	Key, 1/4x1/4x2-1/2	1
10	903-15382	Gearbox	1
11	100-3-3245	Shield Brace	1
12	100-2-1034	Shield, Electric Motor	1
13	903-01109	B-66 V-Belt	3
14	903-07996	Aluminum Pulley, 3 Groove, B x 16,1-1/4" Bore	1
15	900-01221	1/2 NC x 1 Hex Bolt	11
16	900-01109	3/8 NC x 1 Hex Bolt	3
17	900-01113	3/8 NCx1-1/2 Hex Bolt	4
18	900-16251	3/8 NC x 3/8 Socket Set Screw	2



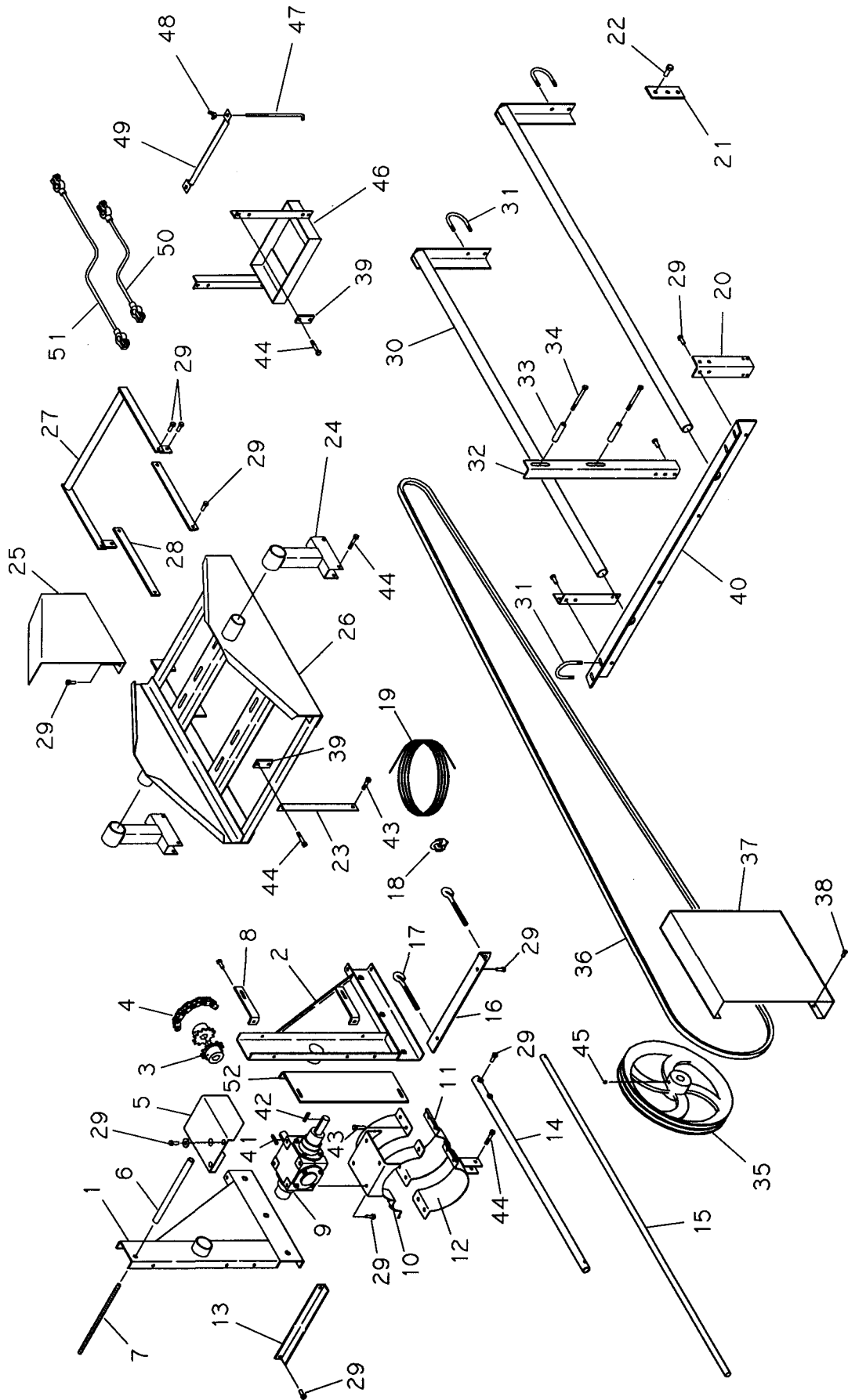
STANDARD PTO DRIVE COMPONENTS

REF	PART NO.	DESCRIPTION	QTY
1	100-3-3901	Shield, lineshaft	1
2	100-3-3052	PTO Shield, (8" x 30-50' Augers)	1
	100-3-3051	PTO Shield, (8" x 56-60', 10" Augers)	1
3	903-05044	Coupler Sprocket (8" Augers)	1
	903-05043	Coupler Sprocket (10" Augers)	1
4	903-05044	Coupler Sprocket, 1" (8" x 30-50' Augers) 2 per Auger	A/R
	903-05043	Coupler Sprocket, 1-1/4" (8" x 56-60', 10" Augers) 1 each	A/R
5	903-03147	Coupler Chain, 60-1 x 12 Pitch	1
6	106-3-0529	Key, 1/4x1/4x1-1/2	2
7	900-29208	Roll Pin, 5/16x2-1/4	1
8	100-2-0324	PTO Rest (8" Augers)	1
	100-2-0580	PTO Rest (10" Augers)	1
9	100-3-2899	8" Half Band	1
	100-3-3228	10" Half Band	1
10	100-3-1020	Hold Down Pin	1
11	900-25005	5/32 Hair Pin Cotter	1
12	900-01109	3/8 NC x 1 Hex Bolt (8" x 30-50' Augers)	7
	900-01221	1/2 NC x 1 Hex Bolt (8" x 56'-60', 10" Augers)	7
13	900-01113	3/8 NCx 1-1/2 Hex Bolt	2
14	903-17065	PTO Shaft (8" x 30-50' Augers)	1
	903-17003	PTO Shaft (8" x 56'-60', 10" Augers)	1
15	900-16251	3/8 NC x 3/8 Socket Set Screw	1
16	903-15442	Gearbox (8" x 30-50' Augers)	1
	903-15382	Gearbox (8" x 56-60', 10" Augers)	1



BELT DRIVE PTO

REF	PART NO.	DESCRIPTION	QTY
1	100-2-2628	Transport Bracket (RH)	1
2	100-2-2629	Transport Bracket (LH)	1
3	903-05044	Coupler Sprocket, 60B12, 1" Bore	2
4	903-03147	Coupler Chain, 60-2	1
5	100-3-3901	Shield, Gearbox	1
6	100-3-3912	Spacer Pipe	1
7	100-3-3910	Threaded Rod	1
8	100-3-3453	Strap, Shield Mounting	2
9	100-3-3916	Gearbox, Painted	1
10	100-2-2637	Gearbox Mount	1
11	100-2-2639	Half Band Weld - Painted	2
12	100-3-3931	Shield	1
13	901-01009	2 Hole Flange	4
14	901-01003	1" Insert Bearing	2
15	100-2-2634	Base Weldment	1
	100-2-2635	Base Assembly (Ref. 13-17,29,38)	1
16	100-3-3936	Shaft	1
17	900-01061	5/16" NCx 1-1/4" Hex Bolt	2
18	900-03031	3/8" NC x 5" Hex Bolt (Full Thread)	2
19	100-3-3933	Angle	1
20	100-3-2760	U-Bolt, 3/8" Round, 1.50 I.D.	4
21	900-25005	5/32 Hair Pin Cotter	1
22	100-3-1020	Hold Down Pin	1
23	100-2-2633	PTO Rest	1
24	100-2-2632	Shield Base	1
25	100-3-3911	Angle	1
26	900-16251	3/8" NC x 3/8" Socket Set Screw	4
27	900-01113	3/8" NCx 1-1/2" Hex Bolt	8
28	106-3-0529	Key, 1/4"x1/4"x 1-1/2"	2
29	900-01109	3/8" NCx1" Hex Bolt	22
30	100-2-2627	Mount Weldment	2
31	100-3-2896	3/8" Round U-Bolt, 2-3/8" I.D.	4
32	100-3-3929	Angle, Belt Guide	1
33	100-3-3449	Pipe, Belt Guide	2
34	900-01133	3/8" NC x 4" Hex Bolt	2
35	903-07979	15" Double Groove Alum. Pulley, 1" Bore	2
36	903-01174	B-240 V-Belt, (8" x 40')	2
	903-01178	B-300 V-Belt, (8" x 50')	2
37	100-3-3908	Shield	1
38	900-01055	5/16" NCx 3/4" Hex Bolt	10
39	100-3-2545	Key, 1/4"x1/4"x1"	1
40	100-3-3917	Angle, 48" (40' Augers)	1
	100-3-3942	Angle, 60" (50' Augers)	1
41	100-3-0148	Eve Bolt, 1/2 NC	2
42	100-3-3574	Angle Brace	1
43	900-31003	1/4" Cable Clamp	6
44	100-3-3575	Truss Cable	2
45	100-3-3940	Shield	1
46	100-3-3927	Truss Standoff	2
47	100-3-3573	Anchor	2
48	900-01223	1/2 NC x 1-1/4 Hex Bolts	4
49	100-2-2636	PTO Rest Angle (50' Augers Only)	1



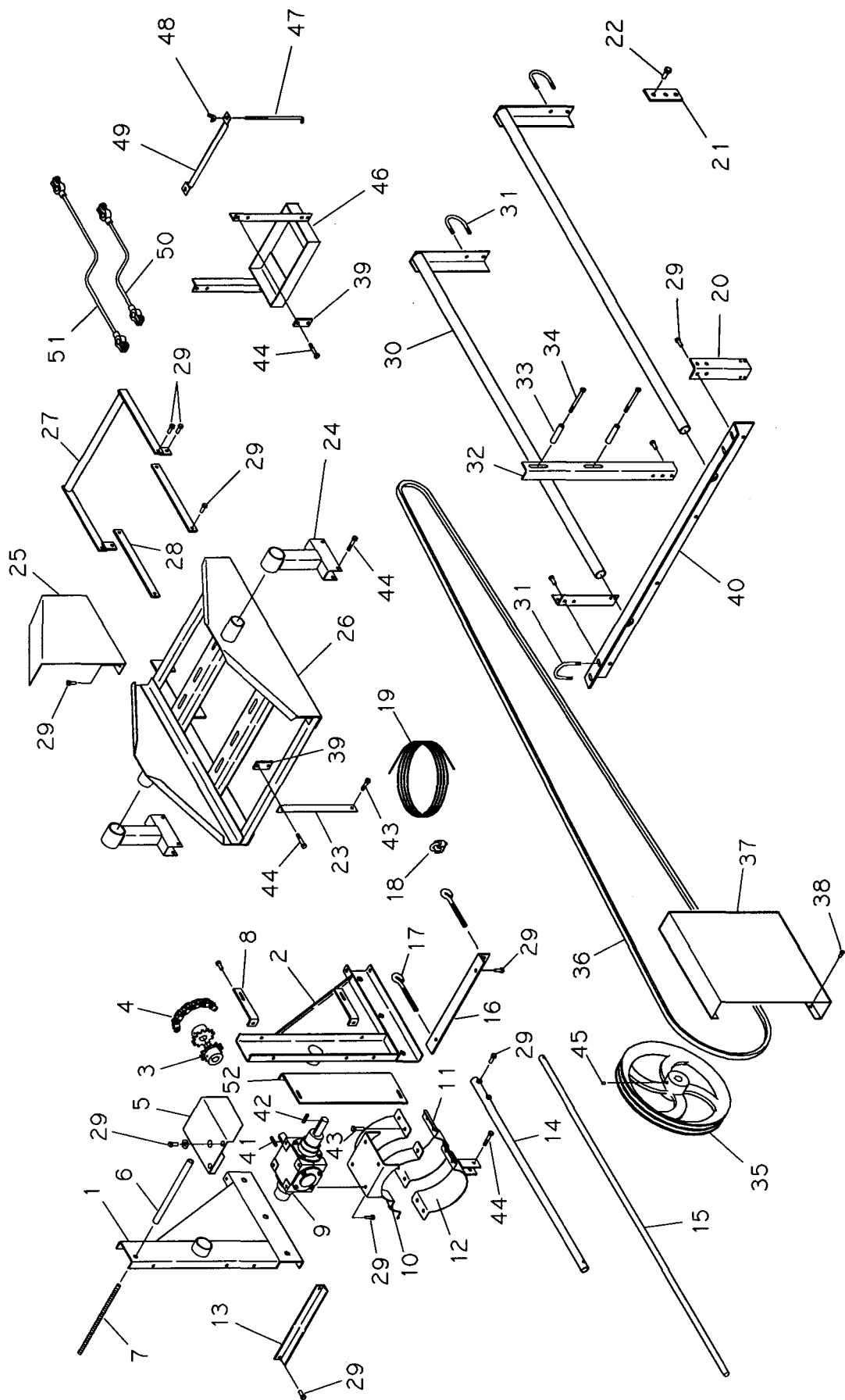
GAS DRIVE

8" & 10"

(Many parts are common)

REF	PART NO.	DESCRIPTION	QTY
1	100-2-2628	Transport Bracket, RH (8")	1
	100-2-2894	Transport Bracket, RH (10")	1
2	100-2-2629	Transport Bracket, LH (8")	1
	100-2-2895	Transport Bracket, LH (10")	1
3	903-05044	Coupler Sprocket, 60B12, 1" Bore (8")	2
	903-05043	Coupler Sprocket, 60B12, 1-1/4" Bore (10")	2
4	903-03147	Coupler Chain, 60-2	1
5	100-3-3901	Shield, Gearbox	1
6	100-3-3912	Spacer Pipe (8")	1
	100-3-4444	Pipe, X-Brace, (10")	1
7	100-3-3910	Threaded Rod (8")	1
	100-3-4446	Bolt, LGD (10")	1
8	100-3-3453	Strap, Shield Mounting	2
9	100-3-3916	Gearbox, Painted (8")	1
	100-3-4943	Gearbox, 7567, Painted (10")	1
10	100-2-2637	Gearbox Mount (8")	1
	100-2-2866	Gearbox Mount (10")	1
11	100-2-2639	8" Half Band, Weldment (Black) (Used Prior to 2010)	1
12	100-2-2626	Clamp Weldment (8")	1
	100-2-2867	Clamp Weldment (10")	1
13	100-3-3911	Angle (8")	1
	100-3-4445	Angle (10")	1
14	100-2-2630	Level Tube Weldment, 36" Long	1
15	100-3-3915	Level Rod, 36" (30' Auger Only)	1
	100-3-3919	Level Rod, 60" (40' Auger Only)	1
	100-3-3941	Level Rod, 100" (50' Auger Only)	1
16	100-3-3574	Angle Brace (8")	1
	100-3-4442	Angle Support (10")	1
17	100-3-0148	Eye Bolt, 1/2 NC	2
18	900-31003	1/4" Cable Clamp	6
19	100-3-3575	Cable, Truss	2
20	100-3-3927	Standoff	2
21	100-3-3573	Anchor	2
22	900-01223	1/2" x 1-1/4" Hex Bolt	4
23	100-3-3418	Angle	1
24	100-2-1864	Pivot Mount Weldment	2
25	100-3-3454	Shield, Motor	1
26	100-2-1861	Motor Mount Weldment	1

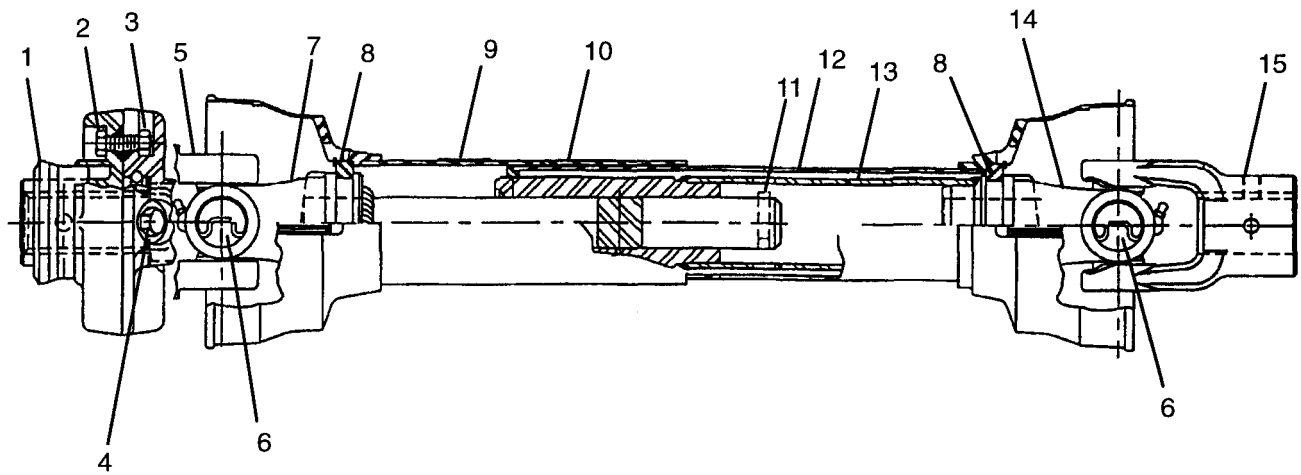
Continued on page 81



**GAS DRIVE
8" & 10"**

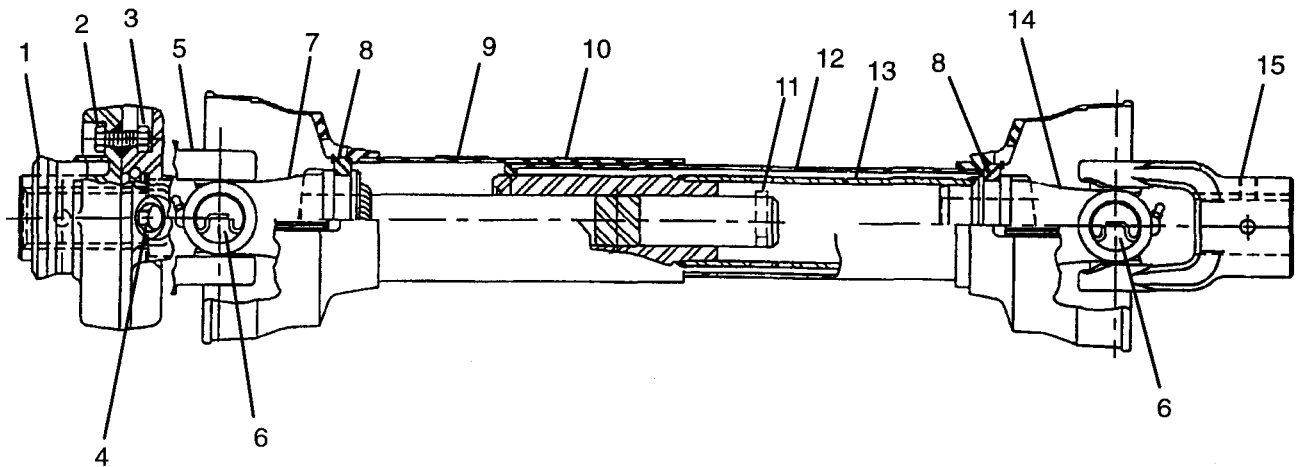
Continued

REF	PART NO.	DESCRIPTION	QTY
27	100-2-1863	Handle Weldment	1
28	100-3-3415	Strap	2
29	900-01109	3/8" NCx1" Hex Bolt	A/R
30	100-2-2627	Mount Weldment	2
31	100-3-2896	3/8" Round U-Bolt, 2-3/8" I.D.	A/R
32	100-3-3929	Angle, Belt Guide	1
33	100-3-3449	Pipe, Belt Guide	2
34	900-01133	3/8" NC x 4" Hex Bolt	2
35	903-07979	15" Double Groove Alum. Pulley, 1" Bore	1
36	903-01165	B-158 V-Belt (8" x 30')	2
	903-01173	B-225 V-Belt (8" x 40')	2
	903-01178	B-300 V-Belt (8" x 50')	2
37	100-3-3908	Shield	1
38	900-01055	5/16" NC x 3/4 Hex Bolt	4
39	100-3-3447	Backstrap	3
40	100-3-3907	Angle, 33" (30' Augers)	1
	100-3-3917	Angle, 48" (40' Augers)	1
	100-3-3942	Angle, 60" (50' Augers)	1
41	100-3-2545	Key, 1/4" x 1/4" x 1"	1
42	106-3-0529	Key, 1/4" x 1/4" x 1-1/2	1
43	900-01113	3/8" NC x 1-1/2" Hex Bolt	11
44	900-01117	3/8" NC x 2 Hex Bolt	7
45	900-16251	3/8" NC x 3/8" Socket Set Screw	2
46	100-2-2631	Battery Box Weldment	1
47	100-3-3112	J-Bolt	2
48	900-06170	5/16" NC Wing Nut	2
49	100-3-3922	Strap	1
50	100-3-3921	Negative Battery Cable, 18" Long	1
51	100-3-3920	Positive Battery Cable, 36" Long	1
52	100-3-3940	Shield	1



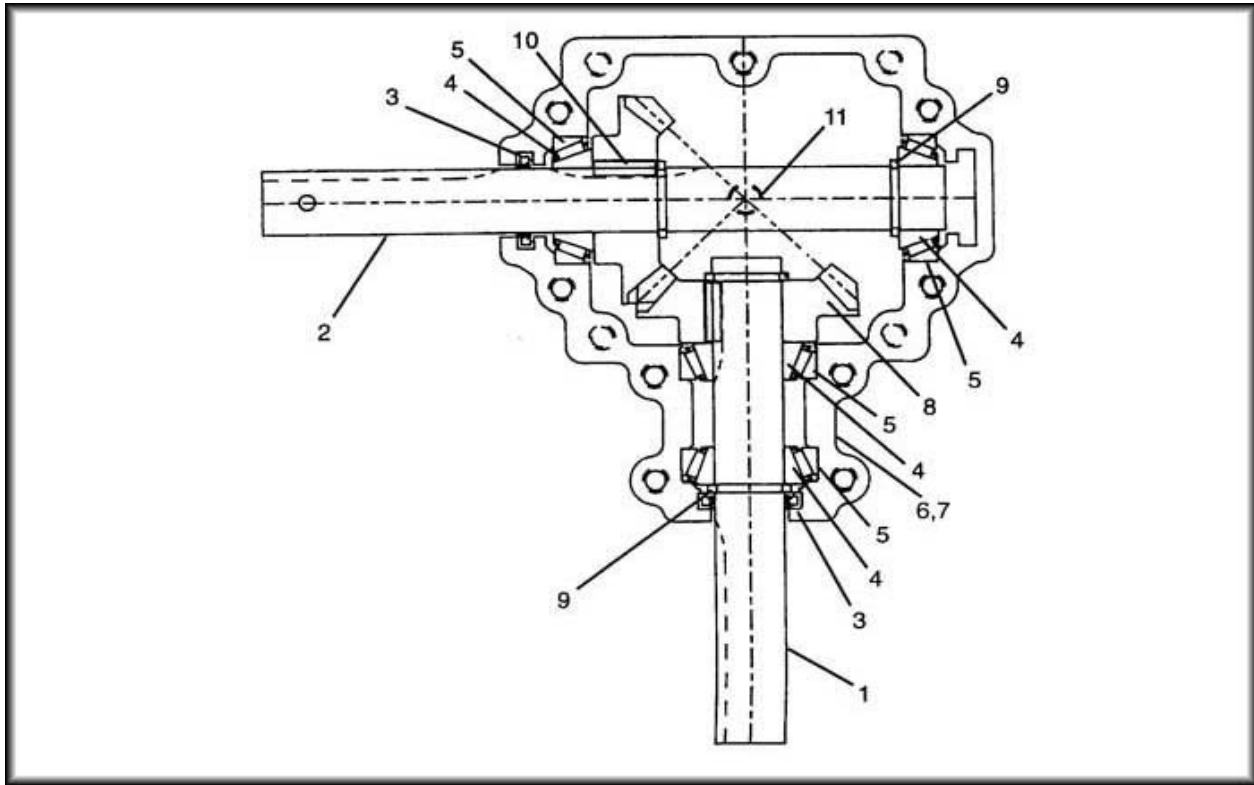
**PTO SHAFT
(Weasler 12 R)**

REF	PART NO.	DESCRIPTION	QTY
1	903-17585	Spring-Lok Repair Kit #26-10133	1
2	903-17730	Bolt, 5/16-18x1 Grade 8 #11-10223	1
3	900-06003	Nut, 5/16-18	1
4		(This part no longer available - 3/10)	
5	903-17863	Ball Shear Assy. #40-50006	1
6	903-17114	12 R Cross and Bearing Kit #03-10077	2
7	903-17864	Yoke & Shaft #99-16155	1
8	903-17865	Nylon Repair Kit #19-11110	2
9	903-17856	Safety Sign #13-10021	1
10	903-17866	Outer Guard #97-16155	1
11	900-29174	Roll Pin (.25 Dia. x 1.00 Lg.) #11-10454	1
12	903-17867	Inner Guard #96-16155	1
13	903-17859	Safety Sign #13-10022	1
14	903-17868	Yoke, Tube, & Slip Sleeve #98-16155	1
15	903-17493	Yoke #12021-1148	1
	903-17869	PTO Half, Tractor End #93-16155	1
	903-17870	PTO Half, Implement End #92-16155	1
	903-17065	PTO Shaft, Complete #222-16155	1



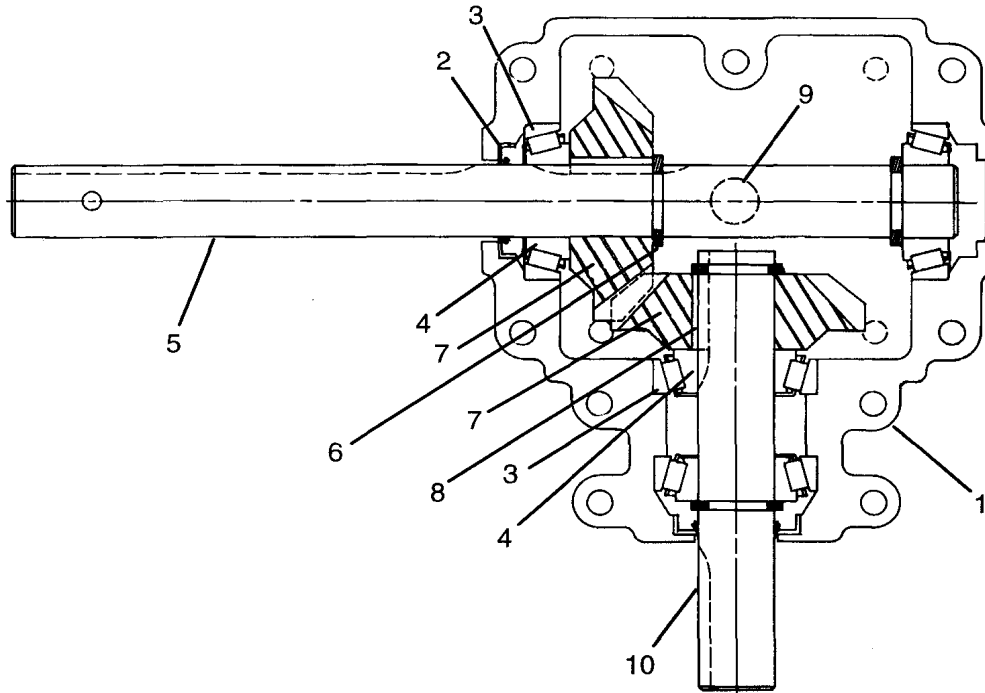
**PTO SHAFT
(Weasler14R)**

REF	PART NO.	DESCRIPTION	QTY
1	903-17544	Spring-Lok Repair Kit #26-10133	1
2	900-01109	Bolt, 3/8-16 x 1.00 Lg. Grade 5	1
3	900-06005	Nut, 3/8-16	1
4		(This part no longer available - 3/10)	
5	903-17853	Ball Shear Assy. #40-40011	1
6	903-17121	14R Cross & Bearing Kit #03-10134	2
7	903-17854	Yoke & Shaft #99-16156	1
8	903-17855	Nylon Bearing Kit #19-11104	2
9	903-17856	Safety Sign #13-10021	1
10	903-17857	Outer Guard #97-16156	1
11	900-29170	Roll Pin (.25 Dia x 1.00 Lg.)	1
12	903-17858	Inner Guard #96-16156	1
13	903-17859	Safety Sign #13-10022	1
14	903-17860	Yoke, Tube & Slip Sleeve #98-16156	1
15	903-17405	Yoke #14011-1339	1
	903-17861	PTO Half, Tractor End #93-16156	1
	903-17862	PTO Half, Implement End #92-16156	1
	903-17003	PTO Shaft, Complete #232-16156	1



GEAR BOX – SUPERIOR

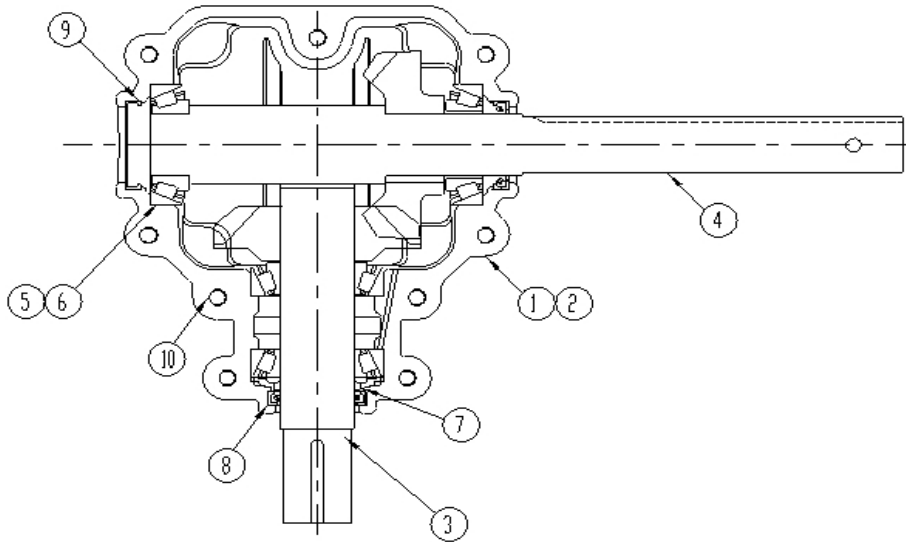
REF	PART NO.	DESCRIPTION	QTY
1	903-15446	Pinion Shaft #200100-70	1
2	903-15447	Cross Shaft #200111-159	1
3	901-09211	Seal, 1" #209843	2
4	901-01018	Bearing Cone, Timken #L44643	4
5	901-01017	Bearing Cup, Timken #L44610	4
6	903-15448	Casting (Tapped Holes) #210001-0 (Shown) (Prior to 2001)	1
"	903-15688	" " " #210003-0 (2002 & Newer)	1
7	903-15449	Casting (Thru Holes) #210002-15 (Prior to 2001)	1
"	903-15689	" " " #210004-1 (2002 & Newer)	1
8	903-15450	Gears (1:1 Ratio 19 Teeth) #211419	2
9	900-39047	Retaining Rings (1" Shaft) #203293	4
10	903-15451	Key (1/4" Square x .93 Long) #200200	2
11	905-03079	Solid Plug (1/4 NPT) #200300	1
12	905-03080	Pressure Relief (5 PSI) #2003PR (not shown)	1
13	900-03047	Bolts (3/8" -16x1-1/2) #203815 (not shown)	9
14	905-01137	Bushing (1/8 NPT to 1/4 NPT)	1
15	905-15026	Zerk, Drive in	1
	903-15442	Gearbox Complete, Superior #R211ADF-207-10 (Tapped holes and above part, no longer available)	-
	"	Thru holes and new part number - #R200-9AAD-B0112	1



GEAR BOX - SUPERIOR

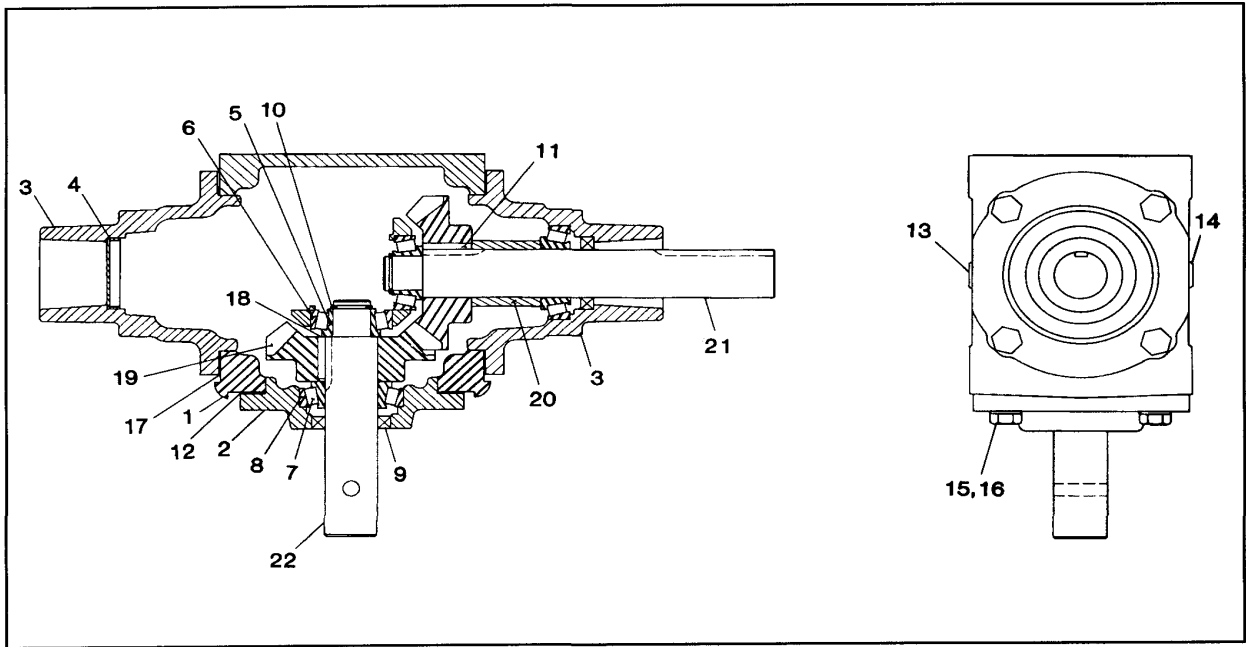
REF	PART NO.	DESCRIPTION	QTY
1	903-15383	Casting with Thru Holes, Superior #400002	1
	903-15384	Casting with Threaded Holes, Superior #400001	1
2	901-09159	Seal, 1-1/4" Shaft, Superior #412458	2
3	901-01236	Bearing Cup, Superior #414276	4
4	901-01237	Bearing Cone, Superior #414124	4
5	903-15385	Cross Shaft, Superior #400111-18	1
6	900-39033	Retaining Ring, Superior #403373	4
7	903-15386	Gear 1:1 Ratio, Superior #411021	2
8	903-15387	Key, 1/4 x 1/4 x 1-1/2, Superior #400200	2
9	903-15388	Solid Plug 1/2" NPT, Superior #400300	1
	903-15389	Vented Plug, 1/2" NPT, Superior #2003PR	1
10	903-15390	Pinion Shaft, Superior #400100-01	1
	903-15391	Bolts, Superior #438225	9
	903-15392	90° Grease Zerk, Superior #205410	1
	903-15382*	Gearbox Complete, Superior #411ADF-057-7	1

* Note: This gear box is no longer manufactured. 903-15643 (next page) replaces it.



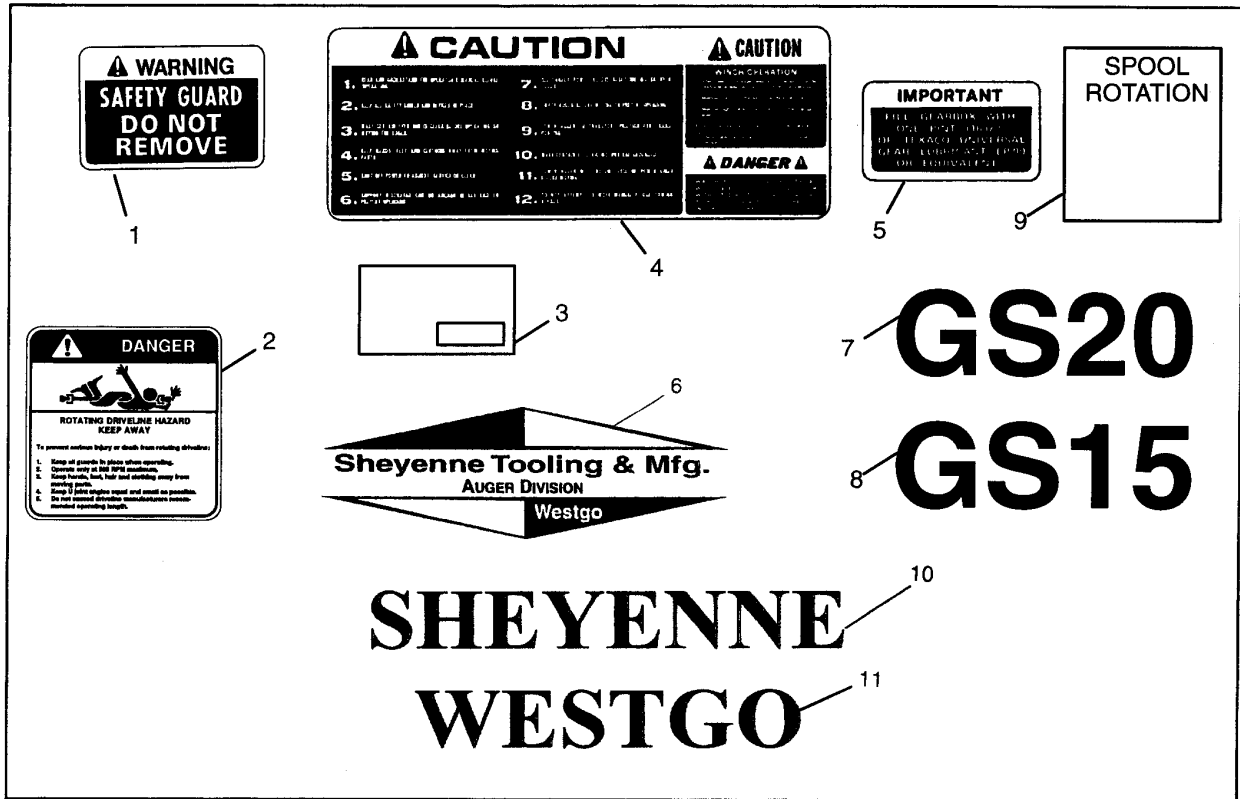
GEAR BOX - SUPERIOR

REF	PART NO.	DESCRIPTION	QTY
1	903-15624	Casting (Thru Holes) #R500-003M-A0536	1
2	903-15644	Casting (Threaded Holes) #500-004M-B0240	1
3	903-15645	Pinion Shaft/Gear Assy #R500-8B00-B0241	1
4	903-15646	Cross Shaft/Gear Assy #R500-8B00-B0243	1
5	901-01236	Bearing Cup #414276	4
6	901-01112	Bearing Cone #514137	4
7	903-15622	Retaining Ring #4503413	1
8	903-15623	Seal 1-3/8" Shaft #513569	2
9	903-15662	End Cap #400301	1
10	S8SH.375x1.5	Bolt, 3/8 x 1-1/2 SHCS #203815	9
11	903-15388	Solid Plug, 1/2"-NPT #400300	Not Shown
12	905-15003	90 Deg Grease Zerk 1/8"-NPT #205400	" "
13	905-01137	Bushing 1/2"-NPT to 1/8"-NPT	" "
14	905-03080	Vent Plug - 5 psi #2003PR	" "
	903-15643	Gearbox Complete #R500-9AAE-B0239	1



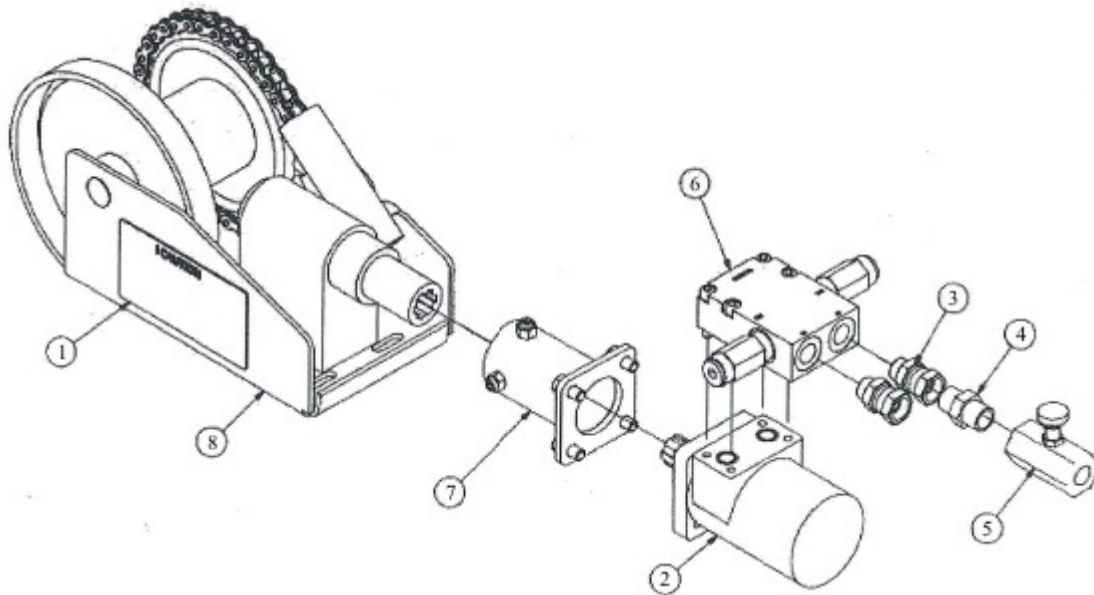
GEAR BOXES - PRAIRIE
(Prairie #2158 For 8")
(Prairie # 7567 For 10")

REF	PART NO.	DESCRIPTION	QTY
1	903-15241	Case, Prairie #1008	1
2	903-15242	Bearing Cap, Prairie #1102	1
3	903-15243	Bearing Cap, Prairie #1116	2
4	903-15252	1-1/2" Plug, Prairie #1858	1
5	901-01099	Bearing Cone #1400	2
6	901-01098	Bearing Cup #1401	2
7	901-01018	Bearing Cone #1402	2
8	901-01017	Bearing Cup #1403	2
9	901-09052	Seal #1470	2
10	900-39024	Retainer #1601	2
11	903-15254	Key, Prairie #1650	2
12	903-15244	Shim, .020 (Yellow), Prairie #1523	A/R
	903-15245	Shim, .0075 (Natural), Prairie #1522	A/R
	903-15246	Shim, .005 (Blue), Prairie #1521	A/R
13	903-15039	Pipe Plug, Prairie #1872	1
14	903-15041	Vent Plug, Prairie #1879	1
15	900-01057	5/16-NC x 7/8 Hex Bolt	12
16	900-11010	5/16 Lock Washer	12
17	903-15251	Gasket, Prairie #1509	1
18	903-15250	Shim, Prairie #1804	2
19	903-15255	Gear, Prairie #4200	2
20	903-15247	Spacer, Prairie #1803	1
21	903-15404	Cross Shaft, Prairie #4379 (8")	1
	903-15652	Cross Shaft, Prairie #5338 (10")	1
22	903-15264	Pinion Shaft, Prairie #1311	1
	903-15403	Gearbox Complete, Prairie #2158 (8") (Painted # 100-3-3916)	1
	903-15647	Gearbox Complete, Prairie #7567 (10") (Painted # 100-3-4943)	1



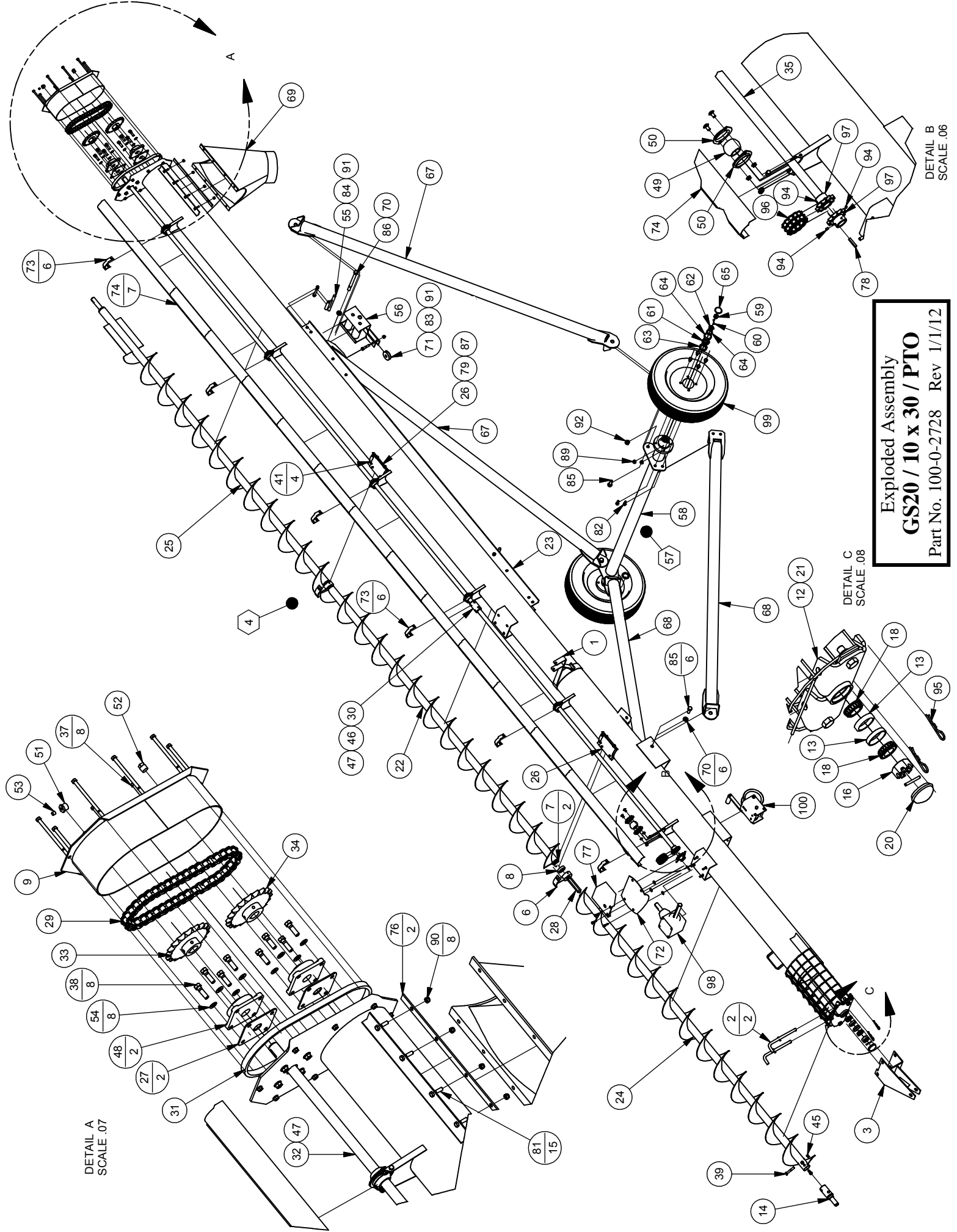
DECALS

REF	PART NO.	DESCRIPTION	QTY
1	100-3-1367	Decal, Safety Guard	1
2	100-3-2451	Decal, Rotating Driveline Hazard	1
3	100-3-1372	Decal, Serial No.	1
4	100-3-3342	Decal, Auger Caution	1
5	100-3-2032	Decal, Gearbox Oil Fill Notice	1
6	100-3-4460	Decal, Sheyenne Logo	2
7	100-3-3803	Decal, GS20	2
8	100-3-3899	Decal, GS15	2
9	100-3-3905	Decal, Caution Spool Rotation	1
10	100-3-4462	Decal, Sheyenne	2
11	100-3-4466	Decal, Westgo	2
	906-01030	Yellow Paint, Aerosol	1
	906-01065	Yellow Paint, Quart	1
	906-01064	Yellow Paint, Gallon	1
	906-01015	Black Paint, Aerosol	1
	906-01015	Black Paint, Quart	1
	906-01063	Black Paint, Gallon	1



HYDRAULIC WINCH
Complete Kit - Part Number - 100-1-0758
Worm Drive Sub-Assembly (shown above) - P/N - 100-2-2640

REF	PART NO.	DESCRIPTION	QTY
1	100-3-3947	Decal, Hyd Winch	1
2	904-05225	Hyd Motor, Char-Lynn 101-1857	1
3	904-08089	Adapter, 8MB-8FPX	2
4	905-01228	Hex Nipple, 1/2 MP X 1/2 MP	1
5	905-03089	Needle Valve, KLN500S	1
6	905-03110	Manifold, Cross Over Relief	1
7	905-12142	Motor Mount W/A	1
8	905-12146	Winch Sub-Assy	1
	900-01105	3/8 x 3/4 Hex Head Cap Screw	(Not Shown) 4
	900-11011	3/8 Split Lock Washer	4
	100-2-3995	Hydraulic Winch Bracket W/A	1
	100-3-4897	1/2 Hose – 1/2 MP x 1/2 MP x 16 Feet	2
	905-19003	Quick Coupler 8010-4P	2
	900-01113	3/8 x 1-1/2 HHCS Gr5	3
	900-06005	3/8 NC Hex Nut, Zinc	3
	900-11011	3/8 Split Lock Washer	3
	900-11033	3/8 USS Flat Washer	6



DETAIL A
SCALE .07

DETAIL B
SCALE .06

DETAIL C
SCALE .08

Exploded Assembly
GS20 / 10 x 30 / PTO
Part No. 100-0-2728 Rev 1/1/12

Parts List				Parts List				Parts List			
ITEM	QT	PART NUMB	DESCRIPTION	ITEM	QT	PART NUMB	DESCRIPTION	ITEM	QT	PART NUMB	DESCRIPTION
1	1	100-2-0580	BRACKET WELD, PTO REST	39	2	900-01237	1/2-13 X 3 GR 5 HHCS	71	1	100-3-3045	3" CABLE PULLEY ASSY
2	2	100-2-1910	PIN ASSY., 1220 HITCH	40	12	900-01694	3/8NC X 3/4 CARRIAGE BOLT	72	1	100-3-3051	PTO SHAFT SHIELD
3	1	100-2-1911	HITCH W/A	41	4	900-03439	3/8NC X 1-1/4 SERR FLANGE BOLT	73	6	100-3-3207	BRACKET, SHIELD
4	1	100-2-2129	TUBE ASSY 10X30 GS20	42	20	900-06137	5/16 NC SERR FLANGE NUT	74	7	100-3-3208	SHIELD, LINE SHAFT
5	2	100-2-1311	10" HEX BEARING ASSY.	43	16	900-06139	3/8 NC SERR FLANGE NUT	75	1	100-3-3228	10" HALF BAND 2"WIDE
6	1	100-2-2833	HANGER W/A, 10" HEX BRG	44	8	900-06143	1/2 NC SERR FLANGE NUT	76	2	100-3-3864	BAR, SPOUT
7	2	900-17193	1/4 X 5/16 NC SET SCREW CONE	45	2	900-06504	1/2" NC TOPLOCK NUT	77	1	100-3-3901	SHIELD
8	1	901-01121	1-1/8" HEX BEARING	46	4	900-16387	3/8NC X 3/8 SKT SET SCREW	78	1	106-3-0529	KEY, 1/4SQ X 1-1/2
9	1	100-2-1907	COVER W/A, 10"	47	3	900-27033	1/4 X 1-1/4 WOODRUFF KEY #810	79	8	900-01001	1/4-20 X 1/2 GR 5 HHCS
10	1	100-2-1913	HITCH ASSY, 10" GS20	48	2	901-01005	1-1/4 Bearing, 4 Bolt Flange	80	2	900-01111	3/8-16 X 1-1/4 GR 5 HHCS
11	1	100-2-1915	HITCH MOUNT SUB-ASSY, 10"	49	6	901-01266	WOOD BRG, SOLID 62mm 1.25B	81	15	900-01113	3/8NC X 1-1/2 HEX BOLT G5
12	1	100-2-1917	HITCH MOUNT WELD, 10" 1220	50	12	901-01270	FLANGETT, 62M-2 ZP	82	4	900-01223	1/2-13 X 1-1/4 GR 5 HHCS
13	2	901-01016	LM67010 CUP	51	1	905-01159	HEX BUSHING, 1/2MPT X 1/8FPT	83	1	900-01233	1/2-13 X 2-1/2 GR 5 HHCS ZP
14	1	100-3-3487	SHAFT, BEARING	52	1	905-01548	1/2 Square Plug, 150psi Galv	84	2	900-01249	1/2-13 X 5 GR 5 HHCS ZP
15	1	100-3-3492	CAP, BEARING	53	1	905-03080	VENT PLUG, 1/8" NPT	85	6	900-01403	3/4NC X 2 HEX BOLT GR5
16	1	900-06066	NUT, CASTLE - 1"	54	8	B1000-076	BELLEVILLE SPRING WASHER	86	1	900-01443	HEX BOLT, 3/4 NC X 10 GR 5 ZP
17	1	900-29182	1/4 X 2 ROLL PIN	55	2	100-2-2171	TRACK STOP	87	8	900-06135	1/4" SERR. FLANGE NUT
18	2	901-01015	BEARING CONE LM67048	56	1	100-2-2172	TRAVELER, TRACK	88	2	900-06139	3/8 NC SERR FLANGE NUT
19	1	901-09203	SEAL	57	1	100-2-3326	AXLE ASSY., 3.5 X 80 TUBE LENGTH	89	4	900-06143	1/2 NC SERR FLANGE NUT
20	1	905-09009	CAP, HUB	58	1	100-2-3325	AXLE WELD, 3.5 X 80 TUBE LENGTH	90	8	900-06500	3/8 TOPLOCK NUT- UNC
21	1	905-15024	1/4-28 NF ST. GREASE ZERK	59	2	900-06058	SLOTTED HEX NUT - 3/4 - 16 UNF	91	3	900-06504	1/2" NC TOPLOCK NUT
22	1	100-2-2002	INTERMEDIATE HELICOID, 10"	60	2	900-23034	COTTER PIN, 5/32X1-1/4	92	7	900-06510	3/4 - 10 TOP LOCK HEX NUT
23	1	100-2-2098	TUBE WELD, 10X30 GS20	61	2	901-01015	BEARING CONE LM67048	93	3	900-11033	3/8 USS FLATWASHER
24	1	100-2-2120	BTTM HLCD GS20, 10"	62	2	901-01026	BEARING CONE LM11949	94	4	900-16329	SET SCREW, 1/4NCX3/8
25	1	100-2-2169	TOP HLCD W/A 10" GS20	63	2	901-09001	SEAL 906296	95	2	900-25005	R HITCH PIN #9
26	2	100-3-1113	ACCESS COVER	64	2	905-09002	4 BOLT HUB WITH CUPS	96	24	903-03147	COUPLER CHAIN, 60-2
27	2	100-3-1894	GASKET, 1-1/4 BEARING	65	2	905-09008	DUST CAP	97	2	903-05043	SPROCKET, 60B12, 1.25 BORE
28	2	100-3-2396	HEX SHAFT, 1-1/8"	66	8	905-09010	WHEEL BOLT, 1/2NF X 1-1/16	98	1	903-15643	GEAR BOX
29	1	100-3-3203	CHAIN, 80-1 X 39 LINKS	67	2	100-2-3486	LIFT ARM W/A 13X30 GS	99	2	905-09015	WHEEL ASSY.
30	1	100-3-3219	COUPLER, LINESHAFT 1-1/4	68	2	100-2-3672	REACH ARM W/A 30 FT GS	100	1	905-12083	WINCH, FULTON---K-1550
31	1	100-3-3509	GASKET, 10" HEAD COVER	69	1	100-3-2112	10" PLASTIC SPOUT				
32	1	100-3-3799	LINESHAFT, 1-1/4 X 184"	70	6	100-3-2890	FLANGED BUSHING				
33	1	100-3-3801	SPROCKET, 80-1, 19T 1.25B								
34	1	100-3-3802	SPROCKET, 80-1 20T 1.25B								
35	1	100-3-3831	LINESHAFT, 1-1/4 X 105"								
36	12	900-01055	5/16NC X 3/4 HEX BOLT G5								
37	8	900-01141	3/8NC X 6 HEX BOLT GR5								
38	8	900-01227	1/2 X 1-3/4 GR 5 HHCS								

Notes:

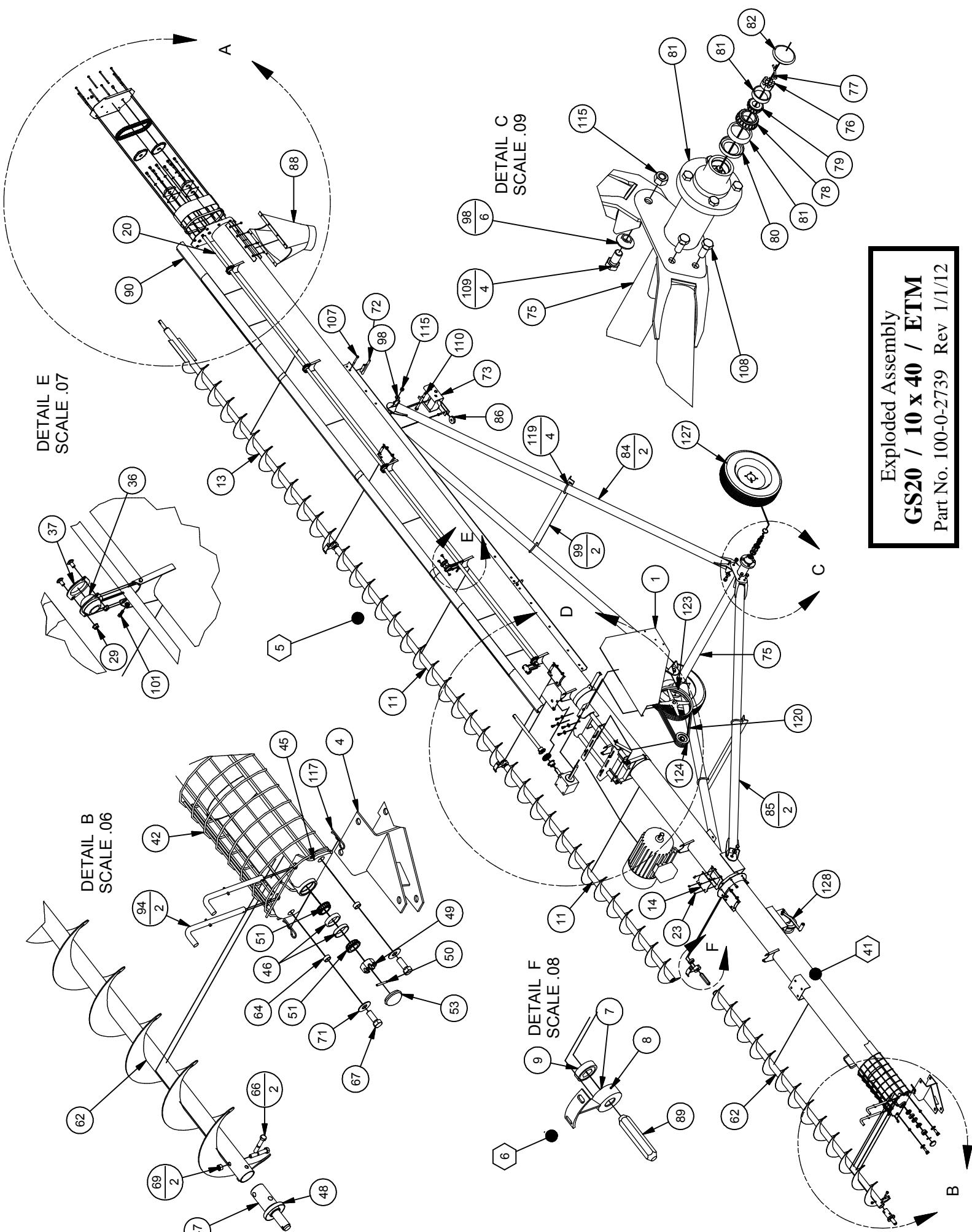
Item # 100 changes to a larger winch on 10 x 60 and up, P/N 905-12084.

Item # 100 can be replaced with a hydraulic winch. See page 89. P/N 100-1-0758.

Parts List

GS20 / 10 x 30 / PTO

Part No. 100-0-2728 Rev 1/1/12

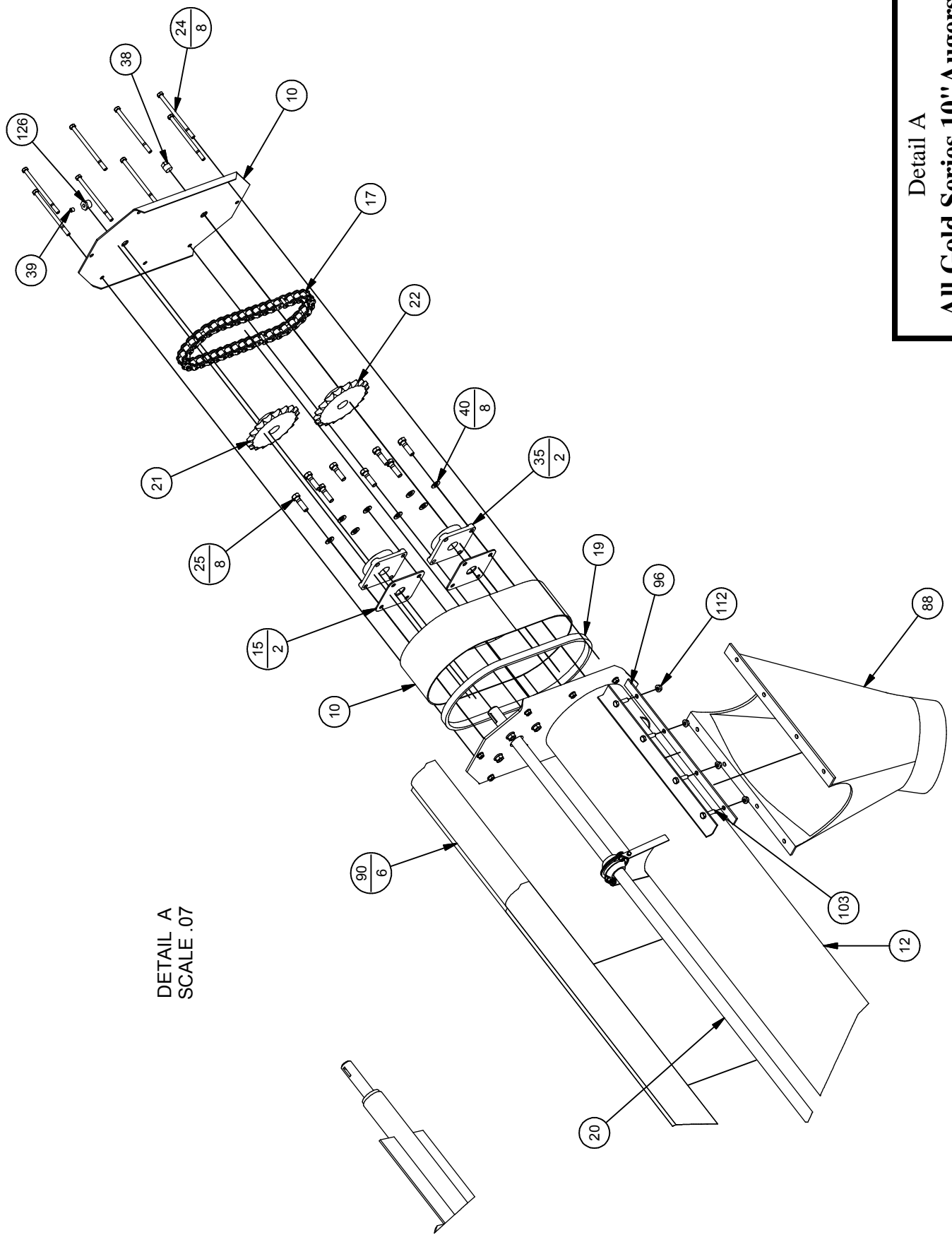


Exploded Assembly
GS20 / 10 x 40 / ETM
 Part No. 100-0-2739 Rev 1/1/12

Parts List			Parts List			Parts List					
ITEM	QTY	PART NUMBER	DESCRIPTION	ITEM	QTY	PART NUMBER	DESCRIPTION	ITEM	QTY	PART NUMBER	DESCRIPTION
1	1	100-2-1034	SHIELD, PULLEY	43	1	100-2-1913	HITCH ASSY, 10" GS20	85	2	100-2-3673	REACH ARM W/A 40 FT GS
2	1	100-2-1762	MOTOR MOUNT W/A	44	1	100-2-1915	HITCH MOUNT SUB-ASSY, 10"	86	1	100-3-0067	3" CABLE PULLEY ASSY
3	1	100-2-1763	10" MOUNT WELDMENT	45	1	100-2-1917	HITCH MOUNT WELD, 10" 1220	87	1	100-3-0989	KEY, 1/4SQ X 2-1/2
4	1	100-2-1911	HITCH W/A	46	2	901-01016	LM67010 CUP	88	1	100-3-2112	10" PLASTIC SPOUT
5	1	100-2-2130	TOP TUBE ASSY, 10X40 GS20	47	1	100-3-3487	SHAFT, BEARING	89	1	100-3-2396	HEX SHAFT, 1-1/8"
6	3	100-2-1311	10" HEX BEARING ASSY.	48	1	100-3-3492	CAP, BEARING	90	6	100-3-3208	SHIELD, LINE SHAFT
7	1	100-2-2833	HANGER W/A, 10" HEX BRG	49	1	900-06066	NUT, CASTLE - 1"	91	3	100-3-3227	10" HALF BAND 2"WIDE
8	2	900-17193	1/4 X 5/16 NC SET SCREW CONE	50	1	900-29182	1/4 X 2 ROLL PIN	92	1	100-3-3245	SHIELD BRACE
9	1	901-01121	1-1/8" HEX BEARING	51	2	901-01015	BEARING CONE LM67048	93	1	100-3-3246	SHIELD BRACE, ELEC DRIVE
10	1	100-2-1907	COVER W/A, 10"	52	1	901-09203	SEAL	94	2	100-3-3500	HITCH PIN
11	2	100-2-2002	INTERMEDIATE HELICOID, 10"	53	1	905-09009	CAP, HUB	95	1	100-3-3829	LINESHAFT, 1-1/4 X 20"
12	1	100-2-2099	TOP TUBE W/A, 10X40 GS20	54	1	905-15024	1/4-28 NF ST. GREASE ZERK	96	2	100-3-3864	BAR, SPOUT
13	1	100-2-2169	TOP HLCD W/A 10" GS20	55	1	100-3-1411	LINESHAFT BRACKET	97	1	100-3-3901	SHIELD
14	3	100-3-1113	ACCESS COVER	56	1	100-3-1772	WINCH BRACKET	98	6	100-3-5717	FLANGED PIVOT BUSHING
15	2	100-3-1894	GASKET, 1-1/4 BEARING	57	1	100-3-1851	BASE, ACCESS COVER	99	2	100-3-6130	BRACE ANGLE, 13"
16	2	100-3-2396	HEX SHAFT, 1-1/8"	58	1	100-3-2803	HANDLE	100	1	106-3-0529	KEY, 1/4SQ X 1-1/2
17	1	100-3-3203	CHAIN, 80-1 X 39 LINKS	59	1	100-3-3193	GEARBOX MOUNT CHANNEL	101	10	900-01005	1/4-20 x 3/4 GR 5 HHCS
18	1	100-3-3219	COUPLER, LINESHAFT 1-1/4	60	1	106-3-0307	10" ANGLE RING	102	5	900-01109	3/8-16 X 1 GR 5 HHCS
19	1	100-3-3509	GASKET, 10" HEAD COVER	61	1	907-33634	TUBE, 10" X 12 GA X 103"	103	11	900-01113	3/8NC X 1-1/2 HEX BOLT G5
20	1	100-3-3798	LINESHAFT, 1-1/4 X 240"	62	1	100-2-2120	BTTM HLCD GS20, 10"	104	16	900-01221	1/2NC X 1 HEX BOLT GR5
21	1	100-3-3801	SPROCKET, 80-1, 19T 1.25B	63	1	100-3-1113	ACCESS COVER	105	4	900-01225	1/2NC X 1-1/2 HEX BOLT G5
22	1	100-3-3802	SPROCKET, 80-1 20T 1.25B	64	2	100-3-3898	SPACER	106	1	900-01233	1/2-13 X 2-1/2 GR 5 HHCS ZP
23	12	900-01055	5/16NC X 3/4 HEX BOLT G5	65	4	900-01055	5/16NC X 3/4 HEX BOLT G5	107	2	900-01249	1/2-13 X 5 GR 5 HHCS ZP
24	8	900-01141	3/8NC X 6 HEX BOLT GR5	66	2	900-01237	1/2-13 X 3 GR 5 HHCS	108	4	900-01341	5/8 NC X 1-1/2 HEX BOLT GR5
25	8	900-01227	1/2 X 1-3/4 GR 5 HHCS	67	2	900-01403	3/4NC X 2 HEX BOLT GR5	109	4	900-01399	3/4 X 1-1/2 GR 5 HHCS
26	10	900-01694	3/8NC X 3/4 CARRIAGE BOLT	68	4	900-06137	5/16 NC SERR FLANGE NUT	110	1	900-01441	3/4 NC X 9-1/2 HEX BOLT
27	6	900-03439	3/8NC X 1-1/4 SERR FLANGE BOLT	69	2	900-06504	1/2" NC TOPLOCK NUT	111	10	900-06135	1/4" SERR. FLANGE NUT
28	12	900-06137	5/16 NC SERR FLANGE NUT	70	2	900-06510	3/4 - 10 TOP LOCK HEX NUT	112	16	900-06139	3/8 NC SERR FLANGE NUT
29	24	900-06139	3/8 NC SERR FLANGE NUT	71	2	900-11038	3/4 USS FLAT WASHER	113	23	900-06143	1/2 NC SERR FLANGE NUT
30	8	900-06143	1/2 NC SERR FLANGE NUT	72	2	100-2-2171	TRACK STOP	114	4	900-06145	5/8NC SERR FLANGE NUT
31	2	900-06270	3/8NC HEX JAM NUT	73	1	100-2-2172	TRAVELER, TRACK	115	5	900-06510	3/4 - 10 TOP LOCK HEX NUT
32	2	900-16387	3/8NC X 3/8 SKT SET SCREW	74	1	100-2-3326	AXLE ASSY., 3.5 X 80 TUBE LENGTH	116	8	900-11035	1/2" USS FLATWASHER
33	2	900-16391	3/8NCX1/2 SKT SET SCREW CUP PT	75	1	100-2-3325	AXLE WELD, 3.5 X 80 TUBE LENGTH	117	2	900-25005	R HITCH PIN #9
34	3	900-27033	1/4 X 1-1/4 WOODRUFF KEY #810	76	2	900-06058	SLOTTED HEX NUT - 3/4 - 16 UNF	118	2	900-29176	1/4 X 1-1/4 ROLL PIN
35	2	901-01005	1-1/4 Bearing, 4 Bolt Flange	77	2	900-23034	COTTER PIN, 5/32X1-1/4	119	4	900-31080	1/2"-13 X 3-1/2" U-BOLT ZP
36	5	901-01266	WOOD BRG, SOLID 62mm 1.25B	78	2	901-01015	BEARING CONE LM67048	120	3	903-01109	B-66 V BELT
37	10	901-01270	FLANGETT, 62M-2 ZP	79	2	901-01026	BEARING CONE LM11949	121	1	903-03127	CHAIN, CONNECTOR
38	1	905-01548	1/2 Square Plug, 150psi Galv	80	2	901-09001	SEAL_906296	122	2	903-05040	COUPLER SPROCKET, 1-1/4 6012
39	1	905-03080	VENT PLUG, 1/8" NPT	81	2	905-09002	4 BOLT HUB WITH CUPS	123	1	903-07996	PULLEY
40	8	B1000-076	BELLEVILLE SPRING WASHER	82	2	905-09008	DUST CAP	124	1	903-08396	PULLEY 4 B 54 SD
41	1	100-2-2140	BTTM TUBE ASSY, 10X40 GS20	83	8	905-09010	WHEEL BOLT, 1/2NF X 1-1/16	125	1	903-15643	GEARBOX, R500, SUPERIOR
42	1	100-2-2106	BTTM TUBE W/A, 10X40 GS20	84	2	100-2-3476	LIFT ARM W/A 13X40 GS	126	1	905-01159	HEX BUSHING, 1/2MPT X 1/8FPT
								127	2	905-09015	WHEEL ASSY.
								128	1	905-12083	WINCH, FULTON--K-1550

Notes: Item # 128 changes to a larger winch on 10 x 60 and up, P/N 905-12084.
Item # 128 can be replaced with a hydraulic winch, see page 89, P/N 100-1-0758.

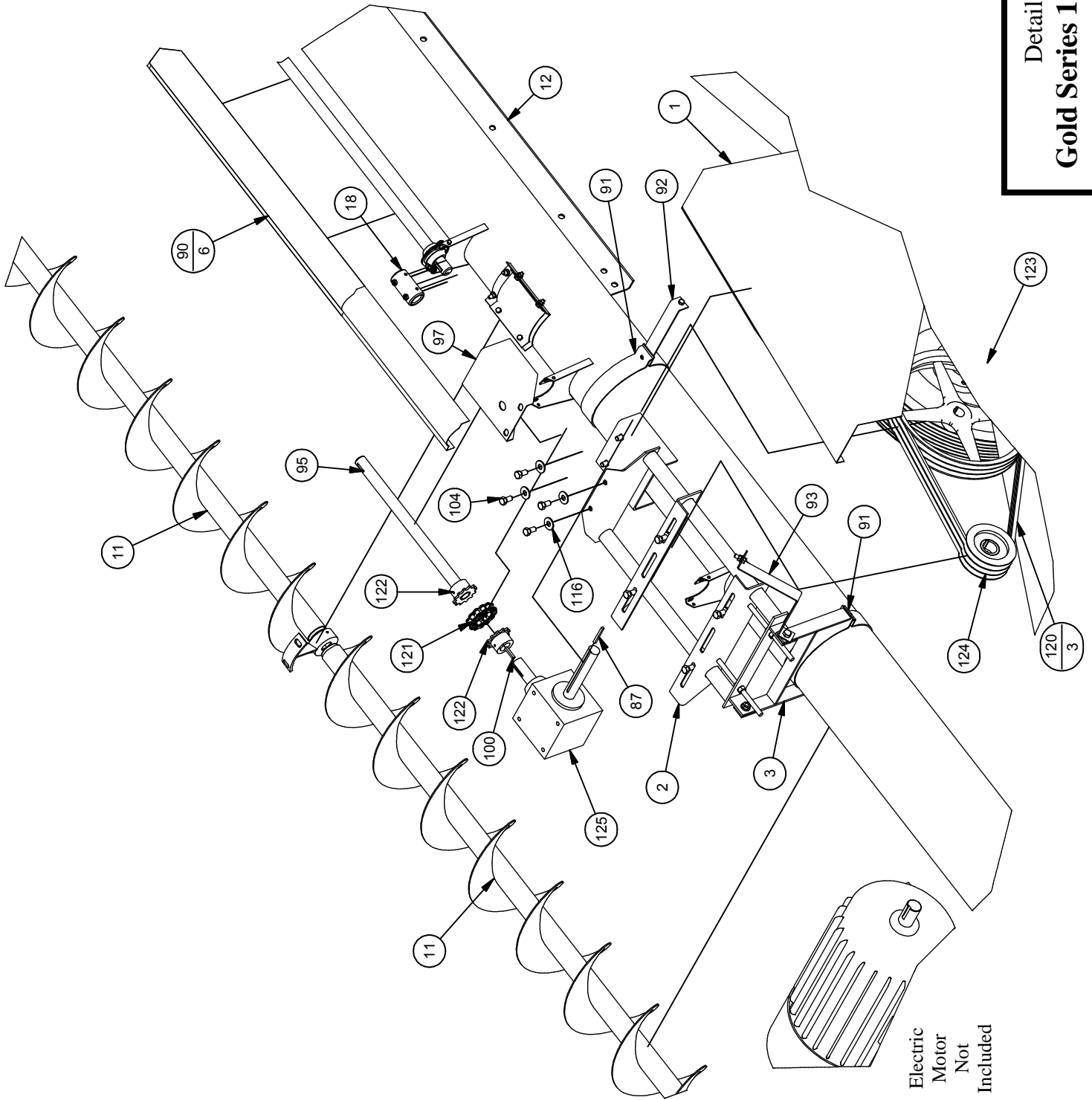
Detail A
All Gold Series 10" Augers

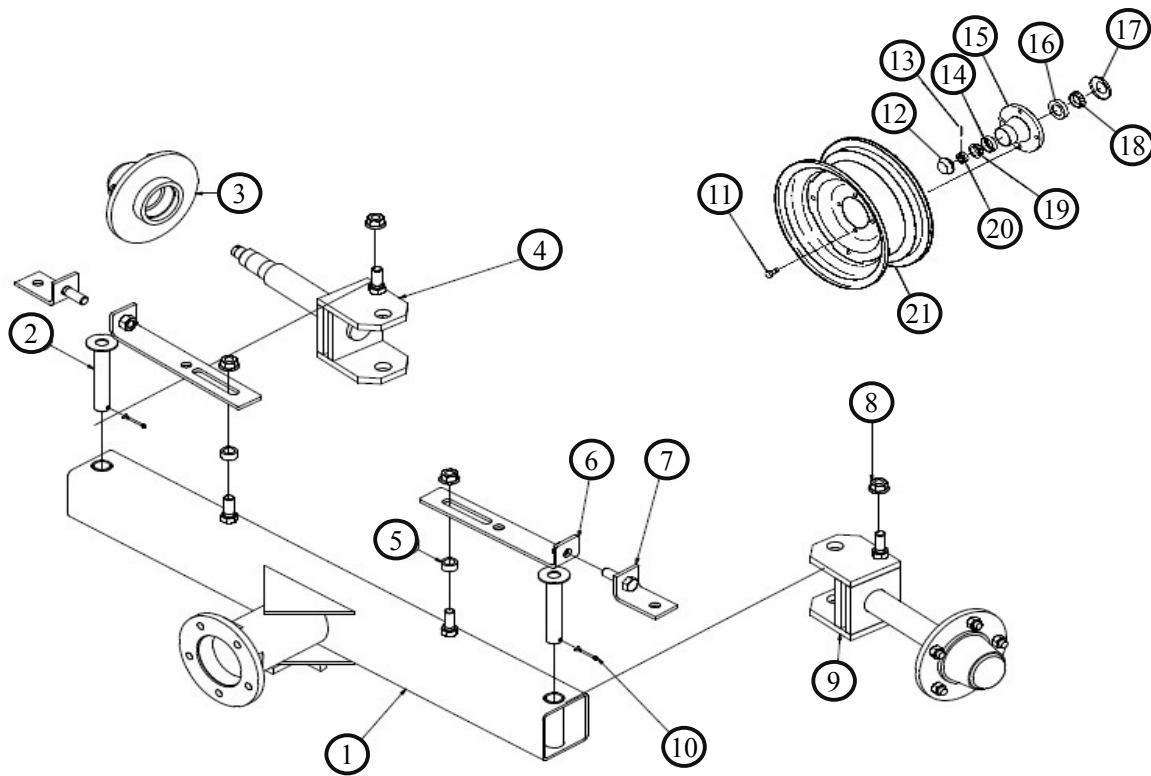


DETAIL A
 SCALE .07

DETAIL D
SCALE .065

Detail D
Gold Series 10" / ETM





WALKING TANDEM OPTION
WITH HUB BREAKDOWN AND RIM

REF	PART NO.	DESCRIPTION	QTY *
1	100-2-2972	Axle, walking tandem	1
2	100-2-2842	Pin W/A	2
3	100-2-1051	5 Bolt hub assembly (breakdown of hub assy in upper corner and with ** below)	2
4	100-2-2974	Swivel axle head, left hand	1
5	100-3-4587	Spacer	2
6	100-2-2971	Linkage ear W/A	2
7	100-2-2973	Linkage bar W/A	2
8	900-06145	Nut, serrated flange – 5/8NC	4
9	100-2-2975	Swivel axle head, right hand	1
10	900-23027	Pin, cotter -1/8 x 1-1/2	2
11	905-09011 **	Wheel nuts, ½ NF (comes with item 3)	5
12	905-09009	Dust cap, #DC-13	1
13	900-23034	Cotter pin, 5/32 x 1-1/4 (comes with axle)	(1)
14	901-01027	Bearing cup, outer (comes with item 15, then 3)	(1)
15	905-09003	5 bolt hub with cups and lug bolts	1
16	901-01016	Bearing cup, inner (comes with item 15, then 3)	(1)
17	901-09002	Seal-CR 17617	1
18	901-01015	Bearing cone, inner LM67048	1
19	901-01023	Bearing cone, outer LM48548	1
20	900-06058	Nut, slotted hex ¾ NF (comes with axle)	(1)
21	905-09078	Rim, 5 bolt - 15 x 6	2

* The items in black above are of **one** side of the auger. All quantities need to be doubled for a complete assembly. Complete assembly part number is 100-2-2841.

** All items in color are for services parts only and quantities should be ordered as needed

HARDWARE

NUTS		WASHERS	
PART NO.	DESCRIPTION	PART NO.	DESCRIPTION
900-06194	3/16 NC Hex Nut	900-11007	3/16 Lock Washer
900-06001	1/4 NC Hex Nut	900-11009	1/4 Lock Washer
900-06003	5/16 NC Hex Nut	900-11010	5/16 Lock Washer
900-06005	3/8 NC Hex Nut	900-11011	3/8 Lock Washer
900-06007	7/16 NC Hex Nut	900-11012	7/16 Lock Washer
900-06009	1/2 NC Hex Nut	900-11013	1/2 Lock Washer
900-06010	1/2 NF Hex Nut	900-11014	9/16 Lock Washer
900-06011	9/16 NC Hex Nut	900-11015	5/8 Lock Washer
900-06013	5/8 NC Hex Nut	900-11017	3/4 Lock Washer
900-06015	3/4 NC Hex Nut	900-11019	7/8 Lock Washer
900-06017	7/8 NC Hex Nut	900-11021	1" Lock Washer
900-06019	1" NC Hex Nut	900-11023	1-1/8 Lock Washer
900-06023	1-1/4 NC Hex Nut	900-11025	1-1/4 Lock Washer
900-06025	1-3/8 NC Hex Nut	900-11029	1-1/2 Lock Washer
900-06027	1-1/2 NC Hex Nut		
900-06056	5/8 NF Slotted Hex Nut	900-11030	3/16 Flat Washer
900-06058	3/4 NF Slotted Hex Nut	900-11031	1/4 Flat Washer
900-06060	7/8 NF Slotted Hex Nut	900-11032	5/16 Flat Washer
900-06062	1" NF Slotted Hex Nut	900-11033	3/8 Flat Washer
900-06065	1-1/4 NC Slotted Hex Nut	900-11034	7/16 Flat Washer
900-06066	1-1/4 NF Slotted Hex Nut	900-11035	1/2 Flat Washer
900-06070	1-1/2 NF Slotted Hex Nut	900-11036	9/16 Flat Washer
		900-11037	5/8 Flat Washer
900-06135	1/4 NC Flanged Whiz Lock Nut	900-11038	3/4 Flat Washer
900-06137	5/16 NC Flanged Whiz Lock Nut	900-11039	7/8 Flat Washer
900-06139	3/8 NC Flanged Whiz Lock Nut	900-11040	1" Flat Washer
900-06141	7/16 NC Flanged Whiz Lock Nut	900-11041	1-1/8 Flat Washer
900-06143	1/2 NC Flanged Whiz Lock Nut	900-11042	1-1/4 Flat Washer
900-06145	5/8 NC Flanged Whiz Lock Nut	900-11044	1-1/2 Flat Washer
900-06270	3/8 NC Jam Nut		
900-06276	1/2 NC Jam Nut		
900-06280	5/8 NC Jam Nut		
900-06282	3/4 NC Jam Nut		
900-06284	7/8 NC Jam Nut		
900-06286	1" NC Jam Nut		
900-06288	1-1/8 NC Jam Nut		
900-06292	1-3/8 NC Jam Nut		
900-06496	1/4 NC Top Lock Nut		
900-06498	5/16 NC Top Lock Nut		
900-06500	3/8 NC Top Lock Nut		
900-06502	7/16 NC Top Lock Nut		
900-06504	1/2 NC Top Lock Nut		
900-06508	5/8 NC Top Lock Nut		
900-06510	3/4 NC Top Lock Nut		
900-06512	7/8 NC Top Lock Nut		
900-06514	1" NC Top Lock Nut		
900-06518	1-1/4 NC Top Lock Nut		

**Bolts are
in the
Main List**

INDEX

Part Number	Page
100-1-0758	67
100-1-0758	89
100-2-0324	75
100-2-0580	75
100-2-0580	91
100-2-0859	71
100-2-1034	74
100-2-1034	93
100-2-1051	96
100-2-1209	71
100-2-1210	71
100-2-1311	63
100-2-1311	91
100-2-1311	93
100-2-1391	63
100-2-1448	73
100-2-1449	73
100-2-1450	73
100-2-1556	65
100-2-1673	73
100-2-1762	74
100-2-1762	93
100-2-1763	74
100-2-1763	93
100-2-1781	67
100-2-1861	79
100-2-1863	81
100-2-1864	79
100-2-1889	63
100-2-1906	69
100-2-1907	70
100-2-1907	91
100-2-1907	93
100-2-1908	63
100-2-1910	68
100-2-1910	91
100-2-1911	68

Part Number	Page
100-2-1911	91
100-2-1911	93
100-2-1912	68
100-2-1913	68
100-2-1913	91
100-2-1913	93
100-2-1915	91
100-2-1915	93
100-2-1916	68
100-2-1917	68
100-2-1917	91
100-2-1917	93
100-2-2002	63
100-2-2002	91
100-2-2002	93
100-2-2011	62
100-2-2089	59
100-2-2090	59
100-2-2091	59
100-2-2092	59
100-2-2093	59
100-2-2094	59
100-2-2095	61
100-2-2096	61
100-2-2097	61
100-2-2098	61
100-2-2098	91
100-2-2099	61
100-2-2099	93
100-2-2100	61
100-2-2103	61
100-2-2104	61
100-2-2105	59
100-2-2106	61
100-2-2106	93

Part Number	Page
100-2-2107	59
100-2-2108	59
100-2-2110	59
100-2-2111	59
100-2-2114	61
100-2-2115	61
100-2-2117	61
100-2-2118	61
100-2-2120	63
100-2-2120	91
100-2-2120	93
100-2-2122	63
100-2-2125	59
100-2-2126	59
100-2-2127	59
100-2-2128	59
100-2-2129	61
100-2-2129	91
100-2-2130	61
100-2-2130	93
100-2-2132	61
100-2-2134	61
100-2-2136	59
100-2-2137	59
100-2-2138	59
100-2-2140	61
100-2-2140	93
100-2-2142	61
100-2-2143	61
100-2-2144	67
100-2-2145	67
100-2-2148	59
100-2-2149	59
100-2-2150	59
100-2-2151	59

INDEX

Part Number	Page
100-2-2152	61
100-2-2153	61
100-2-2155	61
100-2-2157	61
100-2-2158	59
100-2-2159	59
100-2-2160	59
100-2-2162	61
100-2-2164	61
100-2-2165	61
100-2-2166	59
100-2-2167	61
100-2-2169	63
100-2-2169	91
100-2-2169	93
100-2-2170	67
100-2-2171	67
100-2-2171	91
100-2-2171	93
100-2-2172	67
100-2-2172	91
100-2-2172	93
100-2-2174	62
100-2-2176	62
100-2-2177	62
100-2-2178	62
100-2-2179	62
100-2-2587	68
100-2-2588	68
100-2-2594	62
100-2-2595	59
100-2-2597	59
100-2-2600	62
100-2-2604	62
100-2-2605	62

Part Number	Page
100-2-2606	62
100-2-2613	67
100-2-2615	67
100-2-2616	59
100-2-2617	59
100-2-2618	59
100-2-2619	59
100-2-2620	62
100-2-2623	63
100-2-2626	79
100-2-2627	77
100-2-2627	81
100-2-2628	77
100-2-2628	79
100-2-2629	77
100-2-2629	79
100-2-2630	79
100-2-2631	81
100-2-2632	77
100-2-2633	77
100-2-2634	77
100-2-2635	77
100-2-2636	77
100-2-2637	77
100-2-2637	79
100-2-2639	77
100-2-2639	79
100-2-2640	89
100-2-2708	67
100-2-2833	63
100-2-2833	91
100-2-2833	93
100-2-2834	63
100-2-2842	96
100-2-2866	79
100-2-2867	79

Part Number	Page
100-2-2894	79
100-2-2895	79
100-2-2896	65
100-2-2971	96
100-2-2972	96
100-2-2973	96
100-2-2974	96
100-2-2975	96
100-2-3070	59
100-2-3071	59
100-2-3072	59
100-2-3073	59
100-2-3074	59
100-2-3075	59
100-2-3076	61
100-2-3325	91
100-2-3325	93
100-2-3326	91
100-2-3326	93
100-2-3451	67
100-2-3461	67
100-2-3462	67
100-2-3463	67
100-2-3464	67
100-2-3465	67
100-2-3467	67
100-2-3473	67
100-2-3474	67
100-2-3475	67
100-2-3476	93
100-2-3477	67
100-2-3478	67
100-2-3479	67
100-2-3480	67
100-2-3481	67

INDEX

Part Number	Page
100-2-3486	91
100-2-3510	67
100-2-3672	91
100-2-3673	93
100-2-3995	89
100-3-0067	93
100-3-0148	72
100-3-0148	77
100-3-0148	79
100-3-0989	73
100-3-0989	74
100-3-0989	93
100-3-1020	75
100-3-1020	77
100-3-1113	71
100-3-1113	91
100-3-1113	93
100-3-1113	93
100-3-1367	88
100-3-1372	88
100-3-1411	93
100-3-1772	93
100-3-1816	67
100-3-1851	93
100-3-1894	69
100-3-1894	70
100-3-1894	91
100-3-1894	93
100-3-1930	69
100-3-1947	69
100-3-1971	69
100-3-2032	88
100-3-2111	71
100-3-2112	71
100-3-2112	91
100-3-2112	93

Part Number	Page
100-3-2396	62
100-3-2396	63
100-3-2396	91
100-3-2396	93
100-3-2396	93
100-3-2404	72
100-3-2405	72
100-3-2413	72
100-3-2414	72
100-3-2451	88
100-3-2545	77
100-3-2545	81
100-3-2560	72
100-3-2636	62
100-3-2636	63
100-3-2760	77
100-3-2791	65
100-3-2803	93
100-3-2804	65
100-3-2864	65
100-3-2882	69
100-3-2883	69
100-3-2890	67
100-3-2890	91
100-3-2896	67
100-3-2896	77
100-3-2896	81
100-3-2899	73
100-3-2899	75
100-3-2911	72
100-3-2912	67
100-3-2912	72
100-3-3021	67
100-3-3045	67
100-3-3045	91

Part Number	Page
100-3-3051	75
100-3-3051	91
100-3-3052	75
100-3-3108	67
100-3-3110	67
100-3-3112	81
100-3-3193	93
100-3-3203	70
100-3-3203	91
100-3-3203	93
100-3-3207	65
100-3-3207	91
100-3-3208	65
100-3-3208	91
100-3-3208	93
100-3-3219	65
100-3-3219	91
100-3-3219	93
100-3-3227	93
100-3-3228	74
100-3-3228	75
100-3-3228	91
100-3-3230	65
100-3-3245	74
100-3-3245	93
100-3-3246	74
100-3-3246	93
100-3-3265	67
100-3-3272	73
100-3-3342	88
100-3-3415	81
100-3-3418	79
100-3-3447	81
100-3-3449	77
100-3-3449	81

INDEX

Part Number	Page
100-3-3453	77
100-3-3453	79
100-3-3454	79
100-3-3486	68
100-3-3487	68
100-3-3487	91
100-3-3487	93
100-3-3492	68
100-3-3492	91
100-3-3492	93
100-3-3497	69
100-3-3500	68
100-3-3500	93
100-3-3509	70
100-3-3509	91
100-3-3509	93
100-3-3510	69
100-3-3573	77
100-3-3573	79
100-3-3574	77
100-3-3574	79
100-3-3575	77
100-3-3575	79
100-3-3613	72
100-3-3795	65
100-3-3796	65
100-3-3797	65
100-3-3798	65
100-3-3798	93
100-3-3799	65
100-3-3799	91
100-3-3800	65
100-3-3801	70
100-3-3801	91
100-3-3801	93

Part Number	Page
100-3-3802	70
100-3-3802	91
100-3-3802	93
100-3-3803	88
100-3-3804	65
100-3-3823	65
100-3-3825	65
100-3-3826	65
100-3-3829	65
100-3-3829	93
100-3-3831	65
100-3-3831	91
100-3-3832	65
100-3-3834	65
100-3-3848	68
100-3-3851	67
100-3-3852	67
100-3-3852	72
100-3-3861	65
100-3-3864	71
100-3-3864	91
100-3-3864	93
100-3-3865	71
100-3-3880	65
100-3-3882	65
100-3-3883	65
100-3-3884	65
100-3-3885	65
100-3-3886	65
100-3-3893	65
100-3-3898	68
100-3-3898	93
100-3-3899	88
100-3-3900	65
100-3-3901	73

Part Number	Page
100-3-3901	74
100-3-3901	75
100-3-3901	77
100-3-3901	79
100-3-3901	91
100-3-3901	93
100-3-3902	72
100-3-3905	88
100-3-3907	81
100-3-3908	77
100-3-3908	81
100-3-3910	77
100-3-3910	79
100-3-3911	77
100-3-3911	79
100-3-3912	77
100-3-3912	79
100-3-3913	65
100-3-3915	79
100-3-3916	77
100-3-3916	79
100-3-3917	77
100-3-3917	81
100-3-3918	65
100-3-3919	79
100-3-3920	81
100-3-3921	81
100-3-3922	81
100-3-3927	77
100-3-3927	79
100-3-3929	77
100-3-3929	81
100-3-3931	77
100-3-3933	77
100-3-3936	77

INDEX

Part Number	Page
100-3-3940	77
100-3-3940	81
100-3-3941	79
100-3-3942	77
100-3-3942	81
100-3-3943	65
100-3-3947	89
100-3-3957	67
100-3-3958	67
100-3-4288	65
100-3-4442	79
100-3-4444	79
100-3-4445	79
100-3-4446	79
100-3-4460	88
100-3-4462	88
100-3-4466	88
100-3-4587	96
100-3-4897	89
100-3-4943	79
100-3-5717	67
100-3-5717	93
100-3-6130	93
106-3-0307	93
106-3-0529	73
106-3-0529	74
106-3-0529	75
106-3-0529	77
106-3-0529	81
106-3-0529	91
106-3-0529	93
900-01001	65
900-01001	91
900-01005	93
900-01055	71
900-01055	77

Part Number	Page
900-01055	81
900-01055	91
900-01055	93
900-01055	93
900-01057	87
900-01061	77
900-01105	73
900-01105	89
900-01109	67
900-01109	73
900-01109	73
900-01109	74
900-01109	75
900-01109	77
900-01109	81
900-01109	83
900-01109	93
900-01111	63
900-01111	91
900-01113	71
900-01113	73
900-01113	74
900-01113	75
900-01113	77
900-01113	81
900-01113	89
900-01113	91
900-01113	93
900-01117	62
900-01117	81
900-01121	62
900-01121	63
900-01133	77
900-01133	81
900-01137	67
900-01141	69

Part Number	Page
900-01141	70
900-01141	91
900-01141	93
900-01177	69
900-01197	67
900-01221	67
900-01221	73
900-01221	74
900-01221	75
900-01221	93
900-01223	77
900-01223	79
900-01223	91
900-01225	93
900-01227	69
900-01227	70
900-01227	91
900-01227	93
900-01233	67
900-01233	91
900-01233	93
900-01237	62
900-01237	63
900-01237	91
900-01237	93
900-01249	67
900-01249	91
900-01249	93
900-01253	67
900-01341	72
900-01341	93
900-01399	67
900-01399	93
900-01403	68
900-01403	91
900-01403	93

INDEX

Part Number	Page
900-01441	93
900-01443	67
900-01443	91
900-01668	65
900-01694	65
900-01694	91
900-01694	93
900-03031	77
900-03047	84
900-03439	91
900-03439	93
900-06003	82
900-06005	83
900-06058	71
900-06058	91
900-06058	93
900-06058	96
900-06066	68
900-06066	91
900-06066	93
900-06135	91
900-06135	93
900-06137	91
900-06137	93
900-06137	93
900-06139	91
900-06139	91
900-06139	93
900-06139	93
900-06143	91
900-06143	91
900-06143	93
900-06143	93
900-06145	93
900-06145	96

Part Number	Page
900-06170	81
900-06270	93
900-06500	91
900-06504	91
900-06504	91
900-06504	93
900-06510	91
900-06510	93
900-06510	93
900-06510	93
900-11010	87
900-11033	91
900-11035	93
900-11038	68
900-11038	93
900-11073	69
900-11156	69
900-11157	69
900-11157	70
900-16251	69
900-16251	70
900-16251	73
900-16251	74
900-16251	75
900-16251	77
900-16251	81
900-16253	65
900-16253	65
900-16255	65
900-16329	91
900-16387	91
900-16387	93
900-16391	93
900-17068	71
900-17193	63
900-17193	91

Part Number	Page
900-17193	93
900-23027	96
900-23034	71
900-23034	91
900-23034	93
900-23034	96
900-25005	68
900-25005	75
900-25005	77
900-25005	91
900-25005	93
900-27024	65
900-27024	69
900-27033	62
900-27033	63
900-27033	65
900-27033	69
900-27033	70
900-27033	91
900-27033	93
900-29170	83
900-29174	82
900-29176	68
900-29176	93
900-29182	68
900-29182	91
900-29182	93
900-29208	75
900-31003	67
900-31003	72
900-31003	77
900-31003	79
900-31005	72
900-31062	67
900-31080	93

INDEX

Part Number	Page
900-39024	87
900-39033	85
900-39047	84
901-01003	77
901-01004	69
901-01005	69
901-01005	70
901-01005	91
901-01005	93
901-01009	77
901-01015	68
901-01015	71
901-01015	91
901-01015	91
901-01015	93
901-01015	93
901-01015	96
901-01016	68
901-01016	71
901-01016	91
901-01016	93
901-01016	96
901-01017	84
901-01017	87
901-01018	84
901-01018	87
901-01023	96
901-01026	71
901-01026	91
901-01026	93
901-01027	71
901-01027	96
901-01098	87
901-01099	87
901-01112	86

Part Number	Page
901-01121	63
901-01121	91
901-01121	93
901-01136	63
901-01236	85
901-01236	86
901-01237	85
901-01265	65
901-01266	65
901-01266	91
901-01266	93
901-01267	65
901-01268	65
901-01269	65
901-01270	65
901-01270	91
901-01270	93
901-09001	71
901-09001	91
901-09001	93
901-09002	96
901-09052	87
901-09159	85
901-09203	68
901-09203	91
901-09203	93
901-09211	84
903-01109	73
903-01109	74
903-01109	93
903-01165	81
903-01173	81
903-01174	77
903-01178	77
903-01178	81

Part Number	Page
903-01314	73
903-03127	93
903-03147	73
903-03147	74
903-03147	75
903-03147	77
903-03147	79
903-03147	91
903-05040	93
903-05043	73
903-05043	74
903-05043	75
903-05043	75
903-05043	79
903-05043	91
903-05044	73
903-05044	75
903-05044	75
903-05044	77
903-05044	79
903-07979	73
903-07979	77
903-07979	81
903-07996	73
903-07996	74
903-07996	93
903-08396	93
903-15039	87
903-15041	87
903-15241	87
903-15242	87
903-15243	87
903-15244	87
903-15245	87
903-15246	87

INDEX

Part Number	Page
903-15247	87
903-15250	87
903-15251	87
903-15252	87
903-15254	87
903-15255	87
903-15264	87
903-15382	73
903-15382	74
903-15382	75
903-15382	85
903-15383	85
903-15384	85
903-15385	85
903-15386	85
903-15387	85
903-15388	85
903-15388	86
903-15389	85
903-15390	85
903-15391	85
903-15392	85
903-15403	87
903-15404	87
903-15442	73
903-15442	75
903-15442	84
903-15446	84
903-15447	84
903-15448	84
903-15449	84
903-15450	84
903-15451	84
903-15622	86
903-15623	86

Part Number	Page
903-15624	86
903-15643	86
903-15643	91
903-15643	93
903-15644	86
903-15645	86
903-15646	86
903-15647	87
903-15652	87
903-15662	86
903-15688	84
903-15689	84
903-17003	75
903-17003	83
903-17065	75
903-17065	82
903-17114	82
903-17121	83
903-17405	83
903-17493	82
903-17544	83
903-17585	82
903-17730	82
903-17853	83
903-17854	83
903-17855	83
903-17856	82
903-17856	83
903-17857	83
903-17858	83
903-17859	82
903-17859	83
903-17860	83
903-17861	83
903-17862	83

Part Number	Page
903-17863	82
903-17864	82
903-17865	82
903-17866	82
903-17867	82
903-17868	82
903-17869	82
903-17870	82
904-05225	89
904-08089	89
905-01137	84
905-01137	86
905-01159	69
905-01159	70
905-01159	91
905-01159	93
905-01228	89
905-01548	69
905-01548	70
905-01548	91
905-01548	93
905-03079	84
905-03080	69
905-03080	70
905-03080	84
905-03080	86
905-03080	91
905-03080	93
905-03089	89
905-03110	89
905-07111	68
905-09002	71
905-09002	91
905-09002	93
905-09003	96

INDEX

Part Number	Page
905-09008	71
905-09008	91
905-09008	93
905-09009	68
905-09009	91
905-09009	93
905-09009	96
905-09010	71
905-09010	91
905-09010	93
905-09011	96
905-09015	71
905-09015	91
905-09015	93
905-09078	96
905-12083	67
905-12083	91
905-12083	93
905-12084	67
905-12084	91
905-12084	93
905-12110	67
905-12142	89
905-12146	89
905-15003	86
905-15024	65
905-15024	68
905-15024	91
905-15024	93
905-15026	84
905-19003	89
905-22012	71
906-01015	88
906-01015	88
906-01030	88

Part Number	Page
906-01063	88
906-01064	88
906-01065	88
907-33634	93
B1000-076	91
B1000-076	93
S8SH.375x1.5	86

Part Number	Page
-------------	------



701 Lenham Ave. - P.O. Box 647

Cooperstown, ND 58425

Office (701) 797-2700

Fax (701) 797-2584

Toll Free (800) 797-1883

www.sheyennemfg.com

100-3-4112

Rev 3/15