



## **OWNERS MANUAL**

## **PARTS LIST**

**Sheyenne Tooling & Mfg.**

**701 Lenham Ave. - P.O. Box 647**

**Cooperstown, ND 58425**

**Office (701) 797-2700**

**Fax (701) 797-2584**

**Toll Free (800) 797-1883**

**[www.sheyennemfg.com](http://www.sheyennemfg.com)**



## Table of Contents

<b>Topic</b>	<b>Page No.</b>
<b>Table of Contents</b>	<b>1</b>
<b>Introduction</b>	<b>2</b>
<b>Serial Number Location</b>	<b>3</b>
<b>Warranty</b>	<b>4 - 6</b>
<b>Safety, Specifications and Decals</b>	<b>7</b>
<b>Features</b>	<b>8</b>
<b>General Operations</b>	<b>9</b>
<b>Dismounting A Wheel</b>	<b>10 - 12</b>
<b>Off-loading</b>	<b>12 - 13</b>
<b>Loading and Mounting A Wheel</b>	<b>13</b>
<b>Miscellaneous and Lubrication</b>	<b>14</b>
<b>Part Section</b>	<b>15 - 17</b>



# INTRODUCTION

***CONGRATULATIONS*** on your choice of the Wheel EZ, wheel changer for your farm shop, implement dealership, construction business or job site repair! This useful device has been designed and manufactured to function safely, efficiently and trouble free.

Safe operation of the machine requires that the operator reads and understands the information in this manual. Further discussion of safety will be done on page 7.

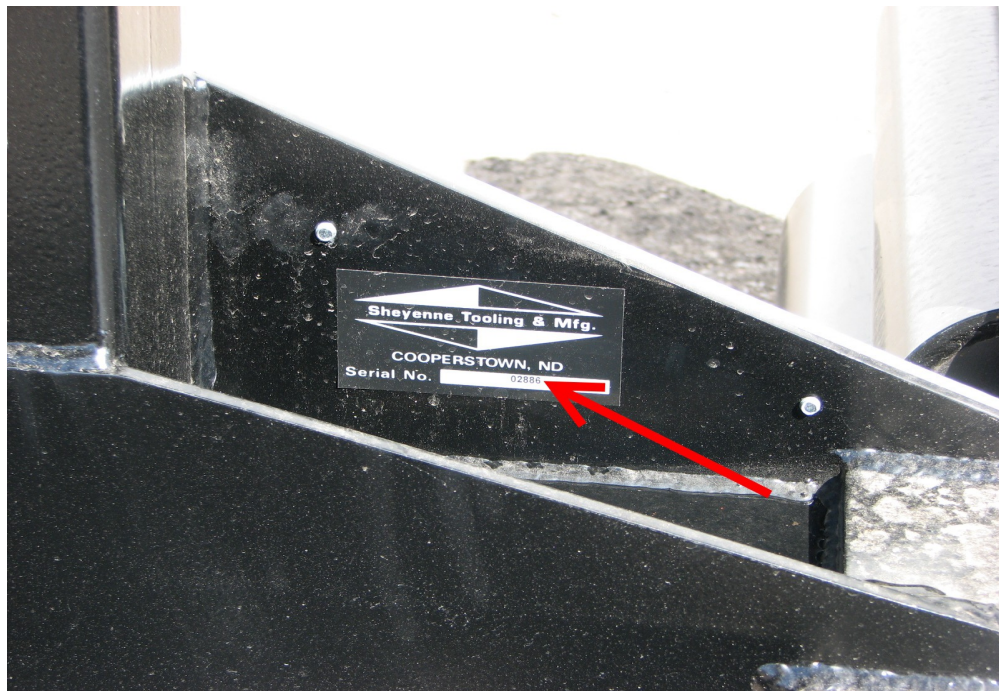
Keep this manual handy for reference.



## SERIAL NUMBER LOCATION

Give your dealer the serial number of your Wheel EZ when ordering parts or requesting service or other information.

The serial number plate is located as indicated below.



It is the responsibility of the **purchaser** and all **operator's** to **read and understand** this manual. It has been prepared to assist in the safe operation and suitable maintenance of this device. The information is applicable to the product at the time of manufacture and does not include modifications or updates made thereafter.

Serial Number \_\_\_\_\_





Please enter information below and **SAVE FOR FUTURE REFERENCE**

### WHEEL EZ WARRANTY

SHEYENNE TOOLING & MANUFACTURING warrants each new product to be free from defects in material and workmanship. This warranty is applicable only for the normal service life expectancy of the machine or components, not to exceed **twelve consecutive months** from the date of delivery of the new SHEYENNE TOOLING & MANUFACTURING product to the original purchaser.

Genuine SHEYENNE TOOLING & MANUFACTURING replacement parts and components will be warranted for 90 days from date of purchase, or the remainder of the original equipment warranty period, whichever is longer.

Under no circumstances will it cover any merchandise or components thereof, which in the opinion of the company, has been subject to negligent handling, misuse, alteration, an accident, or if repairs have been made with parts other than those obtainable through SHEYENNE TOOLING & MANUFACTURING.

Our obligation under this warranty shall be limited to repairing or replacing, free of charge to the original purchaser, any part that in our judgment shall show evidence of such defect, provided further that such part shall be returned within thirty (30) days from date of failure to SHEYENNE TOOLING & MANUFACTURING.

This warranty shall not be interpreted to render us liable for injury or damages of any kind or nature to person or property.

Except as set forth above, **SHEYENNE TOOLING & MANUFACTURING shall have no obligation of liability of any kind on account of any of its equipment and shall not be liable for special or consequential damage. SHEYENNE TOOLING & MANUFACTURING makes no other warranty, express or implied, and, specifically, SHEYENNE TOOLING & MANUFACTURING disclaims any implied warranty of merchantability of fitness for a particular purpose. Some states or provinces do not permit limitations or exclusions of implied warranties of incidental or consequential damages, so the limitations or exclusions in this warranty may not apply.**

This warranty is subject to any existing conditions of supply, which may directly affect our ability to obtain materials or manufacture replacement parts.

SHEYENNE TOOLING & MANUFACTURING reserves the right to make improvements in design or changes in specifications at any time, without incurring any obligations to owners of units previously sold.

No one is authorized to alter, modify or enlarge neither this warranty nor the exclusions, limitations and reservations.

I have read and understand the above instructions and warranty. **Warranty is invalid until all three copies are completed and signed. Customer copy retained, dealer copy in dealer's possession and manufacturer's copy returned.**

Date Purchased \_\_\_\_\_

Dealership \_\_\_\_\_

Serial Number \_\_\_\_\_

Customer Signature \_\_\_\_\_

Date \_\_\_\_\_

Dealer Signature \_\_\_\_\_

Date \_\_\_\_\_

**Customer Copy**

(Keep in this book)



Please enter information below and **SAVE FOR FUTURE REFERENCE**

## **WHEEL EZ WARRANTY**

SHEYENNE TOOLING & MANUFACTURING warrants each new product to be free from defects in material and workmanship. This warranty is applicable only for the normal service life expectancy of the machine or components, not to exceed **twelve consecutive months** from the date of delivery of the new SHEYENNE TOOLING & MANUFACTURING product to the original purchaser.

Genuine SHEYENNE TOOLING & MANUFACTURING replacement parts and components will be warranted for 90 days from date of purchase, or the remainder of the original equipment warranty period, whichever is longer.

Under no circumstances will it cover any merchandise or components thereof, which in the opinion of the company, has been subject to negligent handling, misuse, alteration, an accident, or if repairs have been made with parts other than those obtainable through SHEYENNE TOOLING & MANUFACTURING.

Our obligation under this warranty shall be limited to repairing or replacing, free of charge to the original purchaser, any part that in our judgment shall show evidence of such defect, provided further that such part shall be returned within thirty (30) days from date of failure to SHEYENNE TOOLING & MANUFACTURING.

This warranty shall not be interpreted to render us liable for injury or damages of any kind or nature to person or property.

Except as set forth above, **SHEYENNE TOOLING & MANUFACTURING shall have no obligation of liability of any kind on account of any of its equipment and shall not be liable for special or consequential damage. SHEYENNE TOOLING & MANUFACTURING makes no other warranty, express or implied, and, specifically, SHEYENNE TOOLING & MANUFACTURING disclaims any implied warranty of merchantability of fitness for a particular purpose. Some states or provinces do not permit limitations or exclusions of implied warranties of incidental or consequential damages, so the limitations or exclusions in this warranty may not apply.**

This warranty is subject to any existing conditions of supply, which may directly affect our ability to obtain materials or manufacture replacement parts.

SHEYENNE TOOLING & MANUFACTURING reserves the right to make improvements in design or changes in specifications at any time, without incurring any obligations to owners of units previously sold.

No one is authorized to alter, modify or enlarge neither this warranty nor the exclusions, limitations and reservations.

I have read and understand the above instructions and warranty. **Warranty is invalid until all three copies are completed and signed. Customer copy retained, dealer copy in dealer's possession and manufacturer's copy returned.**

---

Date Purchased \_\_\_\_\_

Dealership \_\_\_\_\_

Serial Number \_\_\_\_\_

Customer Signature \_\_\_\_\_

Date \_\_\_\_\_

Dealer Signature \_\_\_\_\_

Date \_\_\_\_\_

**Dealer Copy**





**PLEASE ENTER INFORMATION BELOW AND RETURN TO SHEYENNE TOOLING AND MANUFACTURING**

### **WHEEL EZ WARRANTY**

**SHEYENNE TOOLING & MANUFACTURING warrants each new product to be free from defects in material and workmanship. This warranty is applicable only for the normal service life expectancy of the machine or components, not to exceed twelve consecutive months from the date of delivery of the new SHEYENNE TOOLING & MANUFACTURING product to the original purchaser.**

Genuine SHEYENNE TOOLING & MANUFACTURING replacement parts and components will be warranted for 90 days from date of purchase, or the remainder of the original equipment warranty period, whichever is longer. Warranty is not applicable for normal wear and usage.

Under no circumstances will it cover any merchandise or components thereof, which in the opinion of the company, has been subject to negligent handling, misuse, alteration, an accident, or if repairs have been made with parts other than those obtainable through SHEYENNE TOOLING & MANUFACTURING.

Our obligation under this warranty shall be limited to repairing or replacing, free of charge to the original purchaser, any part that in our judgement shall show evidence of such defect, provided further that such part shall be returned within thirty (30) days from date of failure to SHEYENNE TOOLING & MANUFACTURING.

This warranty shall not be interpreted to render us liable for injury or damages of any kind or nature to person or property.

Except as set forth above, SHEYENNE TOOLING & MANUFACTURING shall have no obligation of liability of any kind on account of any of its equipment and shall not be liable for special or consequential damage. SHEYENNE TOOLING & MANUFACTURING makes no other warranty, express or implied, and, specifically, SHEYENNE TOOLING & MANUFACTURING disclaims any implied warranty of merchantability of fitness for a particular purpose. Some states or provinces do not permit limitations or exclusions of implied warranties of incidental or consequential damages, so the limitations or exclusions in this warranty may not apply.

This warranty is subject to any existing conditions of supply, which may directly affect our ability to obtain materials or manufacture replacement parts.

SHEYENNE TOOLING & MANUFACTURING reserves the right to make improvements in design or changes in specifications at any time, without incurring any obligations to owners of units previously sold.

No one is authorized to alter, modify or enlarge neither this warranty nor the exclusions, limitations and reservations.

I have read and understand the above instructions and warranty. I have also read the owner's manual and understand all safety precautions. **Warranty is invalid until all three copies are completed and signed. Customer copy retained, dealer copy in the dealer's possession and the manufacturer's copy returned.**

Date Purchased \_\_\_\_\_ Dealership \_\_\_\_\_

Serial Number \_\_\_\_\_

Customer Information: Name (Please Print) \_\_\_\_\_

Address \_\_\_\_\_

City \_\_\_\_\_, State \_\_\_\_\_, Zip Code \_\_\_\_\_

E-Mail (If Applicable) \_\_\_\_\_

Signature \_\_\_\_\_, Date \_\_\_\_\_

Dealer Signature \_\_\_\_\_ Date \_\_\_\_\_

*Please return via; fax, regular mail or e-mail; to:*  
*fax number – (701) 797-2584*  
*address --*  
**Sheyenne Tooling and Manufacturing**  
**PO Box 647**  
**Cooperstown, ND 58425**  
*e-mail – [warranty@sheyennemfg.com](mailto:warranty@sheyennemfg.com)*



## **Safety:**

The steps to dismount a wheel begins on page 10. This safety information also begins with dismounting. It is strongly recommended that the tractor, sprayer, etc. be jacked up enough to have the wheel off the floor. Use appropriate sized jack, block other wheels to avoid rolling and use normal safety practices.

The Wheel EZ changer can then be moved into position. Spread the sets of rollers far apart enough to push the changer up on both sides of the wheel and make contact with the white polyurethane panel at the base. Loosely put the safety chain around the wheel, hooking both sides into the slotted plates provided. Lift the sets of rollers to the point the wheel is about equally supported by the Wheel EZ changer and the tractor. Avoid upward pressure on the lug bolts or space for the wheel to drop when the last lug bolt is removed.

Lifting or lowering will take up slack on the chain. Make adjustments if needed, but don't leave the chain too slack. The chain must be reasonable tight when moving away from the dismount.

The Wheel EZ changer, whether empty or loaded is quite heavy. Do not be under it or have feet, hands, etc. under it.

When loading it with a forklift or bucket be certain to engage the forks or the bucket lip fully. Lift and back away, keeping the load low.

To safely off-load the wheel, select a wall or sturdy structure to lean the wheel against. Lower the wheel to the floor far enough away from the wall to form a 15 to 20 degree angle when the safety chain is unhooked and the wheel is leaned to the wall.

For loading, moving and mounting use all of these steps in reverse order. Read and follow all the instructions and Figures on pages 8 – 14. Be sure to use the safety chain at all times.

## **Specifications:**

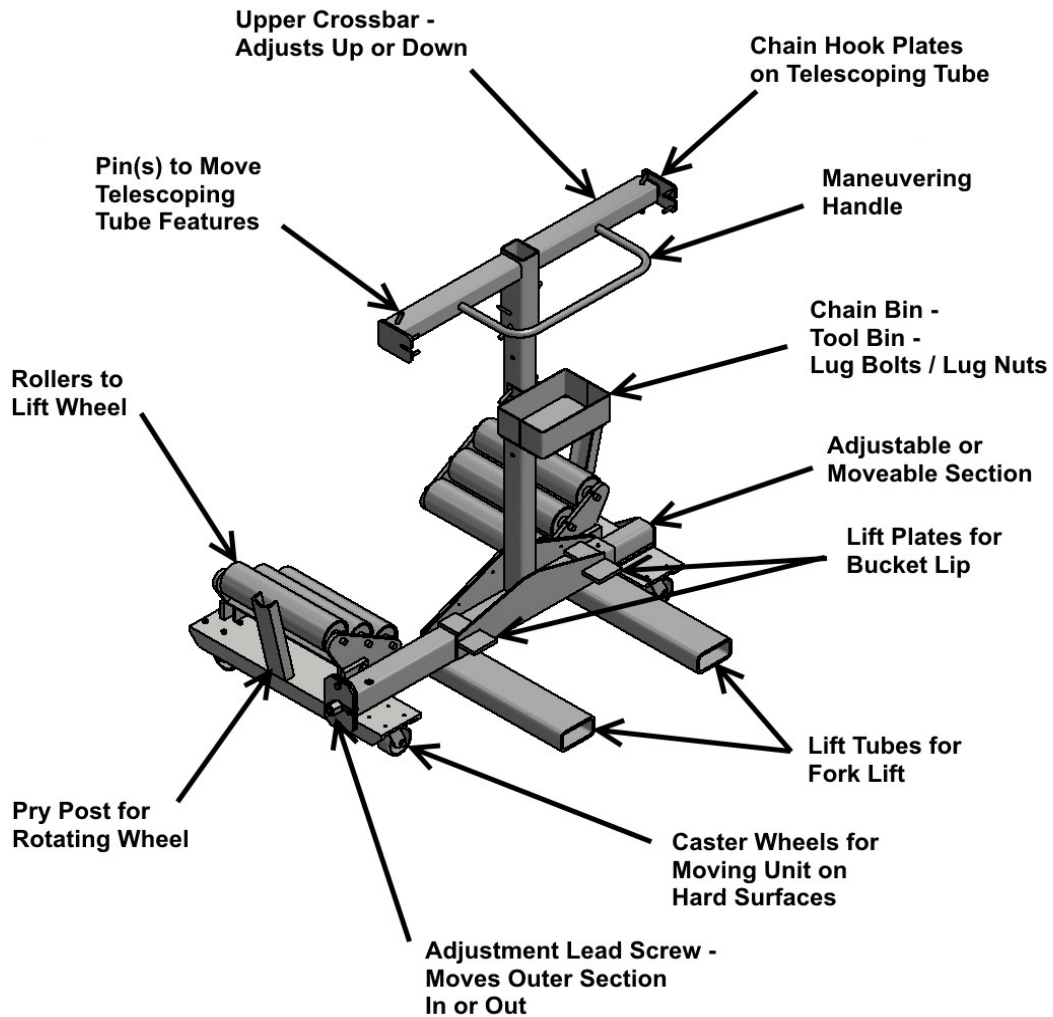
The empty Wheel EZ changer weighs 665 pounds.

It is 60" high, 51" deep, front to back and 54" wide when closed to it's narrowest.

## **Decals:**

The wheel changer has one identification decal on the top crossbar and the serial number decal that is shown on page 3.

# Features



**Adjusts for Larger or Smaller Wheels**

**Mounts or Dismounts Wheels**

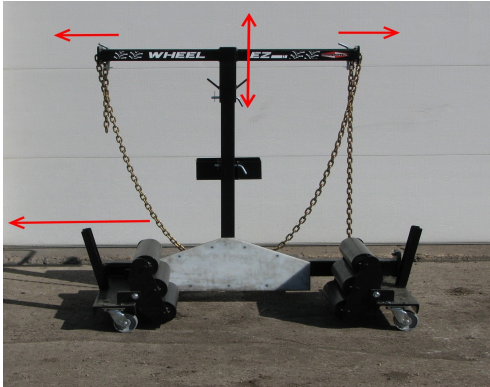
## **Wheel Changer and Handler**

Figure 1.



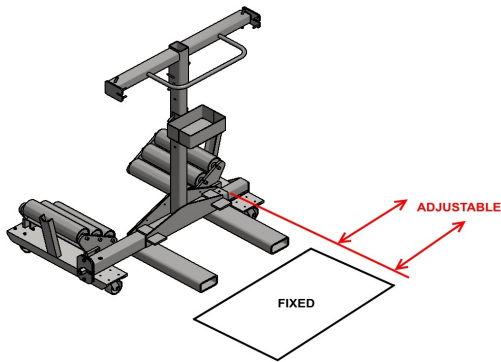
# General Operations

The main features of the Wheel EZ changer are shown in **Fig. 1**, page 8. Become familiar with them. The operations information here will use terms from that page.



**Figure 2.**

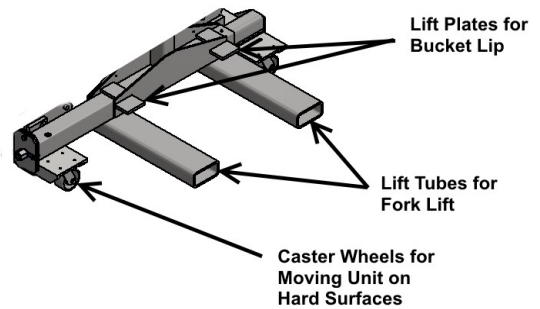
The upper horizontal arrows here indicate that the crossbar has telescoping extensions that accommodate wider or narrower wheels. The vertical arrows make similar adjustment for taller or shorter wheels. The lower arrow shows the adjustable section that accommodates smaller or larger wheels on or near floor level.



**Figure 3.**

The above illustration views the wheel changer from the opposite side. It shows the point where the two sections telescope.

**Fig. 1** on page 8 and the detail below, show provision for three ways to move the wheel changer. Forklift tines in the tubes are the probably the best way to handle the loaded wheel changer. Exercise safety when performing any of these operations!



## DISMOUNTING A WHEEL



**Figure 4.**

**Fig. 4** shows the Wheel EZ positioned to remove a wheel from a sprayer. It is required that the wheel being removed is **not** bearing load. This is done by jacking the tractor, sprayer, etc. up. Do not attempt to lift the whole machine. The Wheel EZ is designed to lift the wheel only. The changer is adjustable (up and down) and movable left - right and toward the machine and away. The vertical adjustment is accomplished by turning the lead screw in.



**Figure 5.**

See the red arrow above. As the outer section comes in, it lifts the wheel.



**Figure 6.**

An air wrench is helpful in this step. Use this adjustment to carefully support and position the wheel. Avoid any damage to lug bolts as weight shifts from the tractor to the wheel changer and the wheel is moved away. Make **sure** the restraining chain is hooked and is holding the wheel upright, **Fig. 6**. Then it is safe to move the wheel away.



**Figure 7.**

An air wrench does the lifting and lowering.

## DISMOUNTING A WHEEL (cont.)



**Figure 8.**

View of the safety chain securing the wheel to the upright post and the cross arms.



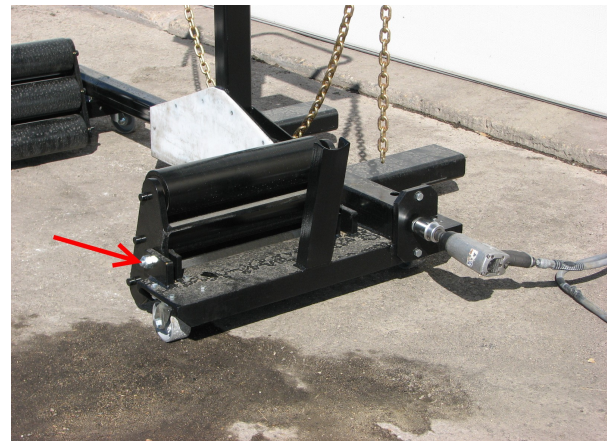
**Figure 9.**

**Fig. 9** shows a forklift being used to move a wheel.



**Figure 10.**

Detail of the adjustable section that lifts the wheel. It also accommodates larger and smaller wheels.



**Figure 11.**

Each set of rollers pivot to support different sized wheel.

## DISMOUNTING A WHEEL (cont.)



**Figure 12. Other ways to transport**

**Fig. 12** covers the other two ways of moving the wheel and the wheel changer.

The red arrows point to two lift plates. A loader mounted bucket can be placed as the white arrows show, over the tubes and under the lift plates. The bucket edge needs to be fully under the lift plates for safe operation.

The wheel and wheel changer can also be manually moved over any smooth hard surface by using the four caster wheels mounted under the unit (blue arrows above) and close-up below.



**Figure 13. Caster wheel**

## OFF-LOADING A WHEEL



**Figure 14. Positioning**

If the wheel needs to be off-loaded, move to a location that can safely support the wheel in a nearly vertical position.



**Figure 15. Lowering**

Lower the wheel by spreading the lower section until the weight of it rests on the floor or ground. Unhook the safety chain and lean the wheel against a wall or similar sturdy structure, **Fig. 15**. Move the Wheel EZ back.

## OFF-LOADING A WHEEL (cont.)



**Figure 16.** Safely supported

## LOADING A WHEEL

To load a wheel resting on the floor, do steps shown in **Fig. 16, 15** and **14** and the associated descriptions in reverse order.

## MOUNTING A WHEEL

The Wheel EZ is uniquely useful when mounting a wheel! The vertical height, the left – right location and the rotation of the wheel are all readily adjustable. All of this is done without much manual effort and while the wheel is safely restrained!

The vertical height is set by turning the lead screw in or out as shown earlier in the dismounting procedure ( pages 10 - 12).

The left – right is done manually or by side-shift, if your fork-lift has that feature.

Rotating the wheel to get good hole alignment is done by using one or the other posts on the changer. See **Fig. 17**.



**Figure 17.** Pry Post



**Figure 18.** Rotating the wheel  
Rotating the wheel to align rim holes with the tapped holes in the hub or rim holes with captive lug studs.

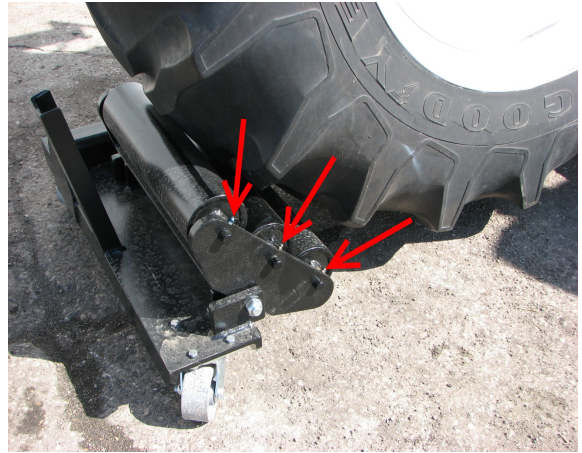
## MISCELLANEOUS



**Figure 19.** Bin

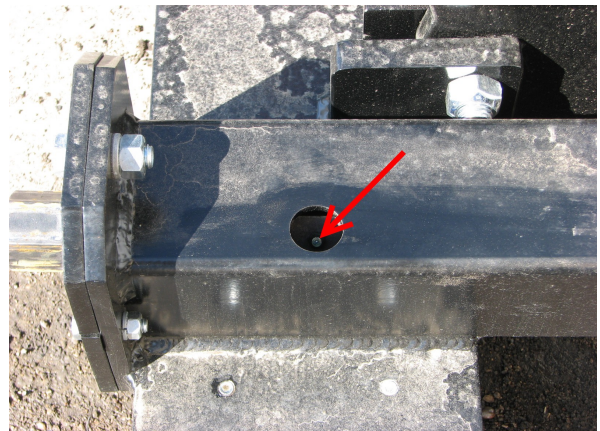
A chain bin is mounted on the mast as shown. It can also serve as a tool holder while working with the Wheel EZ. Lug bolts or lug nuts can be put here to keep them off the floor.

## LUBRICATION



**Figure 20.** Zerks

The rollers have grease zerks at each end as shown in Fig. 20. Grease periodically.



**Figure 21.**

The lead screw has a grease zerk as shown above.

There is also a zerk to grease the sliding tube at the other end of the tube shown.

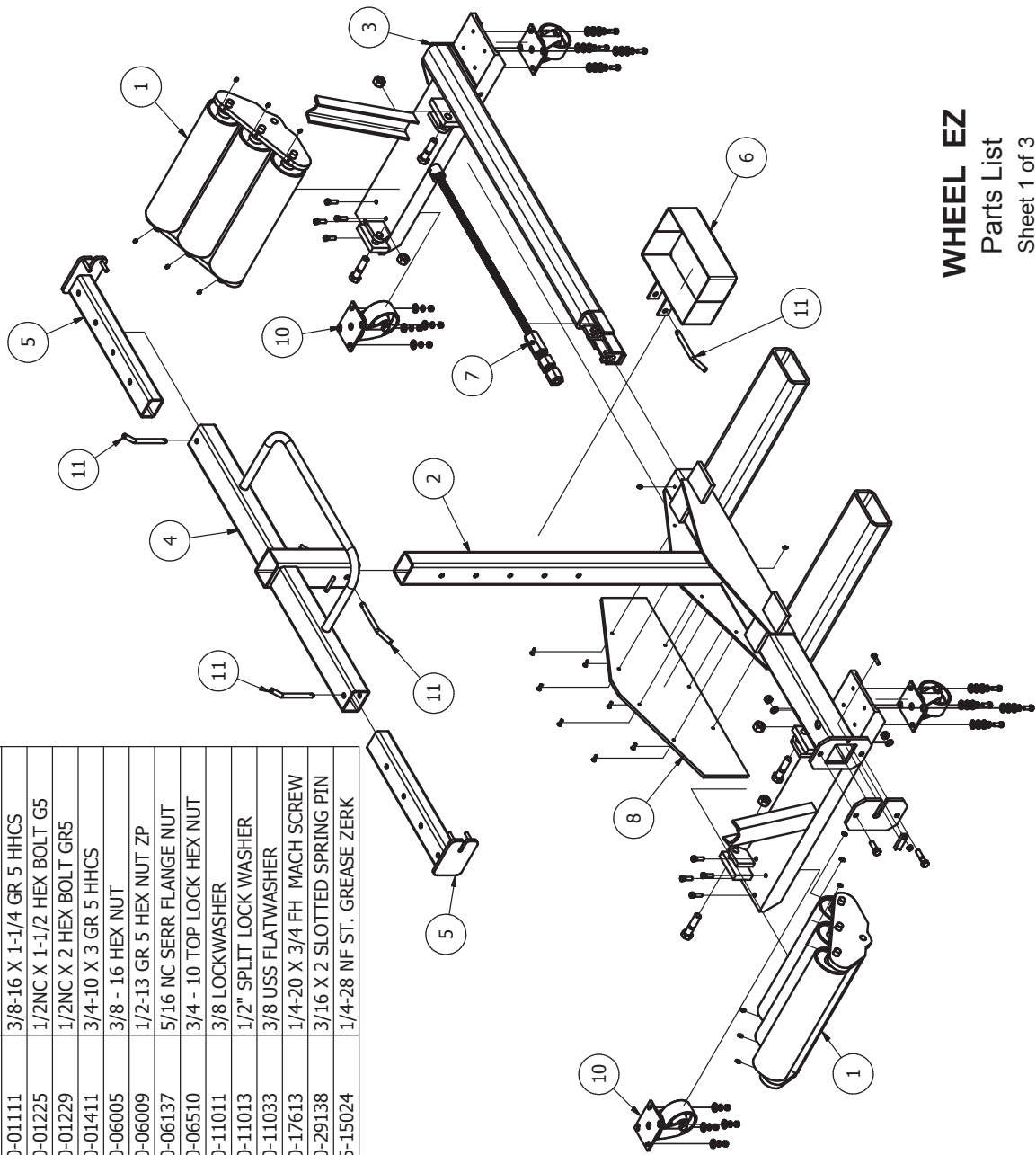


**Figure 22.**

Each caster wheel has two grease zerks as shown here.

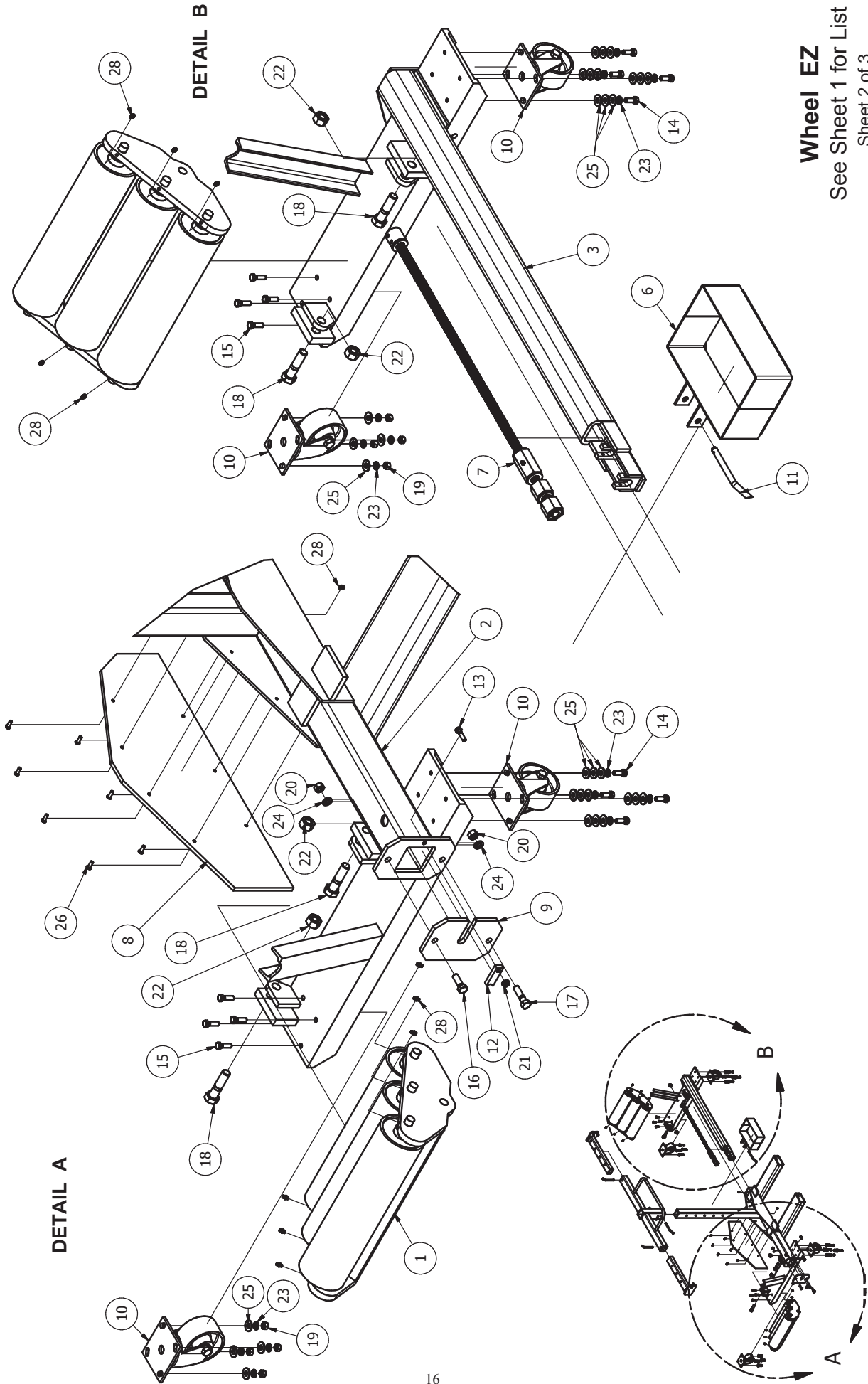


PARTS LIST		PARTS LIST	
ITEM QTY	PART NUMBER	DESCRIPTION	DESCRIPTION
1	2	370-2-0004	ROLLER ASSEMBLY
2	1	370-2-0007	MAIN FRAME W/A
3	1	370-2-0008	SLIDE FRAME W/A
4	1	370-2-0009	CROSS TUBE WELDMENT
5	2	370-2-0010	SLIDE ARM WELDMENT
6	1	370-2-0011	TOOL BIN W/A
7	1	370-2-0014	SLIDE SHAFT ASSEMBLY
8	1	370-3-0013	SLIDE PLATE
9	1	370-3-0046	END CAP
10	4	370-3-0051	CASTER, 4X2, SWIVEL
11	4	370-3-0052	PIN, BENT 1/2 X 4 ZP W/COTTER
12	1	370-3-0055	RETAINER, SLIDE SHAFT
13	1	900-01061	5/16NC X 1-1/4 HEX BOLT G5
14	8	900-01109	3/8-16 X 1 GR 5 HHCS
15	8	900-01111	3/8-16 X 1-1/4 GR 5 HHCS
16	1	900-01225	1/2NC X 1-1/2 HEX BOLT G5
17	1	900-01229	1/2NC X 2 HEX BOLT GR5
18	4	900-01411	3/4-10 X 3 GR 5 HHCS
19	8	900-06005	3/8 - 16 HEX NUT
20	2	900-06009	1/2-13 GR 5 HEX NUT ZP
21	1	900-06137	5/16 NC SERR FLANGE NUT
22	4	900-06510	3/4 - 10 TOP LOCK HEX NUT
23	16	900-11011	3/8 LOCKWASHER
24	2	900-11013	1/2" SPLIT LOCK WASHER
25	32	900-11033	3/8 USS FLATWASHER
26	7	900-17613	1/4-20 X 3/4 FH MACH SCREW
27	2	900-29138	3/16 X 2 SLOTTED SPRING PIN
28	14	905-15024	1/4-28 NF ST. GREASE ZERK



**WHEEL EZ**  
 Parts List  
 Sheet 1 of 3

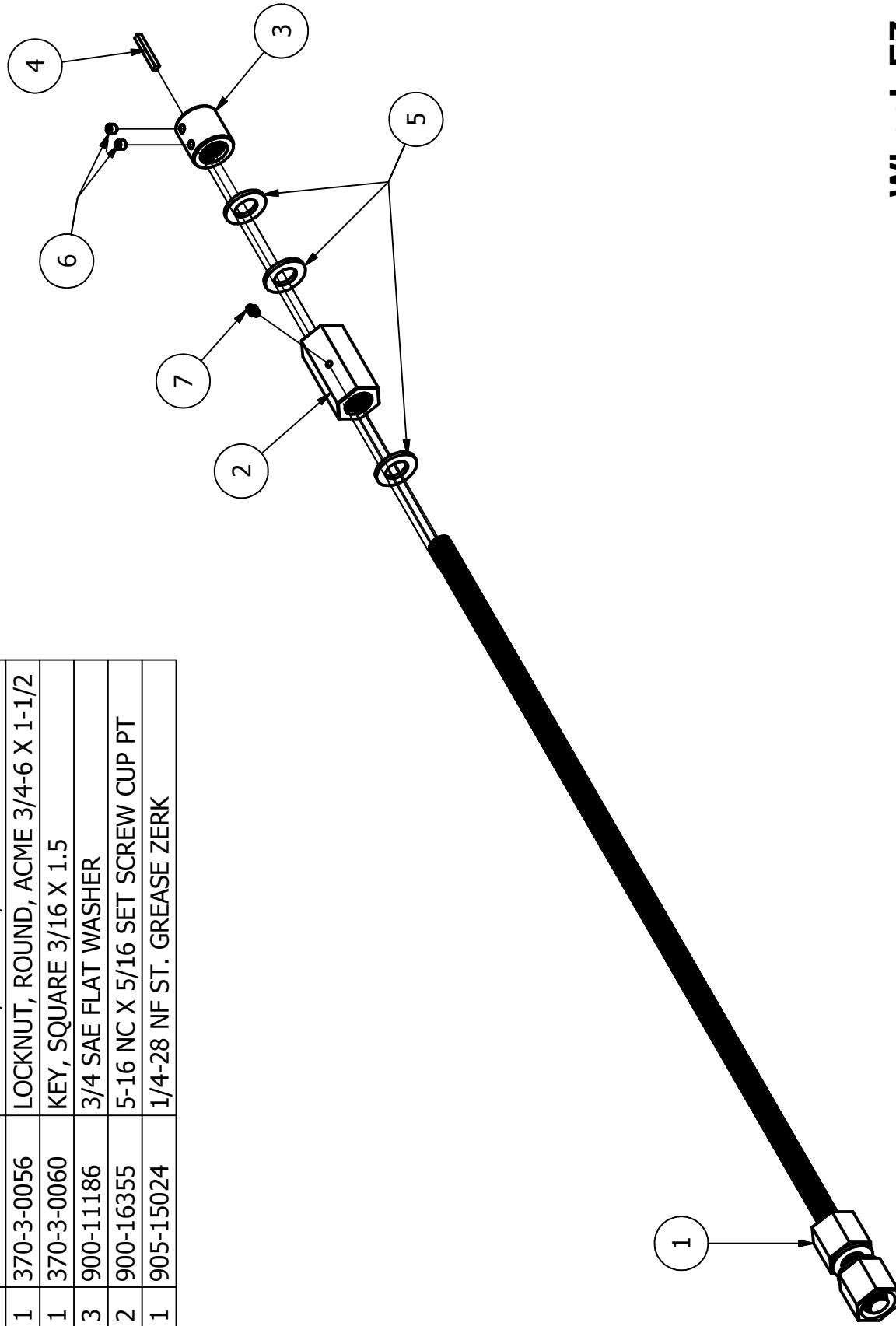




**Wheel EZ**  
 See Sheet 1 for List  
 Sheet 2 of 3



PARTS LIST			
ITEM	QTY	PART NUMBER	DESCRIPTION
1	1	370-2-0013	SLIDE SHAFT WELDMENT
2	1	370-3-0033	HEX NUT, ACME 3/4-6 X 3
3	1	370-3-0056	LOCKNUT, ROUND, ACME 3/4-6 X 1-1/2
4	1	370-3-0060	KEY, SQUARE 3/16 X 1.5
5	3	900-11186	3/4 SAE FLAT WASHER
6	2	900-16355	5-16 NC X 5/16 SET SCREW CUP PT
7	1	905-15024	1/4-28 NF ST. GREASE ZERK



**Wheel EZ**  
 Detail of Item 7  
 from Sheet 1 & 2  
 Sheet 3 of 3







**701 Lenham Ave. - P.O. Box 647**

**Cooperstown, ND 58425**

**Office (701) 797-2700**

**Fax (701) 797-2584**

**Toll Free (800) 797-1883**

**[www.sheyennemfg.com](http://www.sheyennemfg.com)**